



# INSTALLATION INSTRUCTIONS

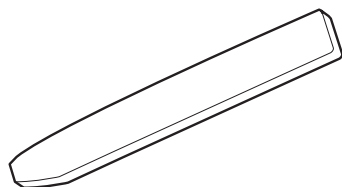
Accessory  
**WOOD-GRAIN TRIM  
PANEL - NAVI  
P/N 08Z03-S9V-100C**

Application  
**2003 PILOT EX  
(WITH NAVI)**

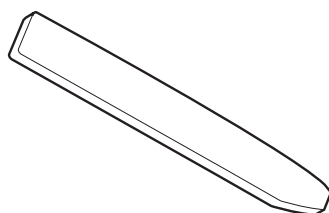
Publications No.  
**All 23637**  
Issue Date  
**MAY 2002**

## PARTS LIST

Right lower console trim



Left lower console trim



## SUPPLIES REQUIRED

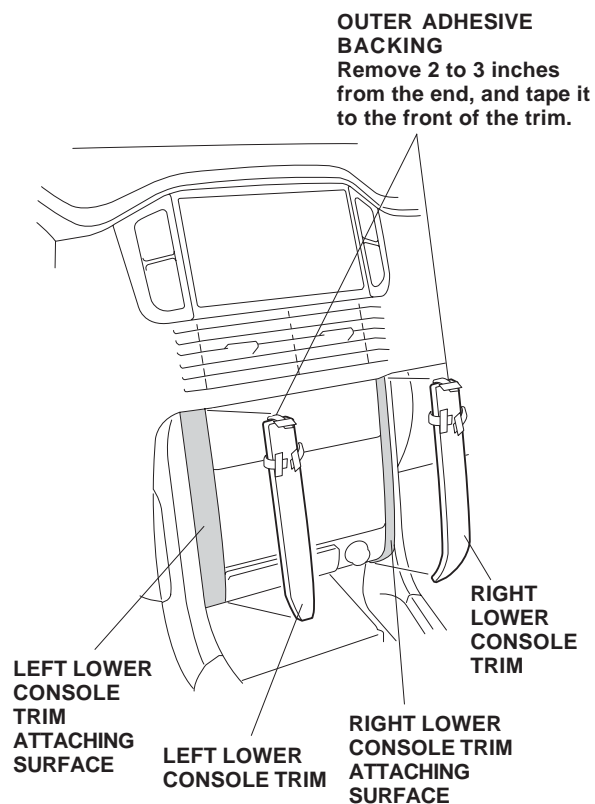
Isopropyl alcohol  
Shop towel  
Masking tape

## INSTALLATION

**NOTE:** This wood trim kit should be installed only if the outside air temperature is 60°F (15°C) or above.

1. Using isopropyl alcohol on a shop towel, thoroughly clean the areas where the wood-grain trims will attach.
2. Attach a strip of masking tape to the end of each outer adhesive backing, and remove 2 to 3 inches of the adhesive backing. Fold the ends back, and tape them to the front of the trims. If necessary, remove and discard the inner adhesive backings.
3. Position the trims on the existing panels. While applying light pressure on the trims, carefully remove the adhesive backings.

4. After installing the trims, use the palm of your hand to hold pressure against the trims for 30 seconds.



## USE AND CARE

Use a sponge or soft cloth dampened with mild detergent and water solution. After cleaning, wipe with a clean, soft cloth. Do not use cleaners or polishers containing compounds to clean the wood-grain trims as they may damage the surface.