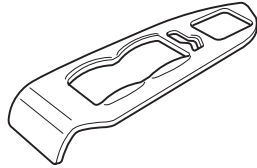


INSTALLATION INSTRUCTIONS

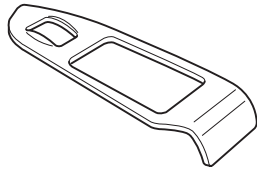
Accessory	Application	Publications No.
WOOD-GRAIN TRIM PANEL - INTERIOR P/N 08Z03-S9V-100A	2003 PILOT	All 23636
		Issue Date
		MAY 2002

PARTS LIST

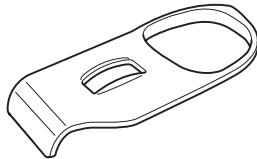
Driver's front door switch trim



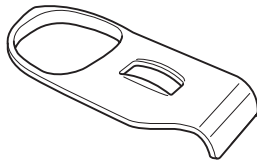
Passenger's front door switch trim



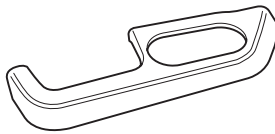
Driver's side rear door switch trim



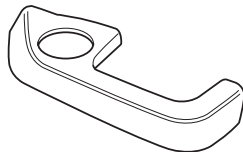
Passenger's side rear door switch trim



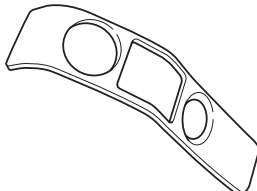
Driver's rear side switch trim



Passenger's rear side switch trim



Console trim



SUPPLIES REQUIRED

- Isopropyl alcohol
- Shop towel
- Masking tape

INSTALLATION

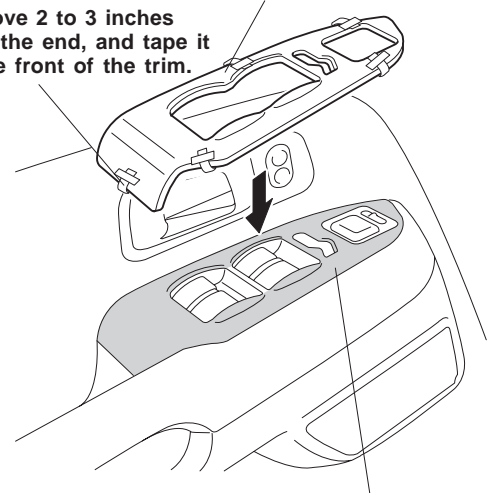
NOTE: This wood trim kit should be installed only if the outside air temperature is 60°F (15°C) or above.

- Using isopropyl alcohol on a shop towel, thoroughly clean the areas where the wood-grain trims will attach.
- Attach a strip of masking tape to the end of each outer adhesive backing, and remove 2 to 3 inches of the adhesive backing. Fold the ends back, and tape them to the front of the trims. If necessary, remove and discard the inner adhesive backings.
- Position the trims on the existing panels. While applying light pressure on the trims, carefully remove the adhesive backings.
- After installing the trims, use the palm of your hand to hold pressure against the trims for 30 seconds.
- Remove the plastic protector from each trim piece.

Left Front Switch Trim:

OUTER ADHESIVE BACKING **DRIVER'S FRONT DOOR SWITCH TRIM**

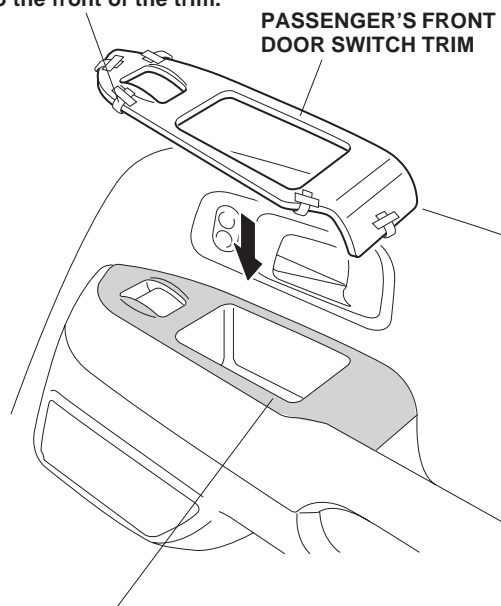
Remove 2 to 3 inches from the end, and tape it to the front of the trim.



DRIVER'S FRONT DOOR

Right Front Switch Trim:

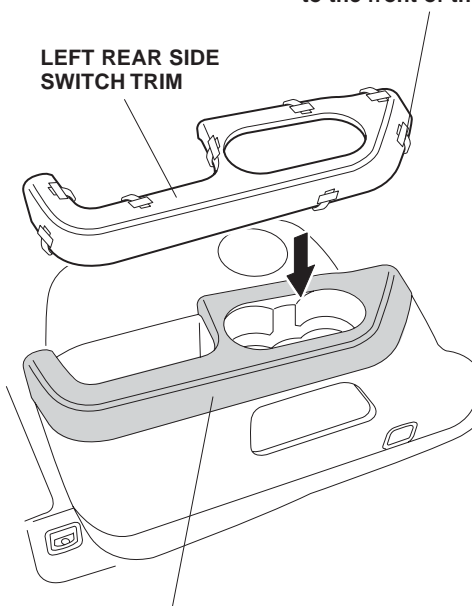
OUTER ADHESIVE BACKING
Remove 2 to 3 inches from the end, and tape it to the front of the trim.



PASSENGER'S FRONT DOOR SWITCH TRIM ATTACHING SURFACE

Left Rear Side Switch Trim:

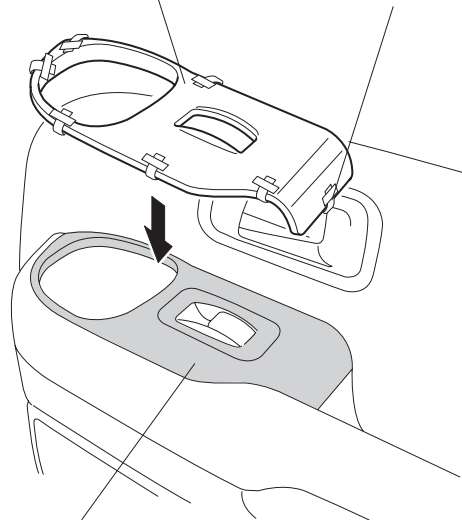
OUTER ADHESIVE BACKING
Remove 2 to 3 inches from the end and tape it to the front of the trim.



LEFT REAR SIDE SWITCH TRIM ATTACHING SURFACE

Right and Left Rear Door Switch Trims:

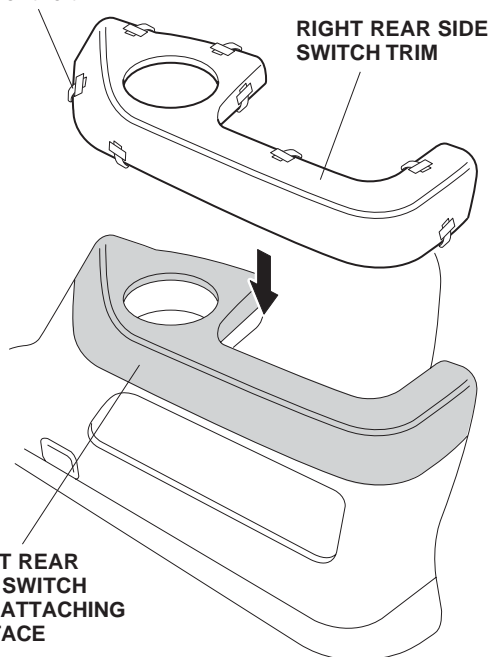
REAR DOOR SWITCH TRIM
OUTER ADHESIVE BACKING
Remove 2 to 3 inches from the end, and tape it to the front of the trim.



REAR DOOR SWITCH TRIM ATTACHING SURFACE

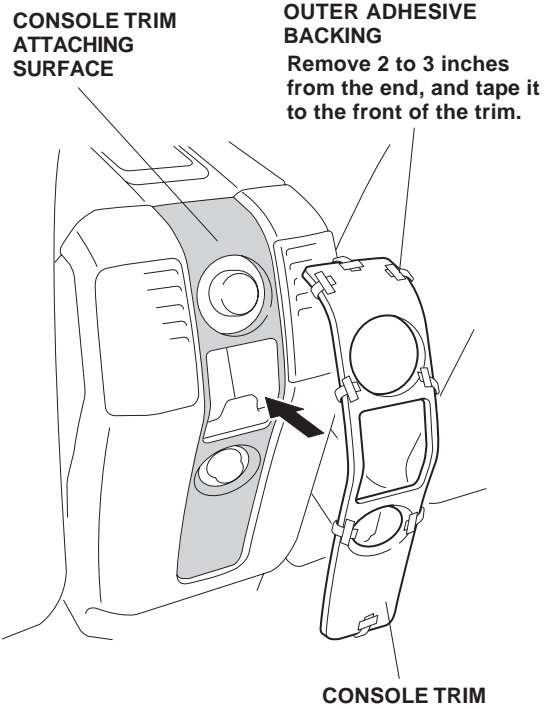
Right Rear Side Switch Trim:

OUTER ADHESIVE BACKING
Remove 2 to 3 inches from the end, and tape it to the front of the trim.



RIGHT REAR SIDE SWITCH TRIM ATTACHING SURFACE

Console Trim:



USE AND CARE

Use a sponge or soft cloth dampened with mild detergent and water solution. After cleaning, wipe with a clean, soft cloth. Do not use cleaners or polishers containing compounds to clean the wood-grain trims as they may damage the surface.