



INSTALLATION INSTRUCTIONS

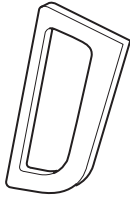
Accessory
**WOOD-GRAIN TRIM
PANEL - DASH
P/N 08Z03-S9V-100**

Application
2003 PILOT

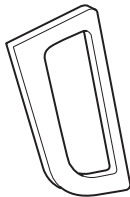
Publications No.
All 23635
Issue Date
MAY 2002

PARTS LIST

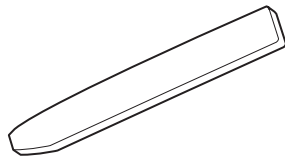
Right dashboard center trim



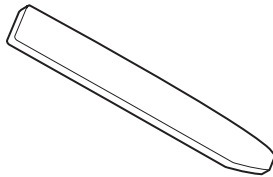
Left dashboard center trim



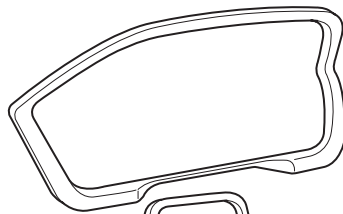
Right lower console trim



Left lower console trim



Meter trim



Right air outlet trim



Left air outlet trim



SUPPLIES REQUIRED

Isopropyl alcohol

Shop towel

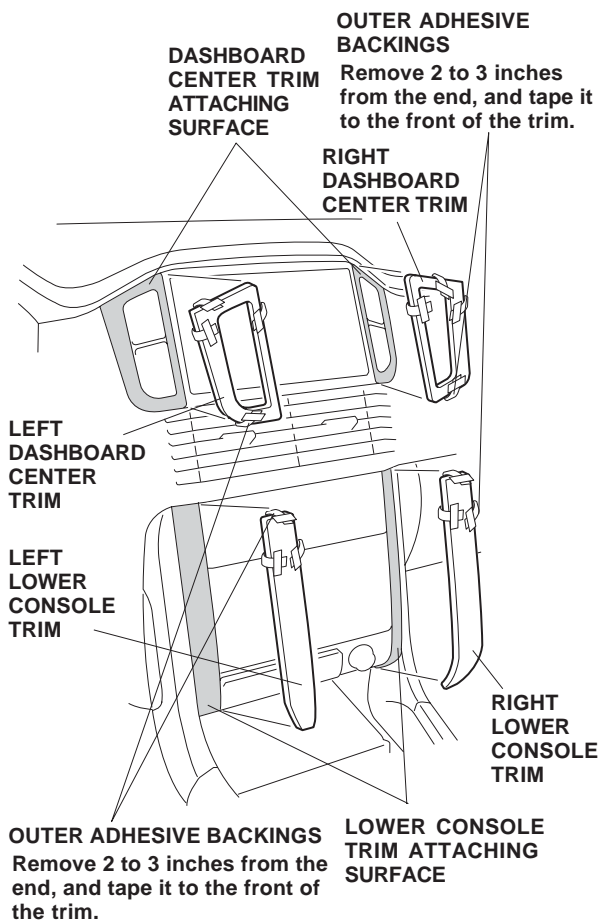
Masking tape

INSTALLATION

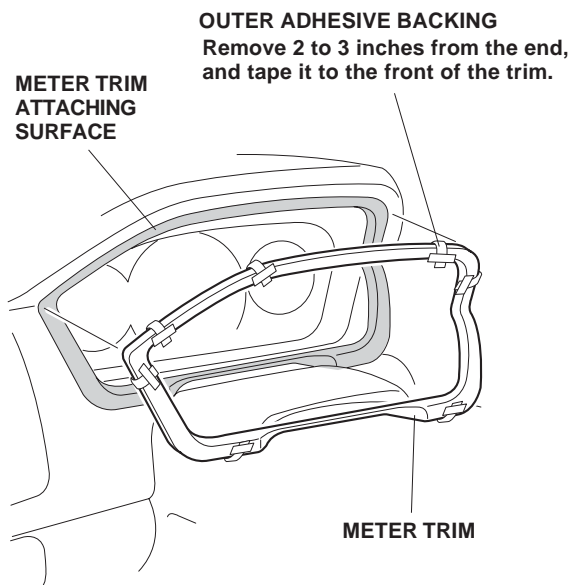
NOTE: This wood trim kit should be installed only if the outside air temperature is 60°F (15°C) or above.

1. Using isopropyl alcohol on a shop towel, thoroughly clean the areas where the wood-grain trims will attach.
2. Attach a strip of masking tape to the end of each outer adhesive backing, and remove 2 to 3 inches of the adhesive backing. Fold the ends back, and tape them to the front of the trims. If necessary, remove and discard the inner adhesive backings.
3. Position the trims on the existing panels. While applying light pressure on the trims, carefully remove the adhesive backings.
4. After installing the trims, use the palm of your hand to hold pressure against the trims for 30 seconds.

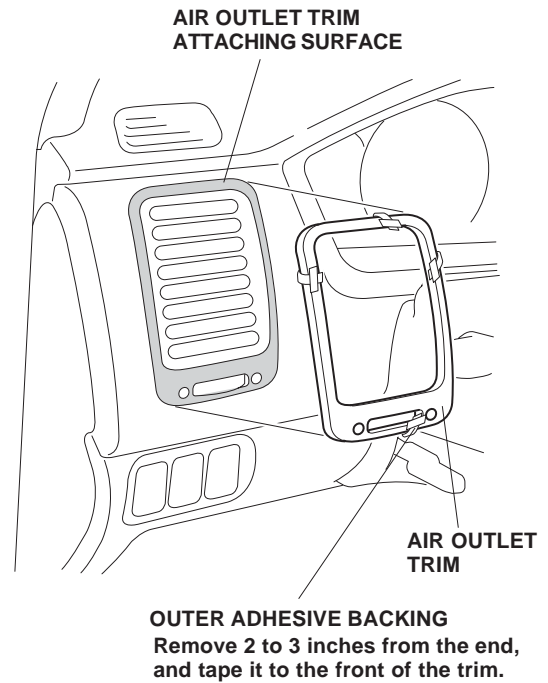
Right and Left Dashboard Center Trims/ Lower Console Trims:



Meter Trim:



Right and Left Air Outlet Trims:



USE AND CARE

Use a sponge or soft cloth dampened with mild detergent and water solution. After cleaning, wipe with a clean, soft cloth. Do not use cleaners or polishers containing compounds to clean the wood-grain trims as they may damage the surface.