



# INSTALLATION INSTRUCTIONS

Accessory

**HOOD SWITCH KIT  
P/N 08E49-S9V-100**

Application

**2003 PILOT LX**

Publications No.

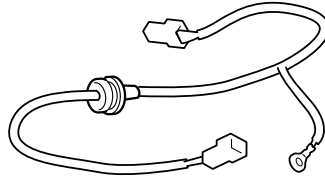
**All 23629**

Issue Date

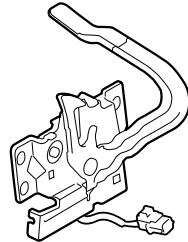
**MAY 2002**

## PARTS LIST

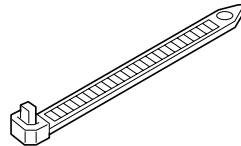
Hood switch harness



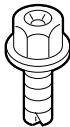
Hood switch



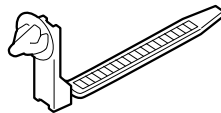
18 Wire ties



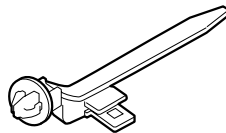
Ground bolt



Offset wire tie



Wire tie with holder



## TOOLS AND SUPPLIES REQUIRED

Flat-tip screwdriver

10 mm Combination wrench

Ratchet

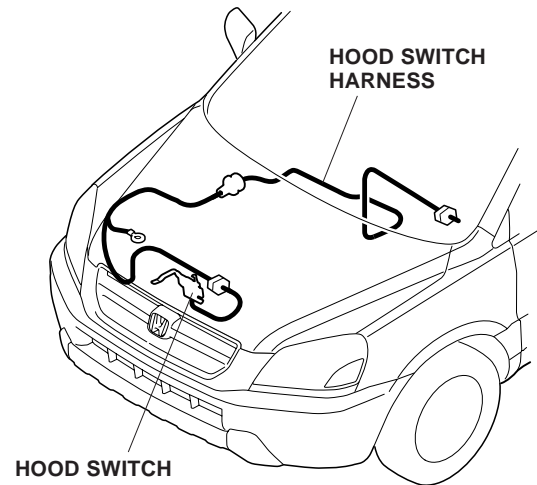
10 mm Socket

Diagonal cutters

Felt-tip pen

10 mm Box-end wrench

## Illustration of the Security System installed on the Vehicle

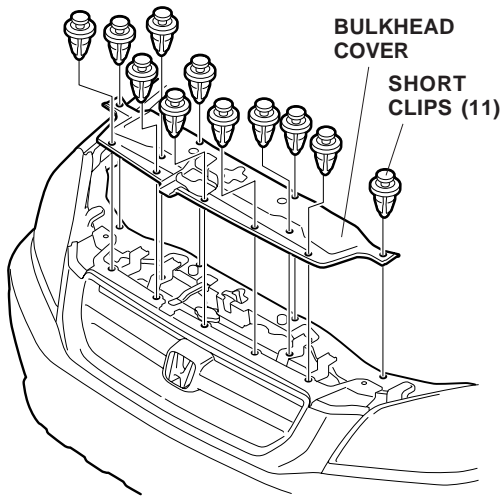


## INSTALLATION

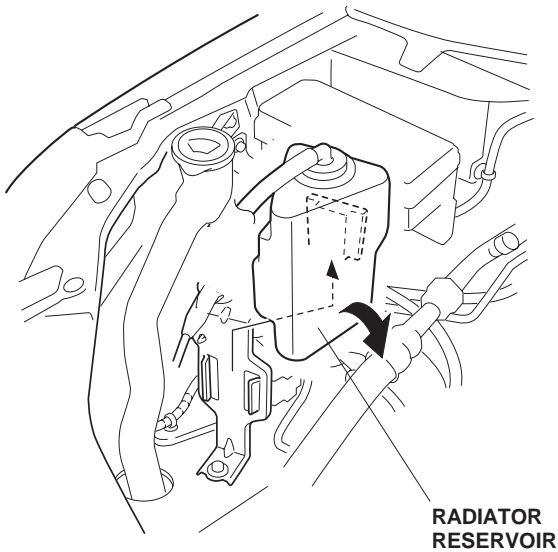
**Customer Information:** The information in this installation instruction is intended for use only by skilled technicians who have the proper tools, equipment, and training to correctly and safely add equipment to your vehicle. These procedures should not be attempted by "do-it-yourselfers."

1. Make sure you have the anti-theft code for the radio, then write down the frequencies for the preset buttons.
2. Disconnect the negative cable from the battery.

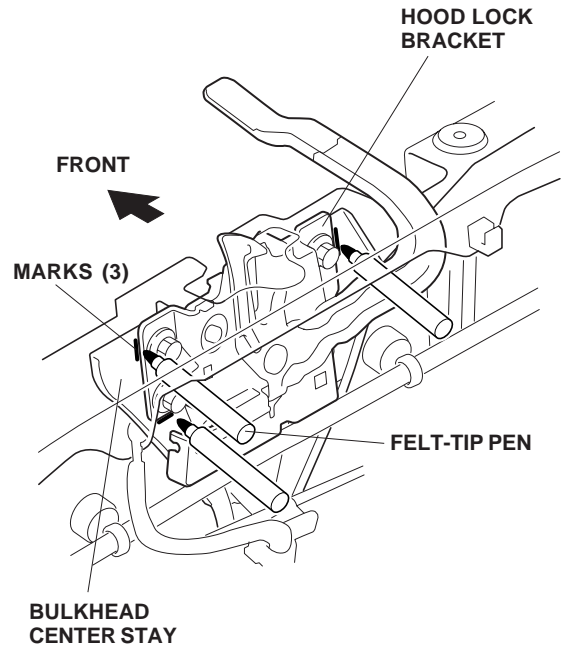
3. Open the hood, and remove the bulkhead cover (11 short clips).



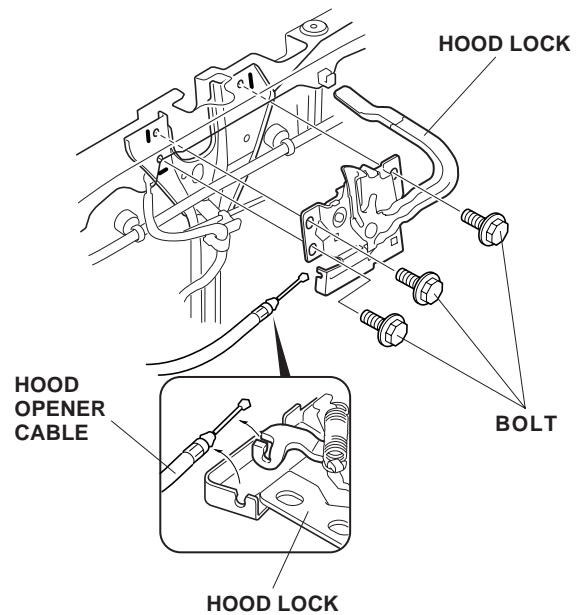
4. Lift the radiator reservoir up, and move it out of the way.



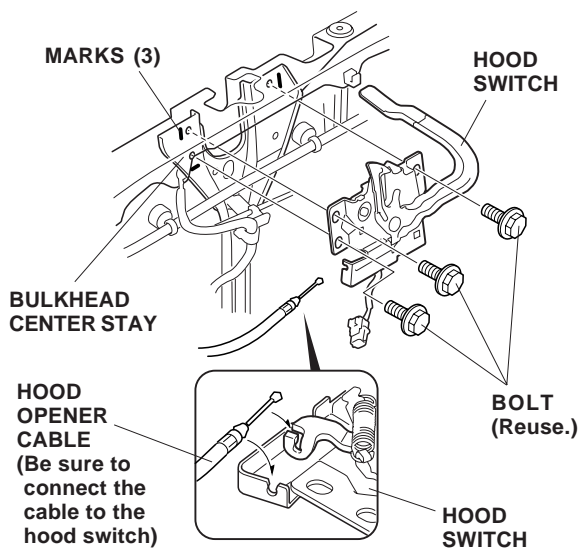
5. Using the felt-tip pen, mark the bulkhead center stay at three locations where the hood lock bracket is positioned.



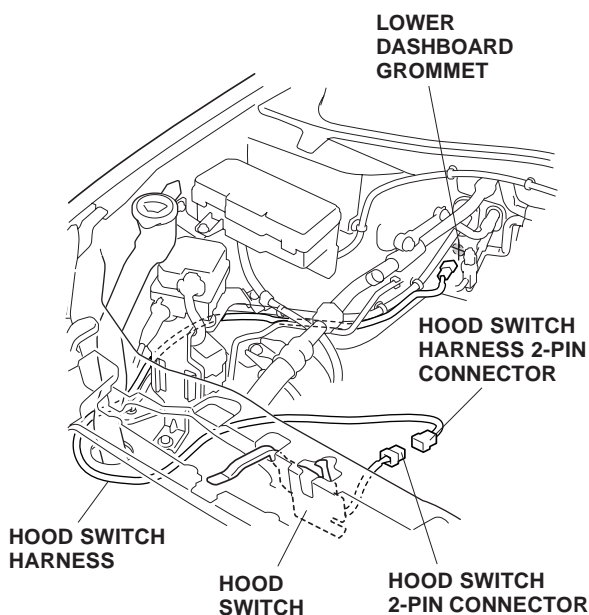
6. Unscrew the three bolts that secure the hood lock, then remove the hood opener cable from the hood lock.



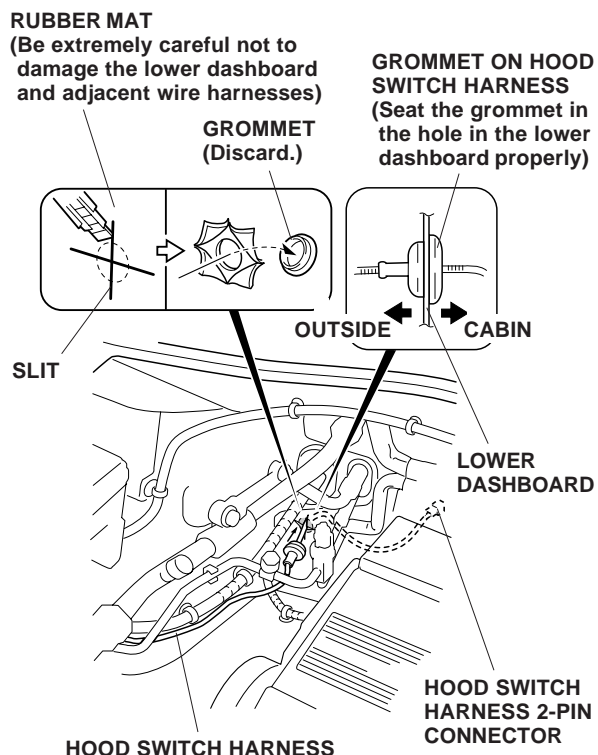
7. Connect the hood opener cable to the hood switch, and position the hood switch on the bulkhead center stay by aligning the holes in the switch with the marks made in step 5. Temporarily install the three bolts. Shut the hood, and check that the alignment of the new hood switch and the hood latch is correct, and check that the hood is latched securely. When you're satisfied with the results, open the hood, and tighten the hood latch bolts securely.



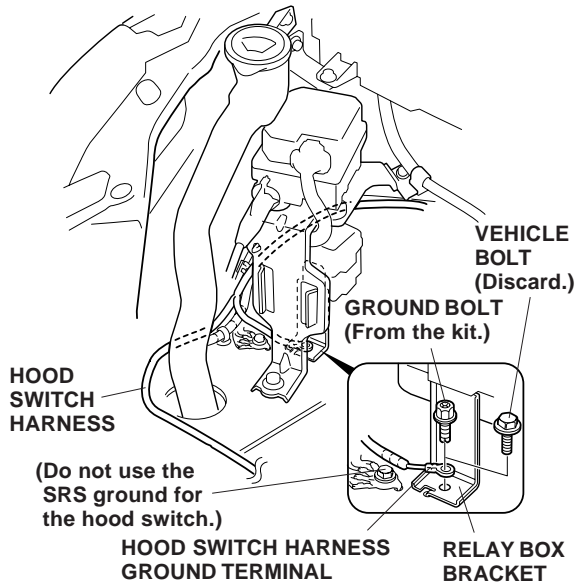
8. Connect the 2-pin connector of the hood switch harness to the 2-pin connector of the hood switch, then route the hood switch harness to the grommet on the lower dashboard along the vehicle harness.



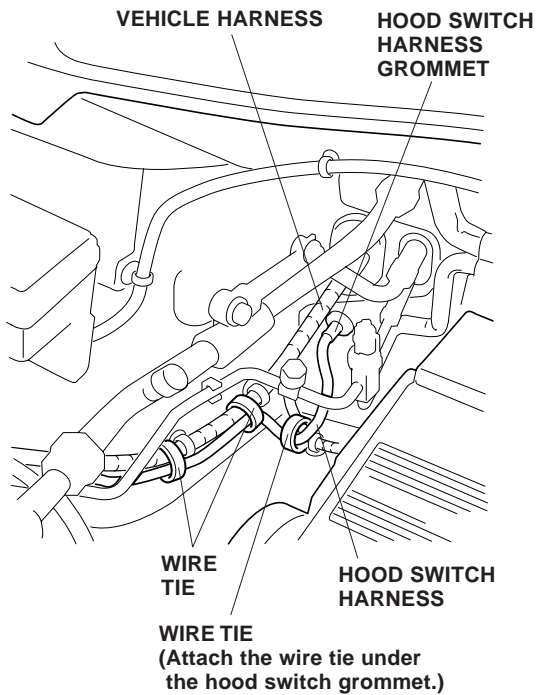
9. Using a utility knife, make a crosscut in the rubber mat as indicated by the slits so that the grommet concealed under the mat is exposed. Lift the rubber mat and remove the grommet from the lower dashboard, then route the 2-pin connector of the hood switch harness into the cabin. Seat the grommet on the hood switch harness in the hole in the lower dashboard properly.



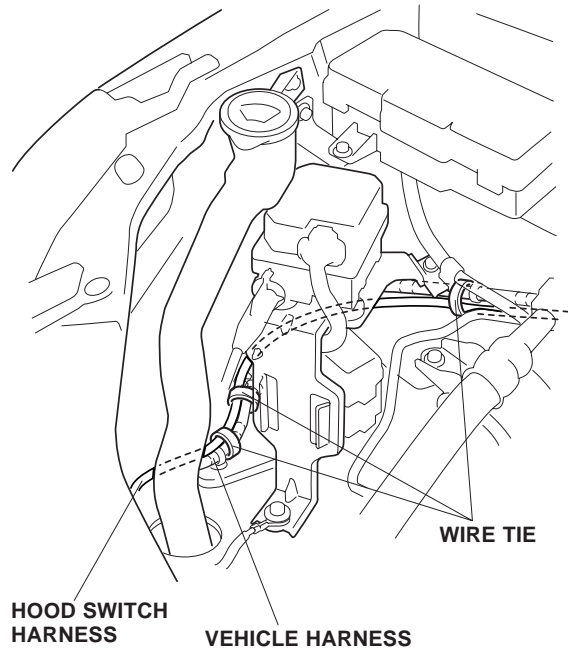
10. Remove and discard the bolt that secures the relay box bracket to the vehicle body, and secure the ground terminal of the hood switch harness with the ground bolt from the kit. Do not use the existing SRS ground for the hood switch.



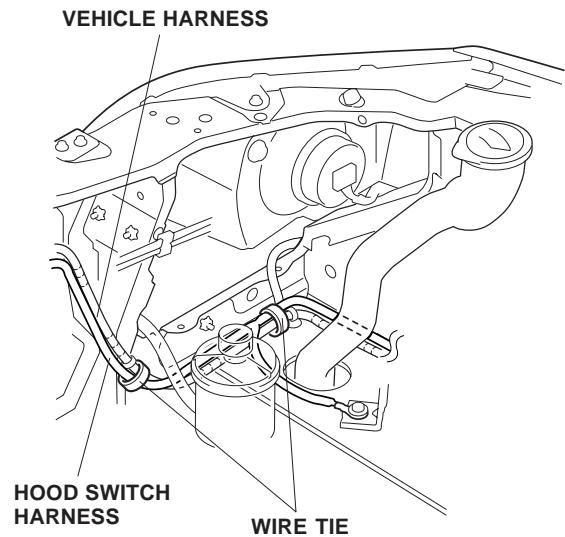
11. Secure the hood switch harness to the vehicle harness with three wire ties in the areas shown.



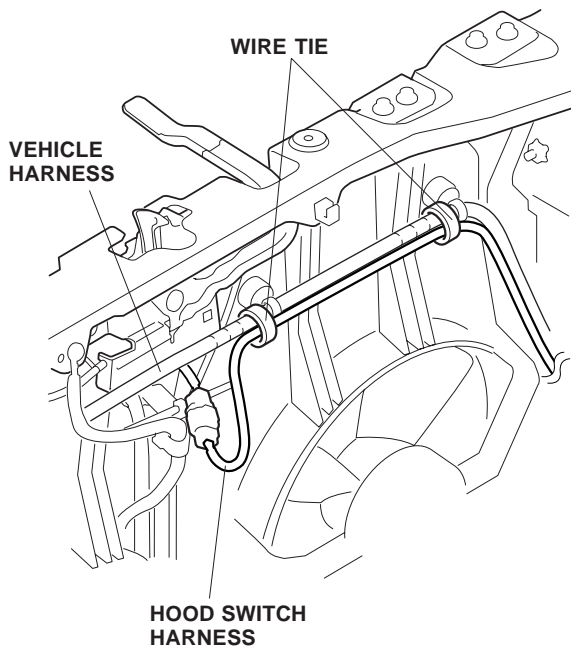
12. Secure the hood switch harness to the vehicle harness with three wire ties in the areas shown.



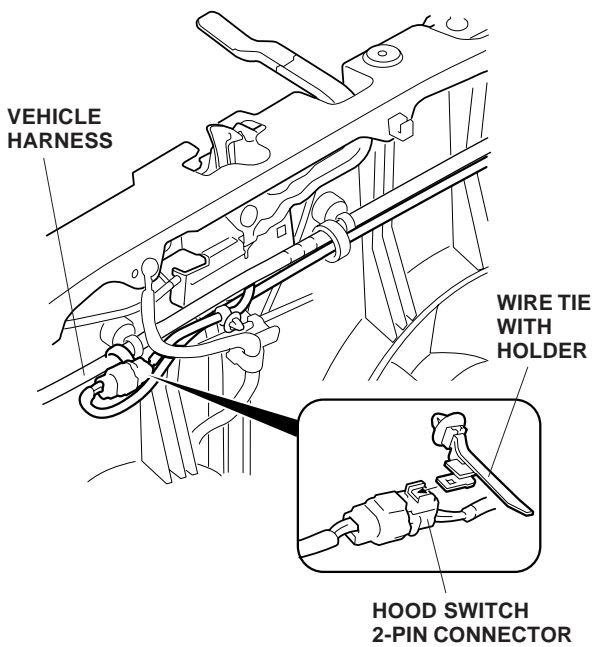
13. Secure the hood switch harness to the vehicle harness with two wire ties.



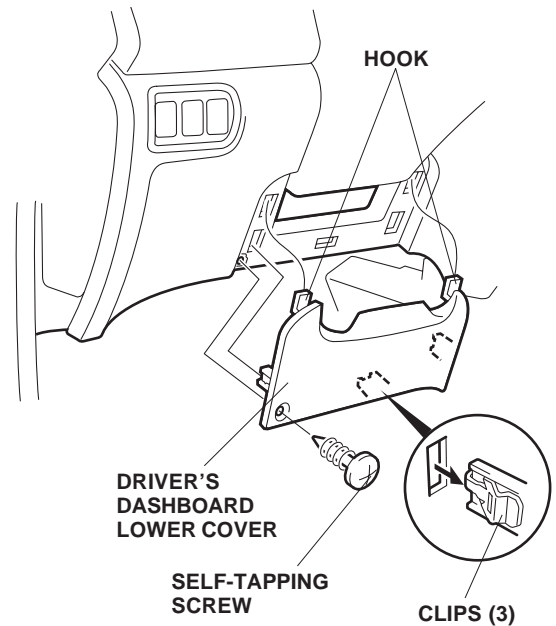
- Secure the hood switch harness to the vehicle harness with two wire ties. If fog lights are installed, route the hood switch harness and fog light harness together.



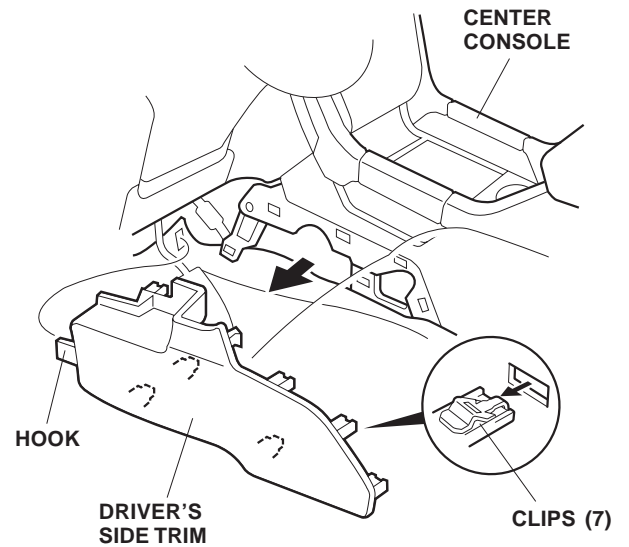
- Attach the wire tie with holder to the 2-pin connector of the hood switch, then secure the 2-pin connector to the vehicle harness with this wire tie with holder.



- Remove the driver's dashboard lower cover (one self-tapping screw, three clips, and two hooks).

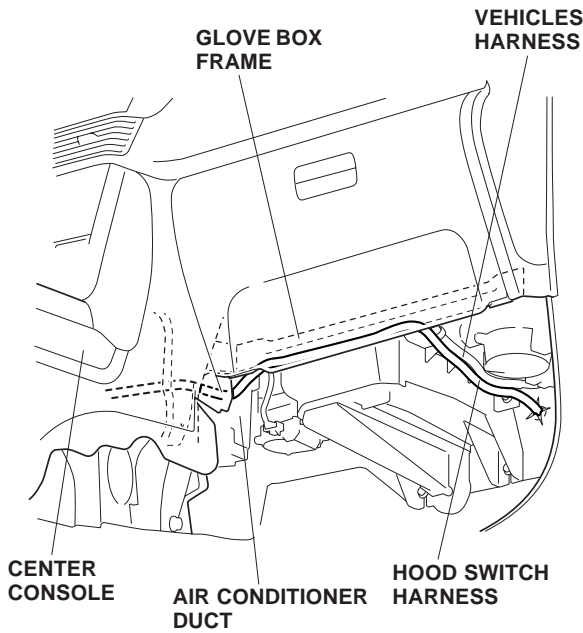


- Remove the driver's side trim from the center console (seven clips and one hook).

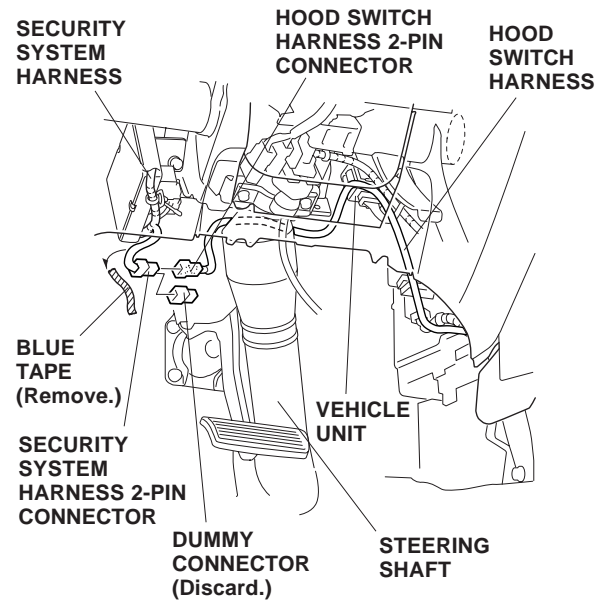


- Remove the passenger's side trim in the same manner.

19. Route the hood switch harness along the vehicle harness behind the glove box frame, and toward the driver's side of the vehicle. Continue routing the harness between the center console and the air conditioner duct.



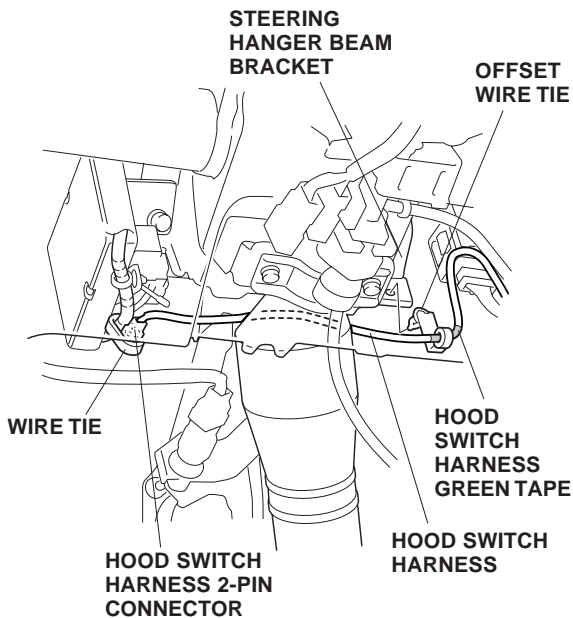
20. On the left side of the steering shaft, locate the 2-pin connector blue-taped to the security system harness. Remove the blue tape to free the connector. Remove and discard the dummy connector from the 2-pin connector you just freed.



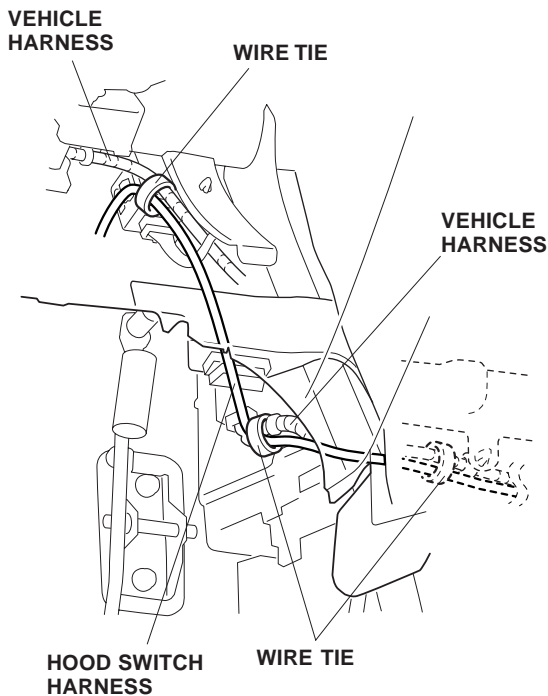
21. Continue routing the hood switch harness 2-pin connector above the steering shaft, and connect it to the security system harness 2-pin connector.



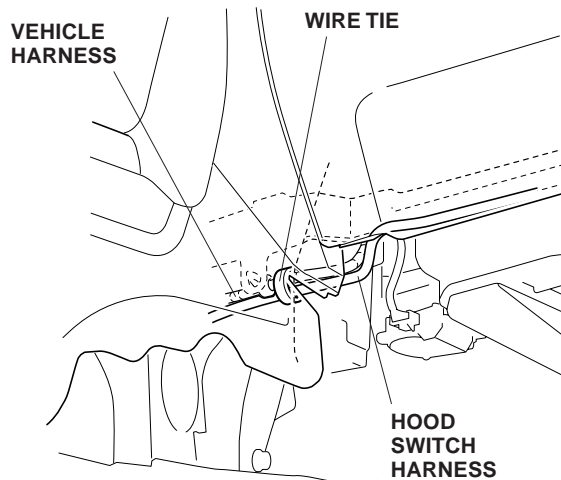
- Attach the offset wire tie to the hood switch harness at the green tape, and push the clip into the hole in the steering hanger beam bracket.



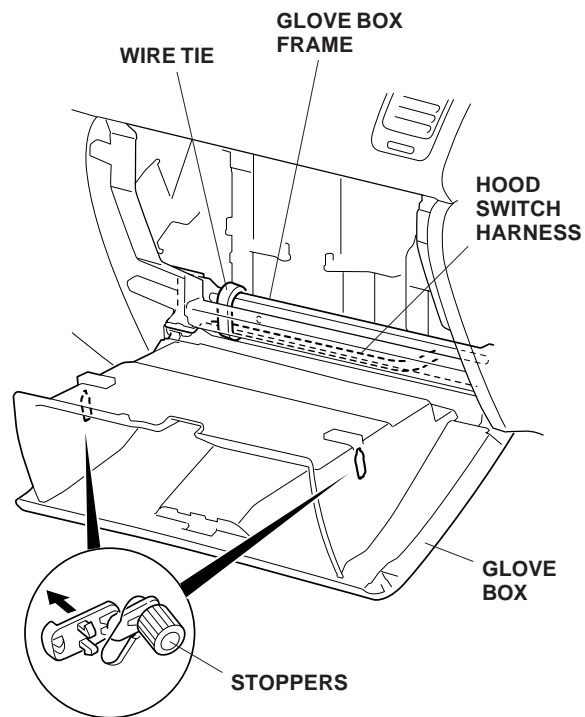
- Secure the hood switch harness 2-pin connector to the vehicle harness with one wire tie.
- Secure the hood switch harness to the vehicle harness with three additional wire ties in the areas shown.



- Near the center dashboard area, secure the hood switch harness to the vehicle harness with one wire tie.

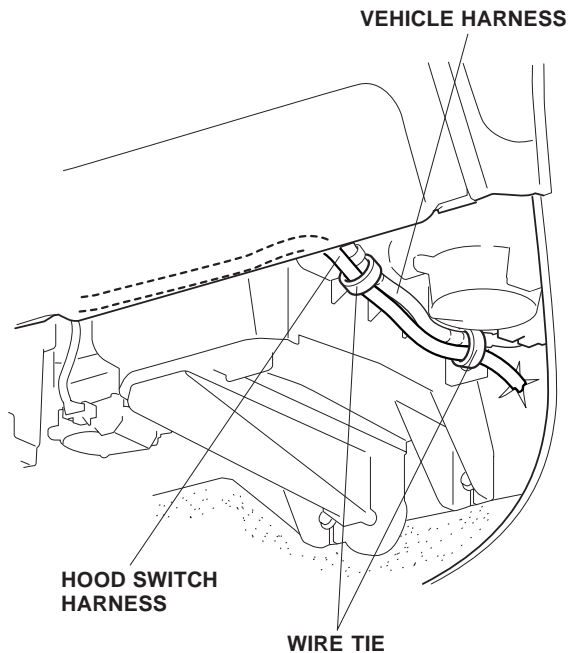


- Remove the stoppers from both sides of the glove box, and lower the glove box. Secure the hood switch harness to the glove box frame with one wire tie.



- Reinstall the glove box.

28. On the passenger's side of the vehicle, secure the hood switch harness to the vehicle harness with two wire ties in the areas shown.



29. Check that all wire harnesses are routed properly and all connectors are plugged in.
30. Reconnect the negative cable to the battery.
31. Enter the customer's radio anti-theft code, and reset the radio station presets.
32. Set the clock.
33. Arm the security system, then open the hood to make sure the alarm sounds.
34. Reinstall the driver's dashboard lower cover, the driver's and passenger's side trim, and the bulkhead cover.  
  
NOTE: Whenever the battery is disconnected, the driver's window AUTO function is disabled.
35. Start the engine. Push down on the driver's window switch until the window is fully open.
36. Pull up on the driver's window switch to close the window completely, then hold the switch for 2 seconds.
37. Lower and raise the driver's window to check operation of the driver's window AUTO function.