



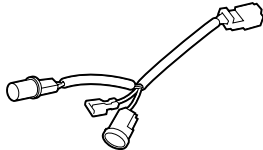
# INSTALLATION INSTRUCTIONS

Accessory	Application	Publications No.
<b>CIGARETTE LIGHTER AND ASHTRAY</b>	<b>2003 PILOT</b>	<b>All 23608</b>
		Issue Date
		<b>MAY 2002</b>

## PARTS LIST

**Cigarette Lighter Without Navigation System (sold separately):**  
**P/N 08U25-S0K-202F**

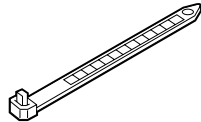
Lighter harness



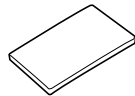
Cigarette lighter



Wire tie

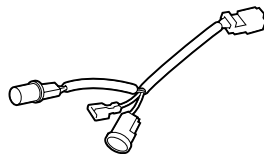


Cushion tape



**Cigarette Lighter With Navigation System (sold separately):**  
**P/N 08U25-S9V-100B**

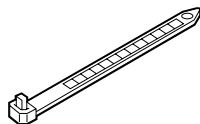
Lighter harness



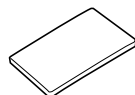
Cigarette lighter



Wire tie

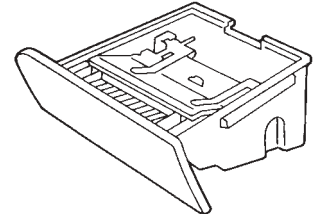


3 Cushion tapes



**Ashtray (sold separately):**  
**P/N 08U25-S9V-110**

Ashtray



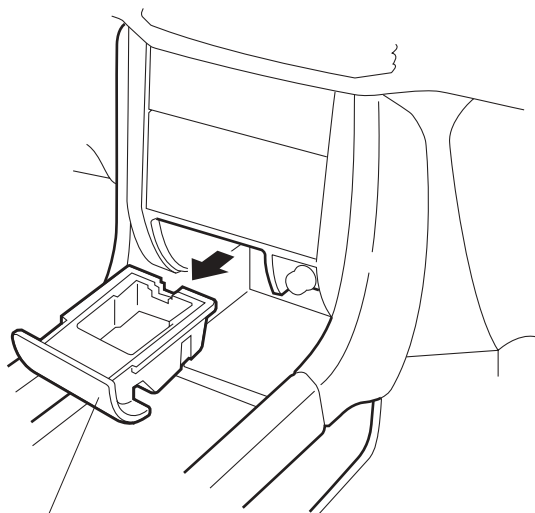
## TOOLS AND SUPPLIES REQUIRED

- #2 Phillips screwdriver
- Stubby Phillips screwdriver
- Electrical tape
- Utility knife

## INSTALLATION

**Customer Information:** The information in this installation instruction is intended for use only by skilled technicians who have the proper tools, equipment, and training to correctly and safely add equipment to your vehicle. These procedures should not be attempted by "do-it-yourselfers."

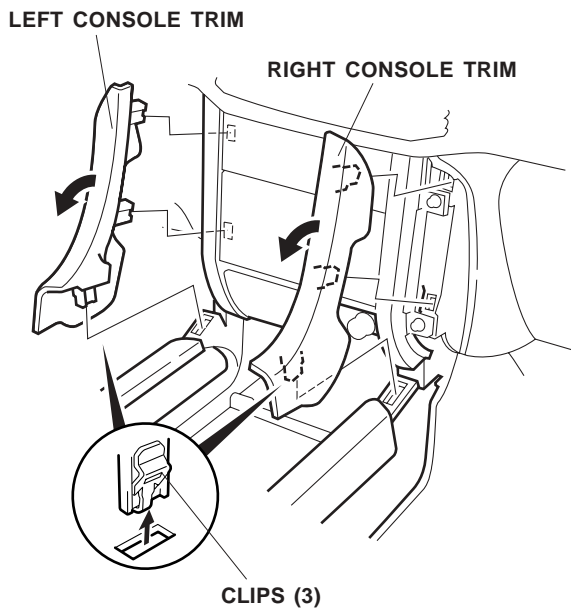
1. Remove the pocket. Save the pocket for your customer.



**POCKET**  
(Save for your customer.)

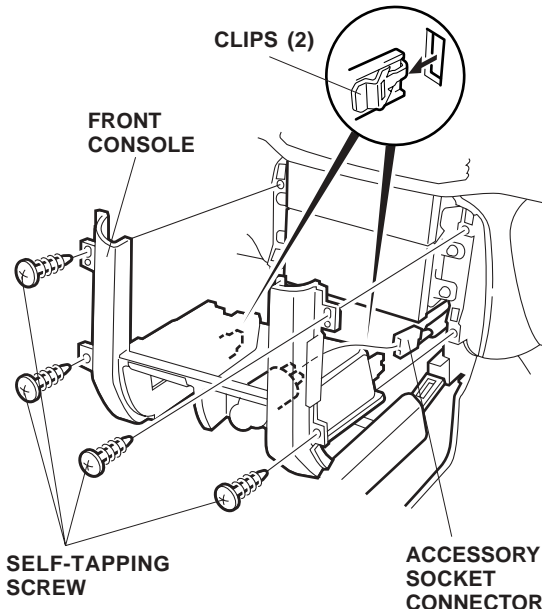
*If you're only installing an ashtray, go to step 16; otherwise continue with step 2.*

2. Pull the upper ends of the right console trim out toward you to release the two upper clips first, then the bottom clip. Remove the left console trim.



**CLIPS (3)**

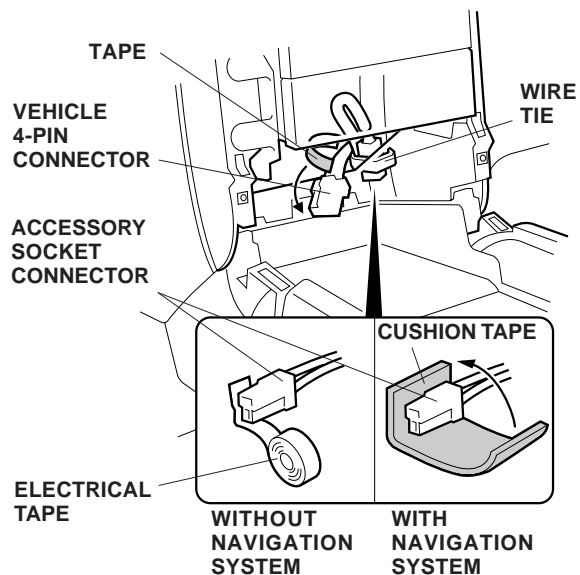
3. Remove the four self-tapping screws that secure the front console.



**SELF-TAPPING SCREW**

**ACCESSORY SOCKET CONNECTOR**

4. Pull out and remove the front console by releasing the two clips, and unplugging the accessory socket connector, and remove the front console.
5. Locate the 4-pin connector taped to the vehicle harness, and remove the tape to free the connector.



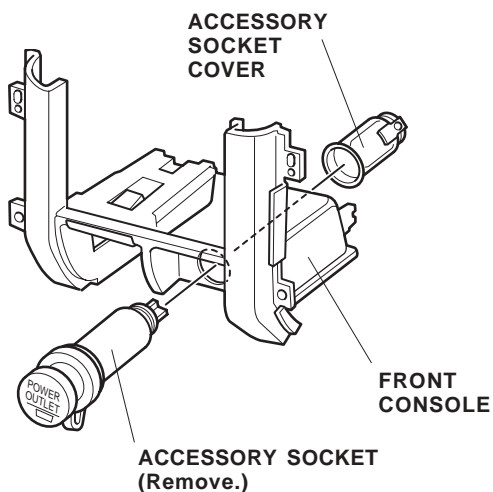
**ELECTRICAL TAPE**

**WITHOUT NAVIGATION SYSTEM**

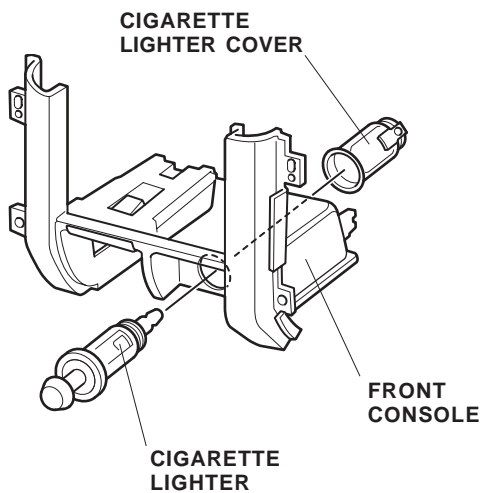
**WITH NAVIGATION SYSTEM**

6. Wrap electrical tape or a cushion tape around the accessory socket connector, and secure it to the vehicle harness with one wire tie.

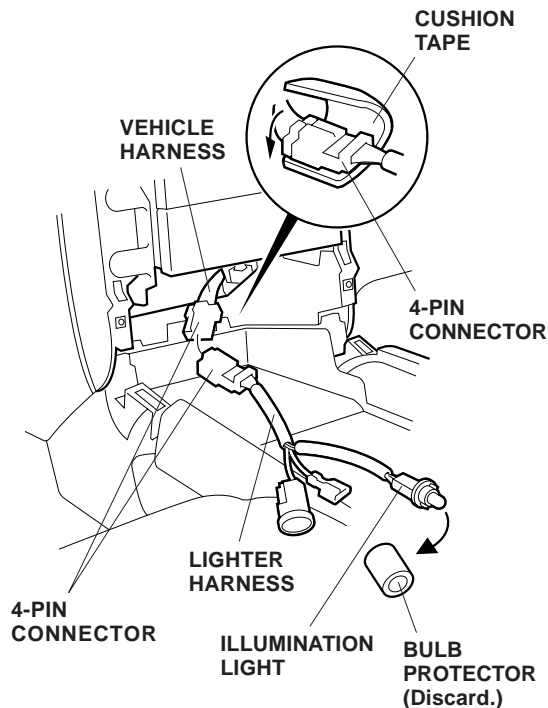
- Remove the accessory socket cover from the accessory socket by turning it counterclockwise, and remove it from the front console.



- Separate the lighter cover from the cigarette lighter, then install them through the hole in the front console.

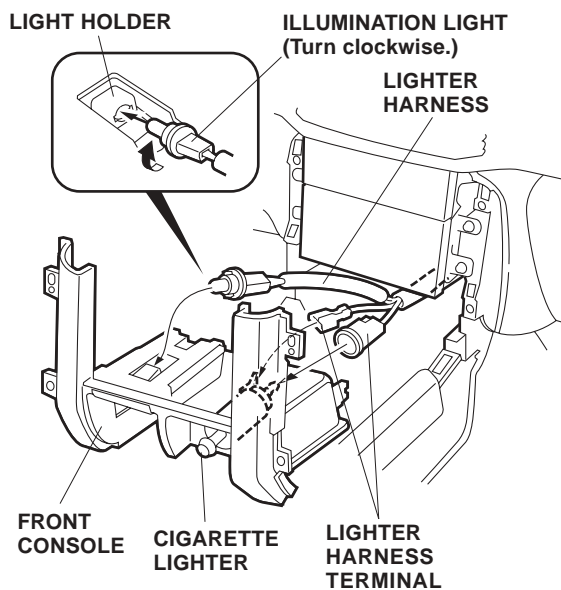


- Remove the bulb protector from the illumination light on the lighter harness.

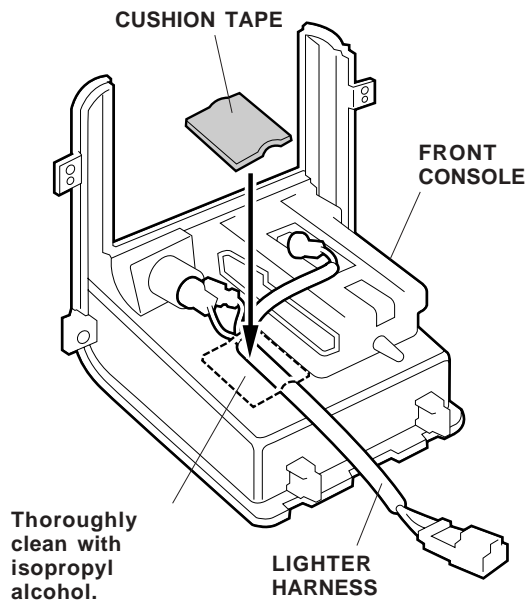


- Plug in the lighter harness 4-pin connector into the 4-pin connector of the vehicle harness, and wrap the cushion tape around the connectors.

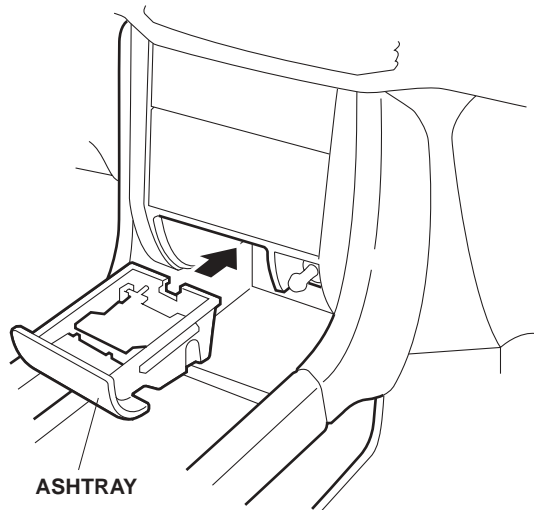
- Connect the lighter harness terminals into the cigarette lighter; push the illumination light into the light holder on the front console.



12. If the vehicle you are working on is equipped with the navigation system, secure the lighter harness to the front console with one cushion tape in the area shown.



13. Reinstall the front console.
14. Reinstall the console trim pieces.
15. Check that the cigarette lighter heats properly when pressed in.
16. Install the ashtray.



17. Open and close the ashtray several times to ensure that it works properly.
18. Put the pocket in the glove box for your customer.