

**INSTALLATION
INSTRUCTIONS**

Accessory
**BIKE ATTACHMENT -
 ROOF MOUNT**
 P/N 08L07-TA1-101

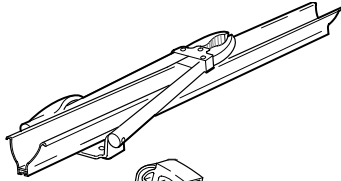
Application
2003 PILOT

Publications No.
All 23601

Issue Date
MAY 2002

PARTS LIST

Bike attachment



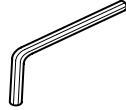
2 Wheel straps



2 End caps



5 mm Allen wrench



2 Keys



Instruction sheet



3 T-Bolts

**TOOLS REQUIRED**

T-15 Torx driver

T-25 Torx driver

T-30 torx driver

Phillips screwdriver

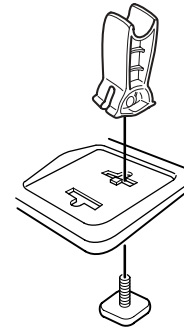
INSTALLATION**NOTE:**

- Be careful not to damage the painted surfaces of the vehicle when installing the bike attachment.
- If you are installing more than one bike attachment, you may need to alternate the mounting positions (front to rear) to allow for handle bar clearance.
- Make sure the security retainer and the locking clamp lever are installed on the outboard side. See the instruction sheet for details.

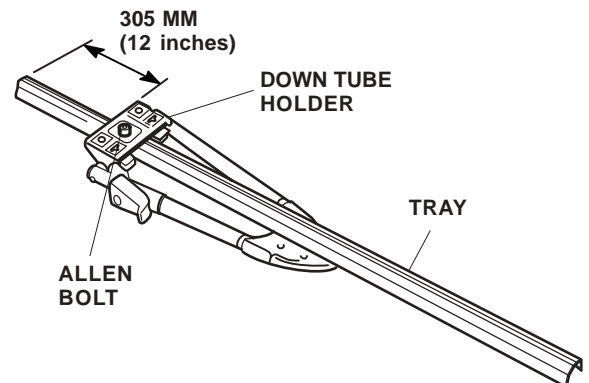
NOTE: The cross bars have a directional positioning. The short portion in front of the channel should face toward the front of the vehicle.

Preparing the Bike Attachment

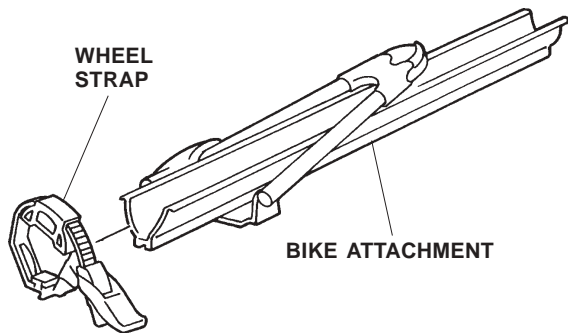
1. Turn and loosen the mounting levers on the bike attachment. Remove the three levers, and remove the three T-bolts.



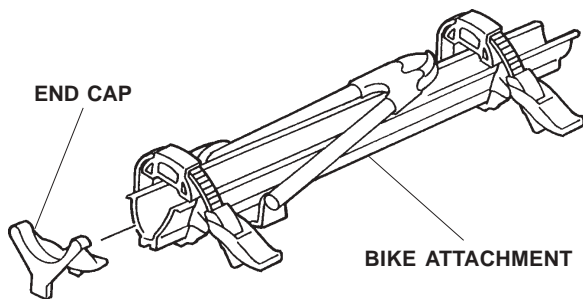
2. Position the front edge of the down tube holder 305 mm (12 inches) from the front edge of the tray. This positioning can be adjusted with the 5 mm Allen wrench to fit specific bike requirements.



- Slide a wheel strap (with rubber block) onto one end of the bike attachment channel. Repeat the same procedure on the other end of the channel. Make sure both wheel strap buckles are on the same side of the channel and face the outboard side of the vehicle.

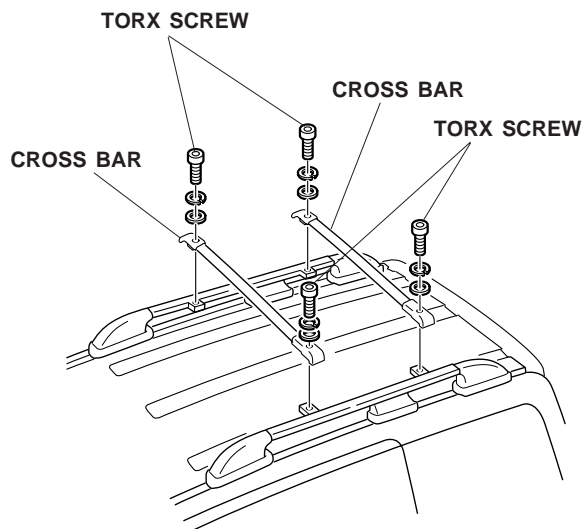


- Install the end caps on the bike attachment channel by aligning the locktabs on the end cap with the holes in the channel. Push down on the end cap until the locktabs "click" into place. Repeat the same procedure on the other end of the channel.

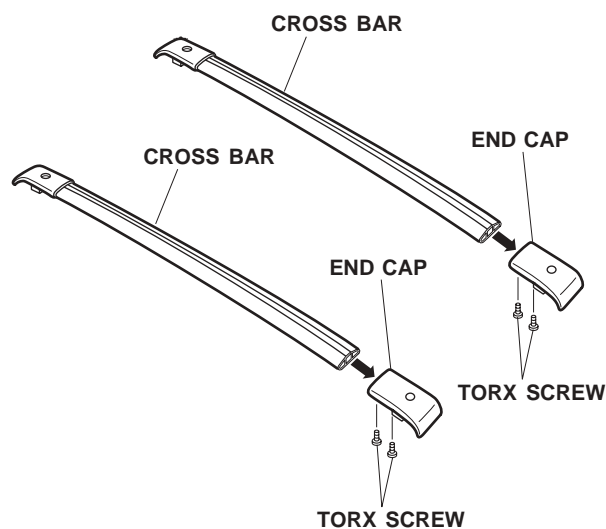


Installing the Bike Attachment

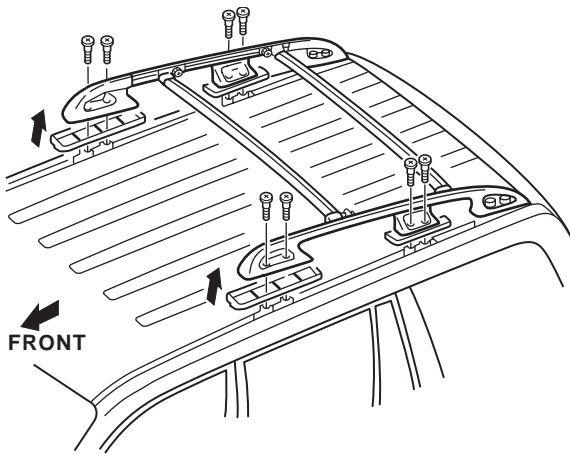
- EX model only:* Using a T-30 Torx driver, remove the cross bars from the roof rack.



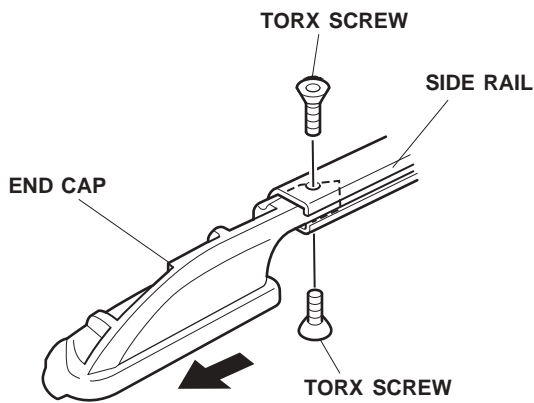
- EX model only:* Using a T-25 Torx driver, remove the Torx screws from one end of the roof rack cross bars (front and rear). Remove the end cap. Remove the roof rack end caps from the same side of the vehicle.



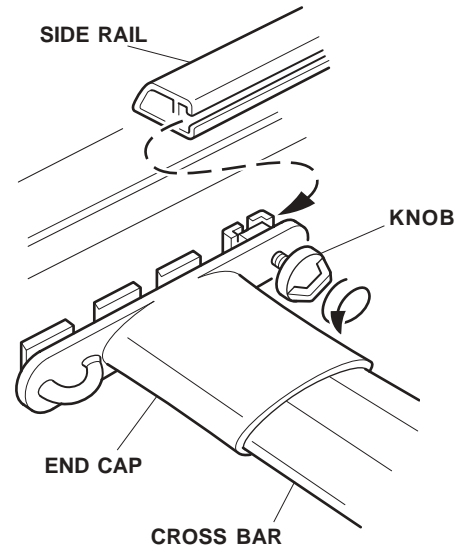
7. *LX model only:* Using a Phillips screwdriver, remove the screws from the front and center roof rack supports (left and right). Raise the front portion of the roof rack.



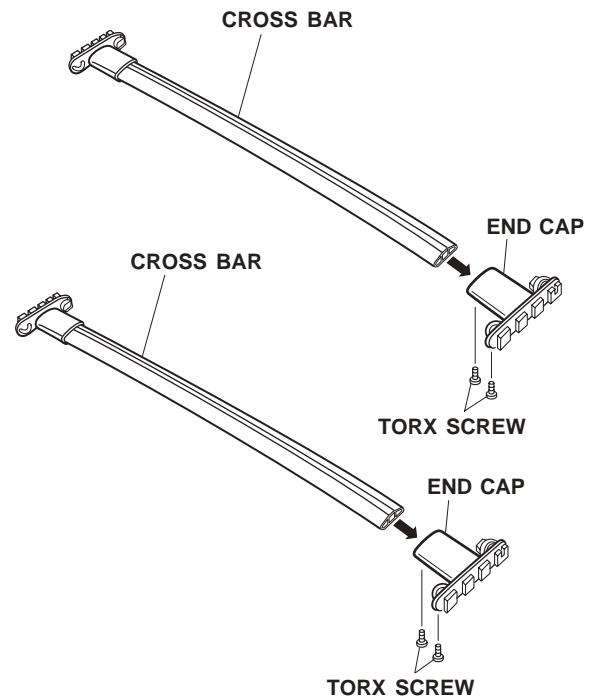
8. *LX model only:* Using a T-15 Torx driver, remove the two screws from the front end caps of the roof rack. Remove the left and right end caps from the side rails.



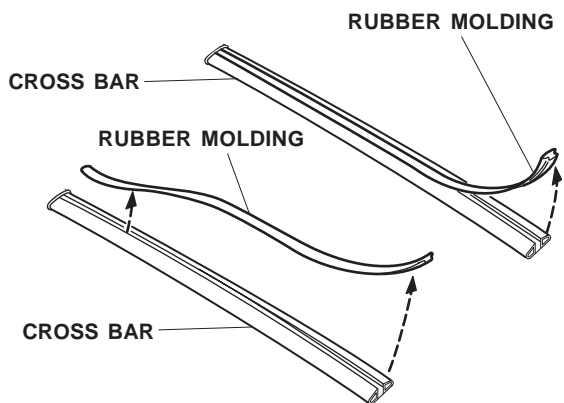
9. *LX model only:* Loosen the knobs on the crossbars, and slide the cross bars off of the roof rack.



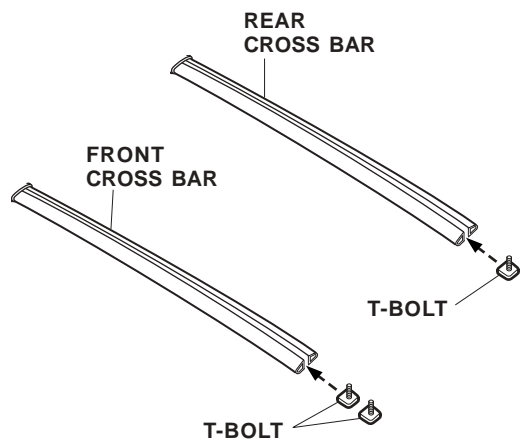
10. *LX model only:* Using a T-25 Torx driver, remove the Torx screws from one end of the roof rack cross bars (front and rear). Remove the end cap. Remove the roof rack end caps from the same side of the vehicle.



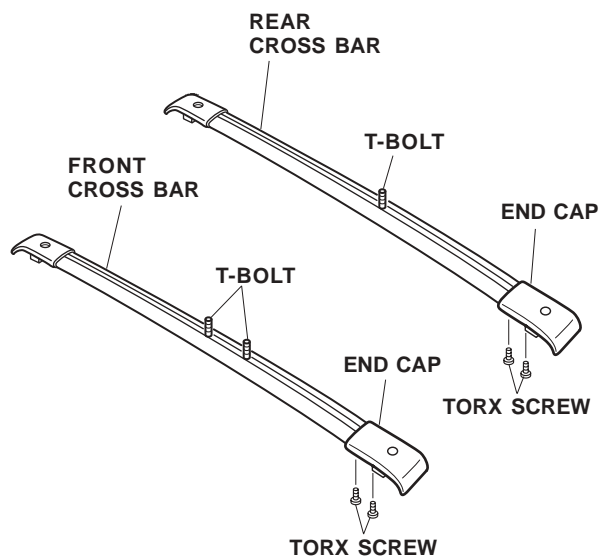
- Remove the rubber moldings from the front and rear roof rack cross bars. Retain the rubber mouldings to be reinstalled if the bike attachment is removed.



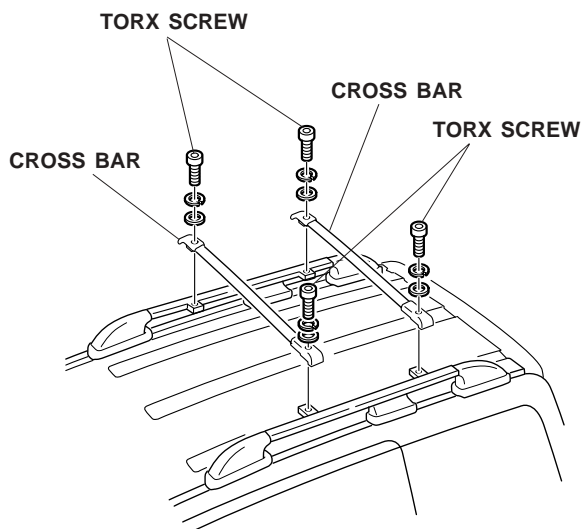
- Slide two T-bolts into the front cross bar, and slide one T-bolt into rear cross bar.



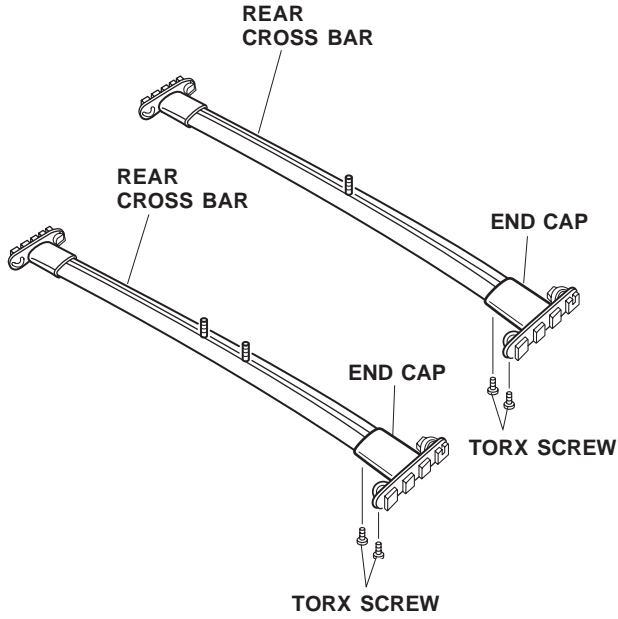
- EX model only:* Install the end caps onto the cross bar, and tighten the screws using a T-25 Torx driver.



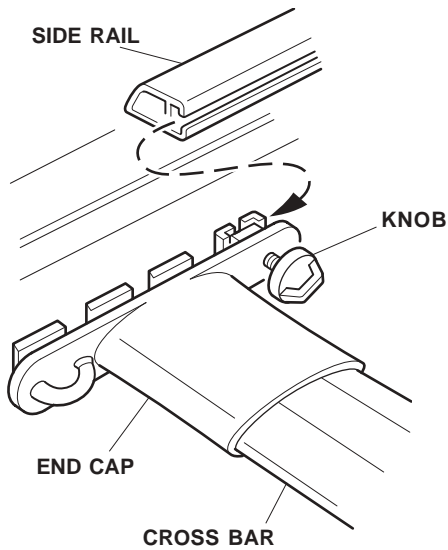
- EX model only:* Install the cross bars onto the roof rack, and start but do not tighten the four T-30 Torx screws.



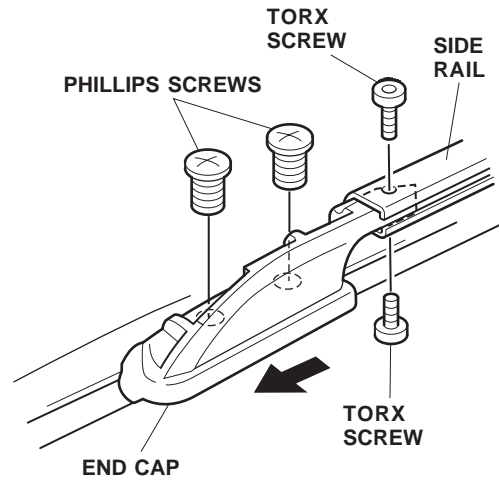
15. *LX model only:* Install the end caps onto the cross bar, and tighten the screws using a T-25 Torx driver.



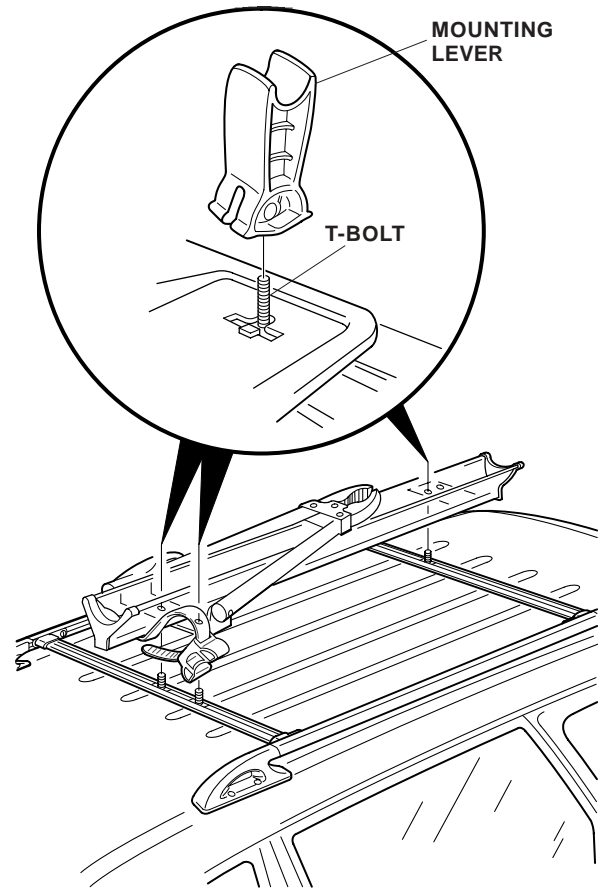
16. *LX model only:* Slide the cross bars into the side rail.



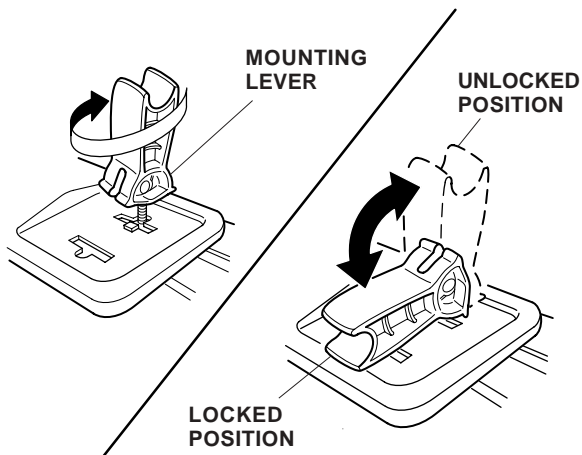
17. *LX model only:* Reinstall the end caps onto the roof rack. Secure the end caps and roof rack with Torx and Phillips screws.



18. Position the bike attachment onto the T-bolts of the cross bars. Install but do not tighten the mounting levers.

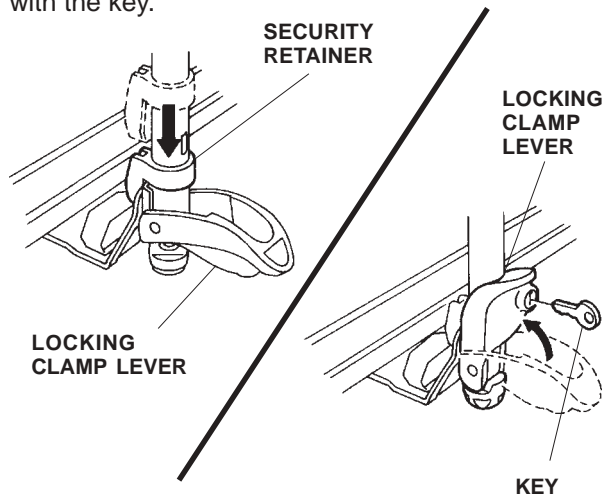


19. *EX model only:* Tighten the four T-30 Torx screws that secure the cross bars.
20. *LX model only:* Tighten the knobs that secure the cross bars.
21. Turn and adjust the mounting lever to lock the bike attachment to the roof rack. Check for firm pressure while you push down on the mounting lever to lock and secure it into place. Position the mounting levers facing toward the rear of the vehicle for secure locking.



- If the mounting lever pressure is too tight (the lever will not lock into place), lift up on the lever and turn it counterclockwise.
- If the mounting lever pressure is too loose (the lever locks into place, but the bike attachment is loose on the crossbars), lift up on the lever and turn it clockwise.

22. The security retainer and locking clamp lever are spring loaded and automatically adjust. Position the clamp around the down tube of the bike, then close the locking clamp lever. To deter theft of the bike and bike attachment, lock the clamp lever with the key.



23. Put these instructions and the Bicycle Installation Instruction sheet in the glove box for future use.
24. Put the Allen wrench and keys in the glove box for future use.
25. Put the rubber moldings removed from the cross bars in a plastic bag, and put the bag in the vehicle for the customer.