



INSTALLATION INSTRUCTIONS

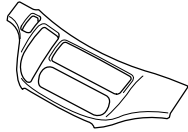
Accessory
**WOOD GRAIN TRIM KIT
(DASHBOARD)
EXCEPT LX**

Application
2005 ODYSSEY

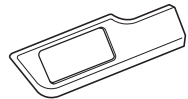
Publications No.
All 27372
Issue Date
SEP 2004

PARTS LIST

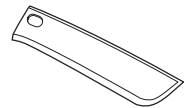
Wood-Grain Center Panel



Wood-Grain Switch Panel



Wood-Grain Console Lid Panel



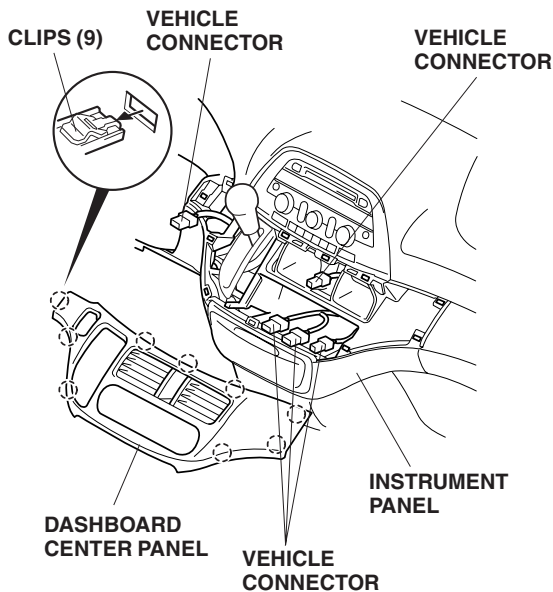
SUPPLIES REQUIRED

Shop towel

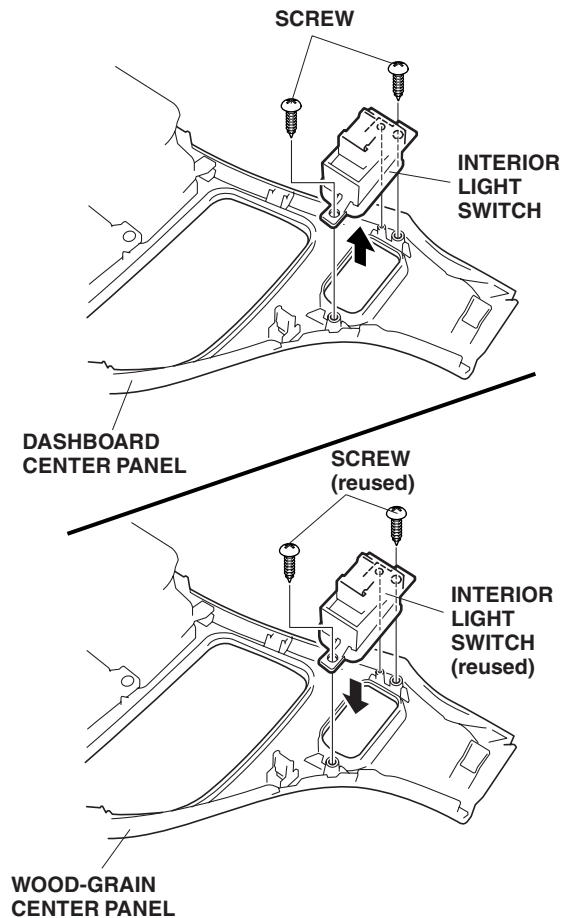
Masking tape

KTC trim tool set SOJATP2014

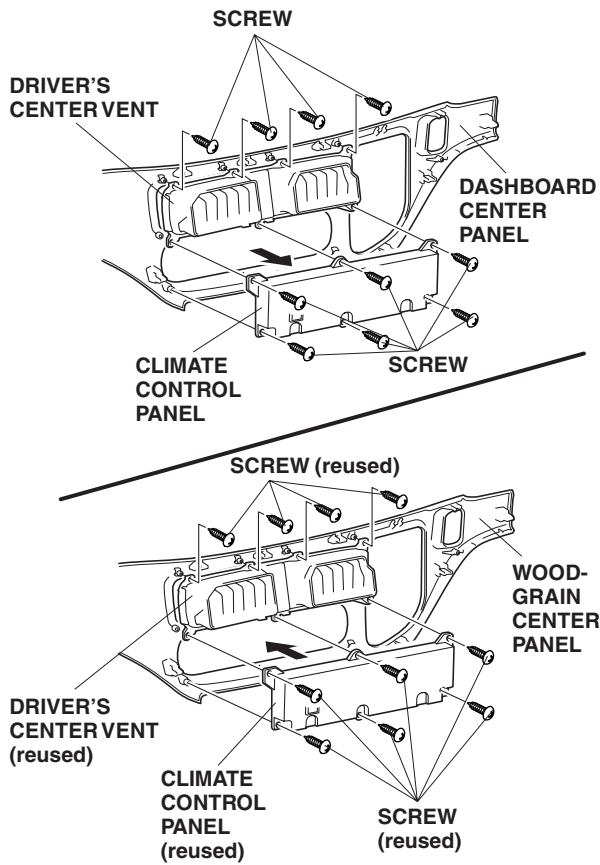
1. Starting near the select lever, gently pry up on the dashboard center panel to release the 9 clips. Disconnect the vehicle connectors and remove the dashboard center panel.



2. Remove the interior light switch (two screws), and transfer the switch to the wood-grain center panel.

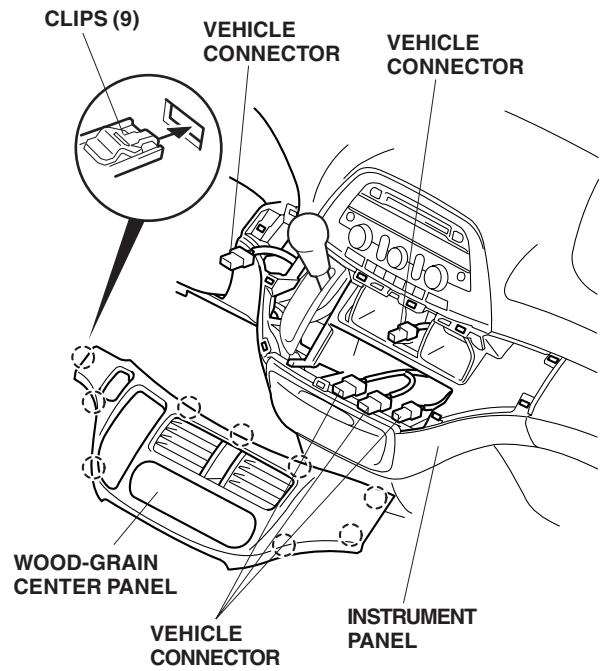


- Remove the driver's center vent (four screws), and transfer the center vent to the wood-grain center panel.

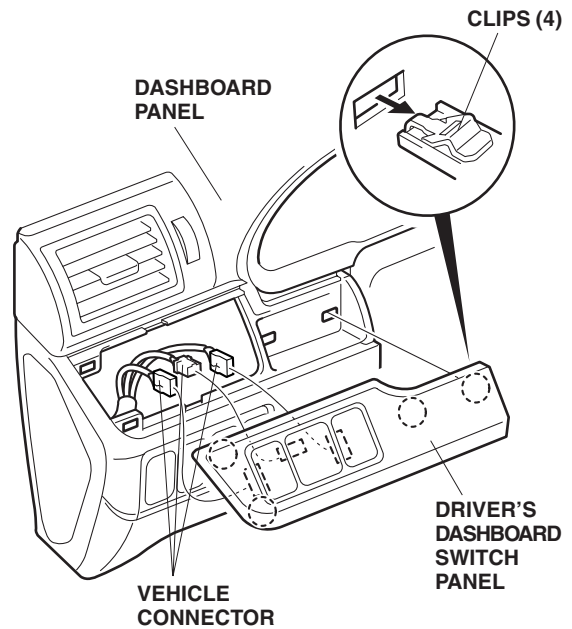


- Remove the climate control panel (six screws), and transfer the control panel to the wood-grain center panel.

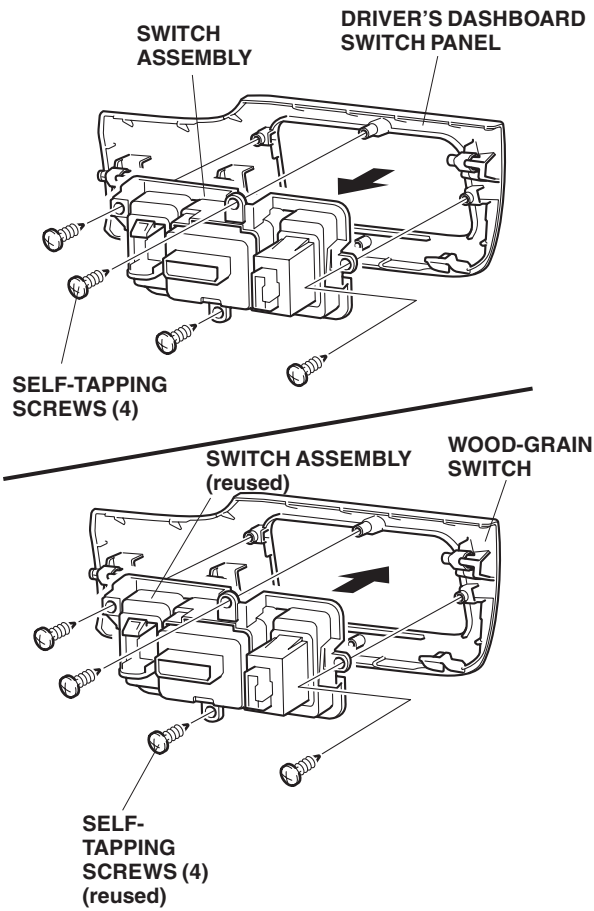
- Plug in the vehicle connectors and install the wood-grain center panel to the dashboard.



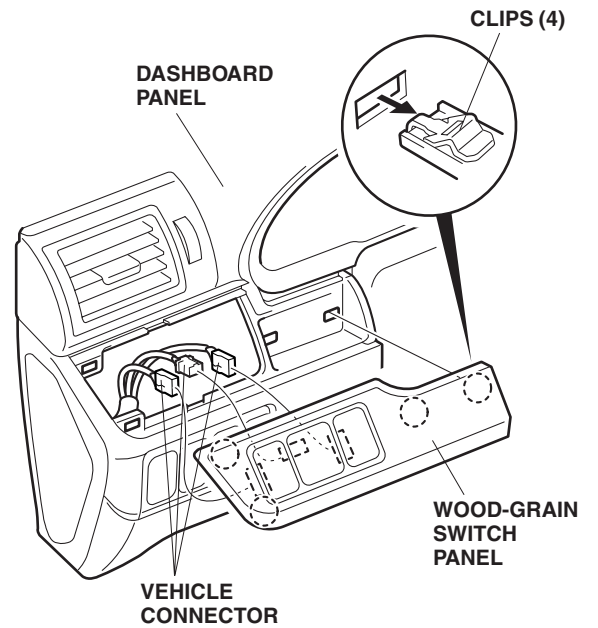
- Remove the driver's dashboard switch panel (four clips and unplug the vehicle connectors).



7. Remove the switch assembly (four screws) and transfer the switch assembly to the wood-grain switch panel.



8. Plug in the vehicle connectors, and install the wood-grain switch panel.



9. Remove the passenger's console panel (six clips), and install the wood-grain console panel.

