



INSTALLATION INSTRUCTIONS

Accessory

TABLE LEGS

Application

2005 ODYSSEY

Publications No.

All 27365

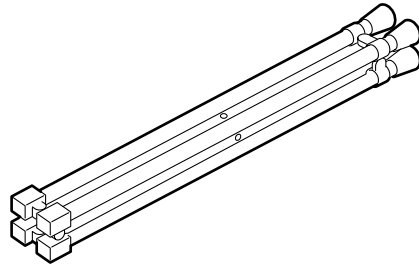
Issue Date

SEP 2004

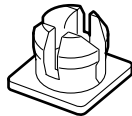
Put this instruction in the glove box with the vehicle owner's manual

PARTS LIST

Table legs



4 Holders



4 Washer screws
(Not used)



4 Nuts
(Not used)



4 Self-tapping screws

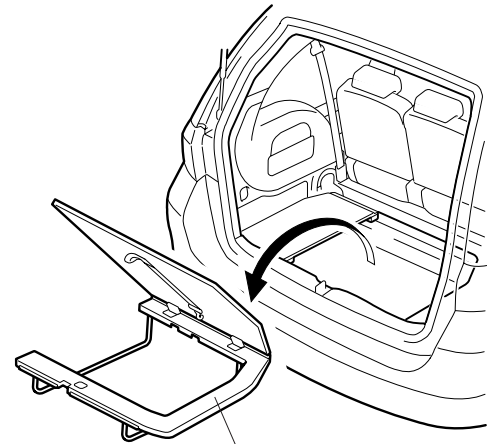


TOOLS REQUIRED

Phillips screwdriver

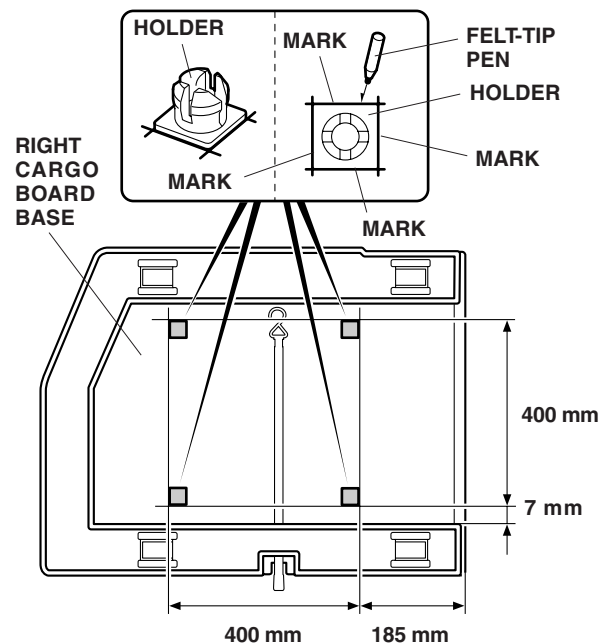
INSTALLATION

1. Open the tailgate and remove the right cargo board with its base.

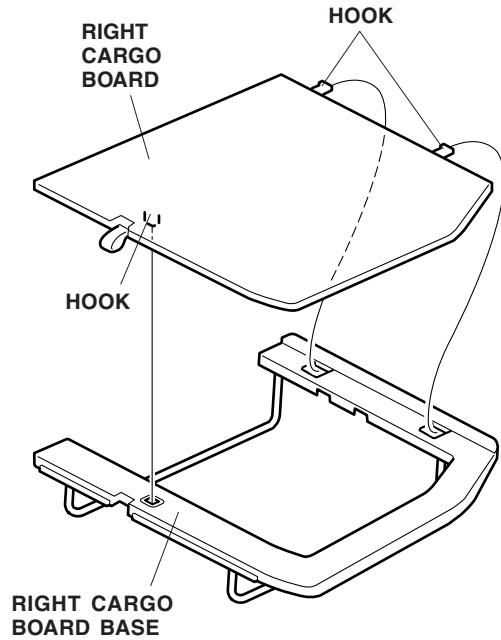


RIGHT CARGO BOARD

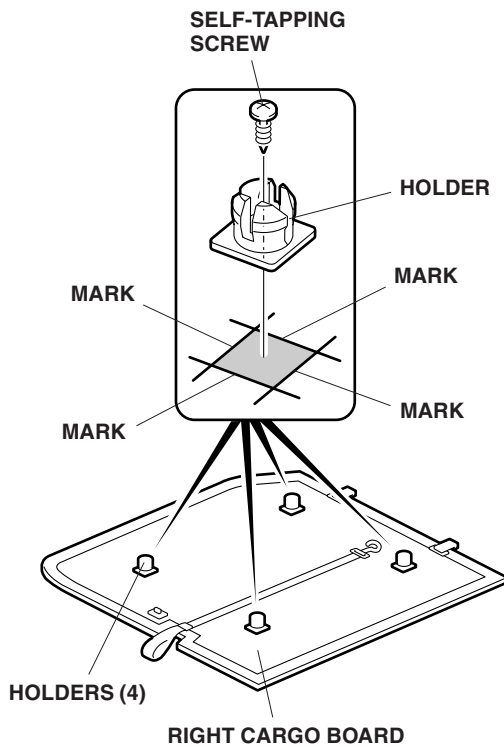
2. Turn the right cargo board and base face down. Position the holders on the right cargo board in the positions of the dimensions shown. Mark along the circumference of each holder using a felt-tip pen.



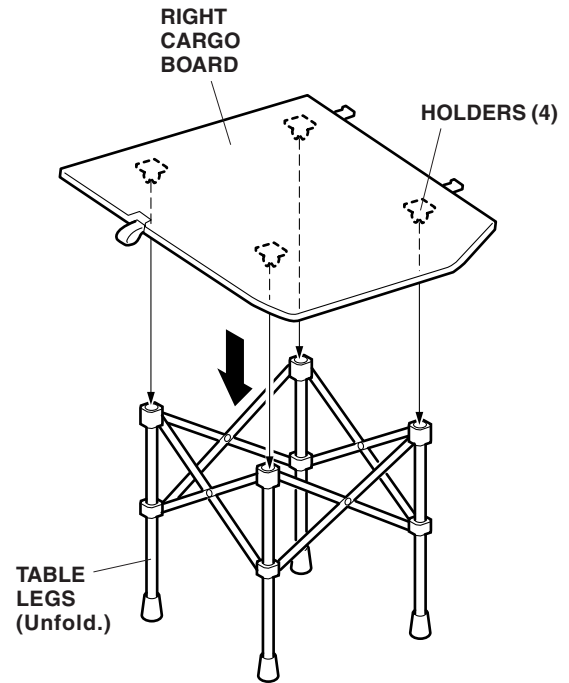
- Remove the right cargo board from its base (three hooks).



- Position the four holders on the right cargo board, and install one self-tapping screw for each holder.



- Unfold the table legs and place the cargo board on the table legs by inserting the holders into the square holes of the table legs. Make sure the table legs are secure in the holders.



User's Information

- Be sure to lock the table legs in place.
- Do not stand on the table.
- Do not exceed the weight limit, 22 lbs (10 kg), on the table.
- Hot items should not be placed directly on the table top.