



INSTALLATION INSTRUCTIONS

Accessory

ENGINE BLOCK HEATER
P/N 08T44-S5B-100

Application

2005 ODYSSEY

Publications No.

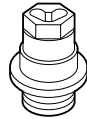
All 27344

Issue Date

SEP 2004

PARTS LIST

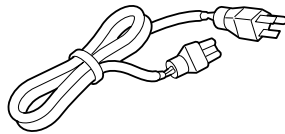
Engine block heater



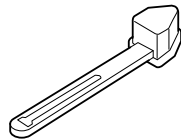
Aluminum washer



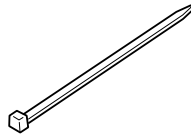
Heater harness



Protective cap



20 Wire ties
(4 Not used)



TOOLS AND SUPPLIES REQUIRED

Phillips screwdriver

Ratchet

24 mm Socket

Torque wrench

Diagonal cutters

Coolant (Honda All season Antifreeze/Coolant only,
Type-2, P/N: OL999-9001, H/C: 6512636)

8 mm Allen socket

Marker

Tape measure

NOTE

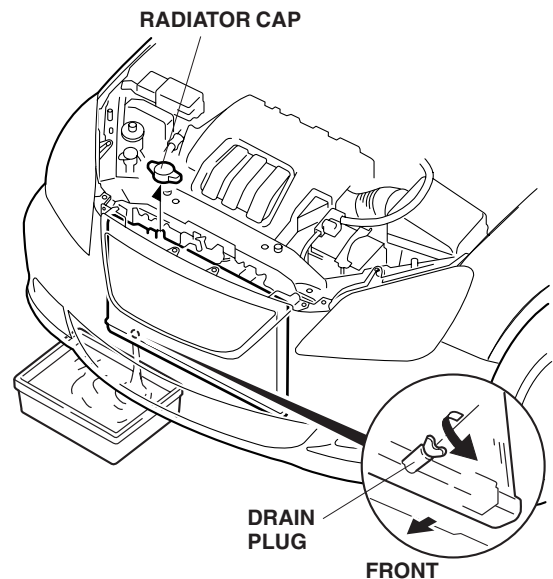
- Always use Honda Antifreeze/Coolant. Using a non-Honda coolant can result in corrosion, causing the cooling system to malfunction or fail.
- To avoid burning out the element, do not operate the engine block heater before it is installed in the vehicle and before you add coolant.

INSTALLATION

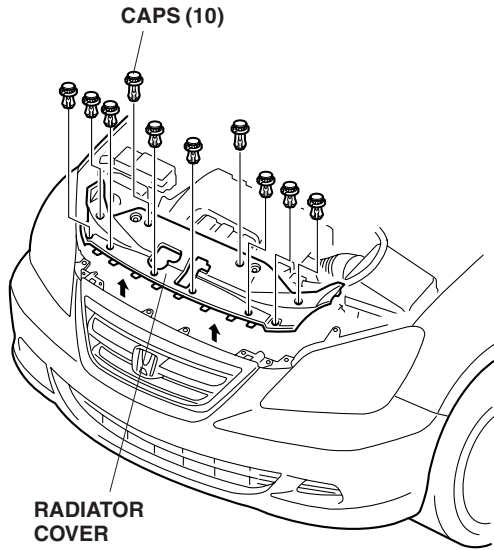
Customer Information: The information in this installation instruction is intended for use only by skilled technicians who have the proper tools, equipment, and training to correctly and safely add equipment to your vehicle. These procedures should not be attempted by “do-it-yourselfers.”

1. Allow the engine and all cooling system components to cool down.
2. Place a clean drain pan under the radiator drain plug, then remove the drain plug from the bottom of the radiator to drain the coolant. Remove the radiator cap to increase the flow.

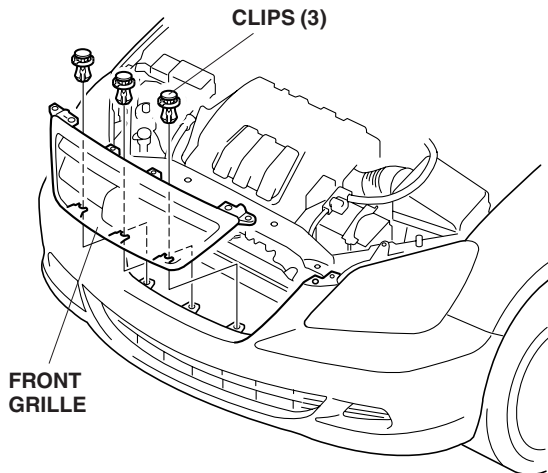
NOTICE Radiator coolant will damage paint. Quickly rinse any spilled coolant from painted surfaces.



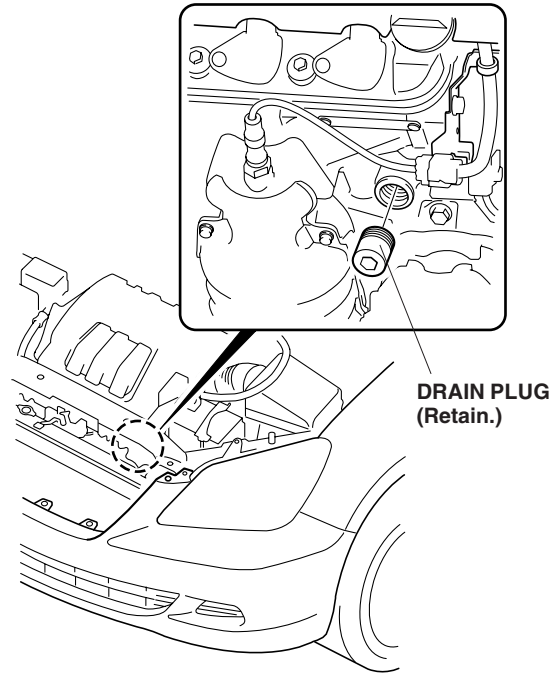
3. Remove the radiator cover (10 clips).



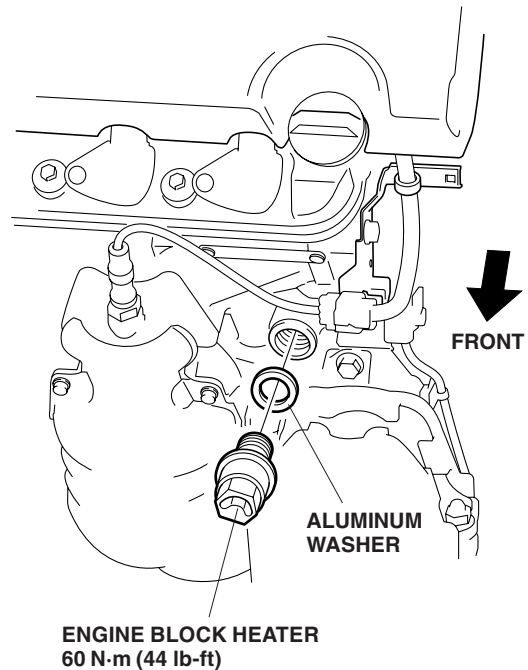
4. Remove the front grille (three clips).



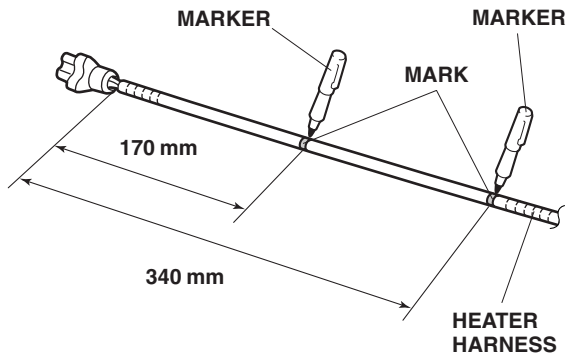
5. Locate and remove the drain plug from the front of the block. Coolant remaining in the engine jackets will flow out of the hole when the plug is removed. (Retain the drain plug in case the engine block heater is removed.)



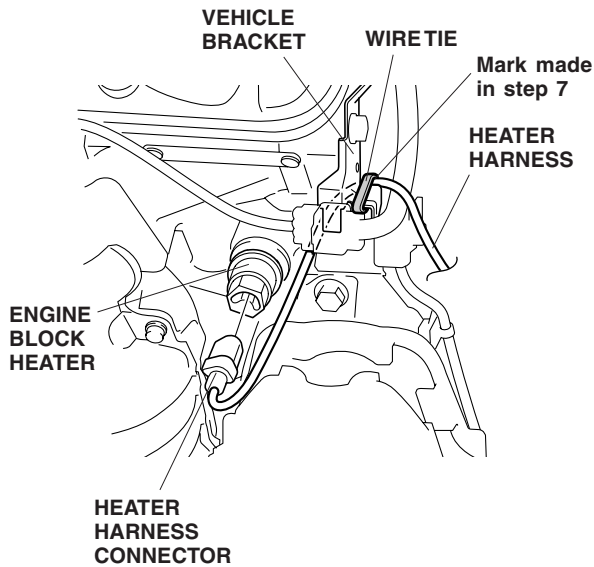
6. Install the engine block heater with the aluminum washer into the hole using a 24 mm socket. Torque the engine block heater to 60 N·m (44 lb-ft).



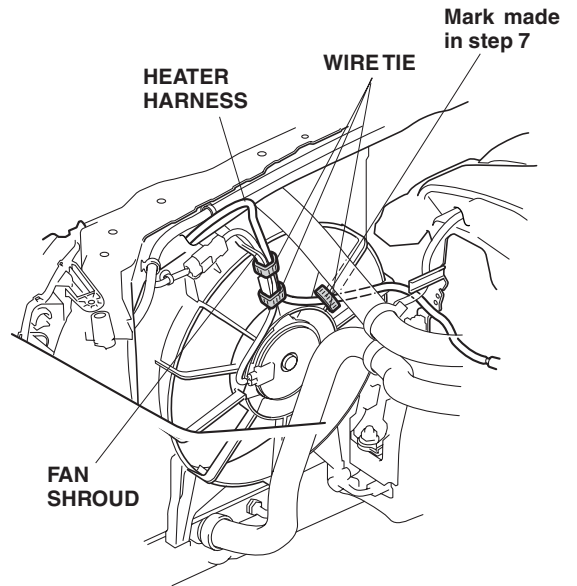
- Using a marker and a tape measure, measure and mark the heater harness at the measurement shown.



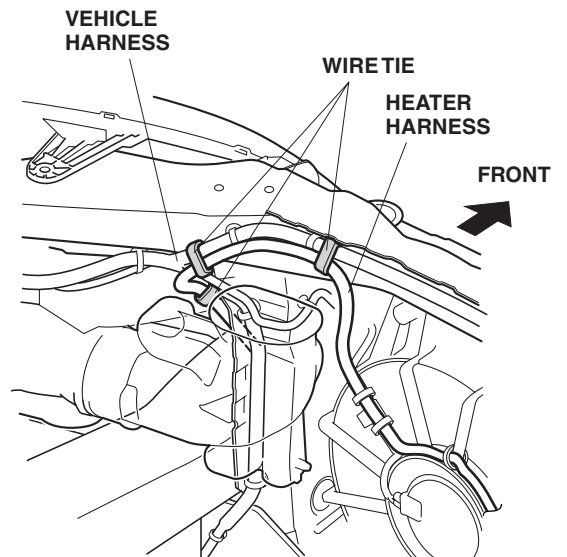
- Plug the connector end of the heater harness into the engine block heater, then route the heater harness in the direction shown, and secure it to the vehicle bracket with one wire tie at the mark made in step 7.



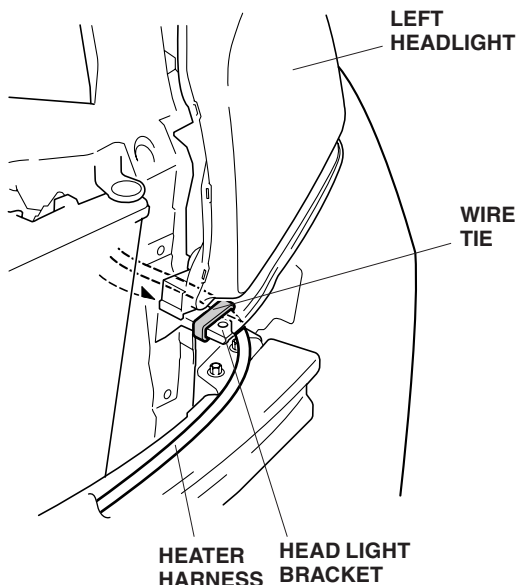
- Route the heater harness along the radiator shroud and secure the harness with three wire ties.



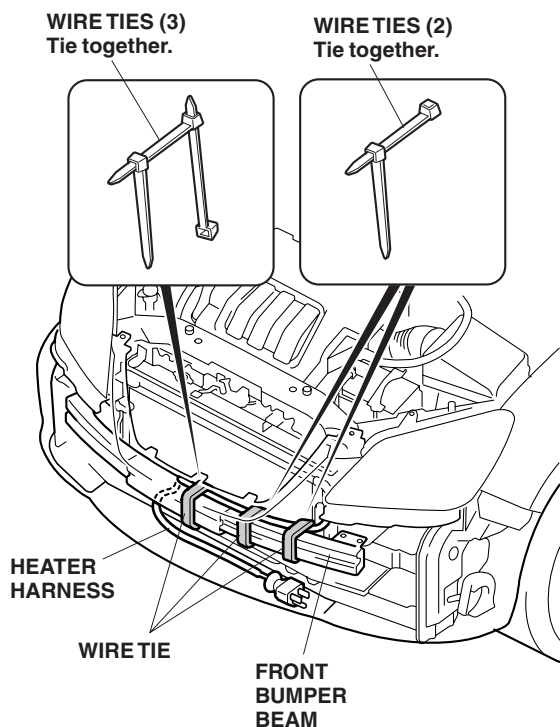
- Continue routing the heater harness along the vehicle harness and secure the heater harness to the vehicle harness with three wire ties.



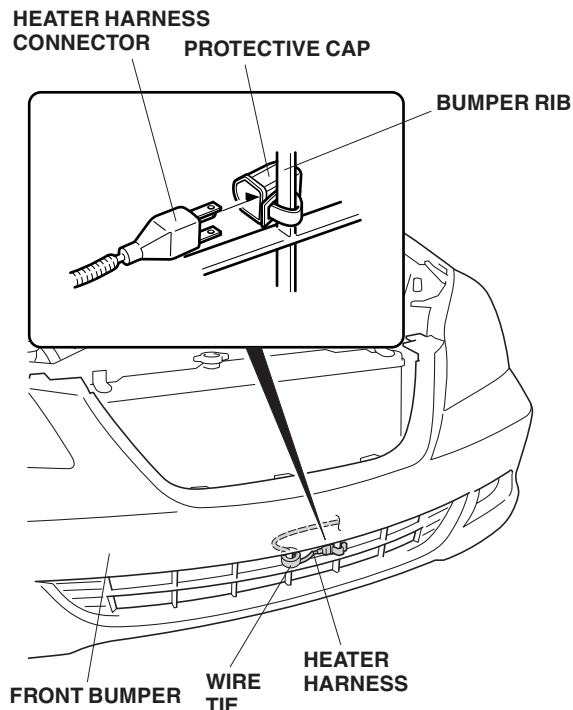
- Route the heater harness forward along the left headlight, and secure the heater harness to the headlight bracket with one wire tie.



- Route the heater harness along the front bumper beam and secure the heater harness to the bumper beam seven wire ties.



- Attach the protective cap to the bumper grille, and plug the heater harness connector into the protective cap.



- Secure the heater harness to the front bumper with one wire tie.
- Reinstall the radiator drain plug.
- Fill the system with the recommended coolant. Follow the instructions described in the service manual to fill and bleed the cooling system.
- Check the coolant reservoir for correct level and check the cooling system for signs of leakage. Repair as necessary.
- Check that the heater harness is routed properly and all connectors are plugged in.
- Put the drain plug (removed in step 2) in the glove box.