



INSTALLATION INSTRUCTIONS

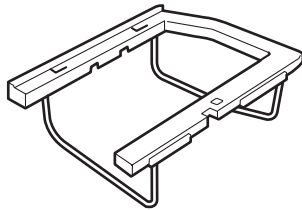
Accessory
CARGO BOARD

Application
2005 ODYSSEY

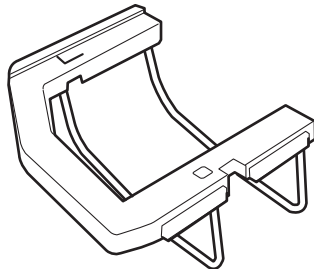
Publications No.
All 27339
Issue Date
SEP 2004

PARTS LIST

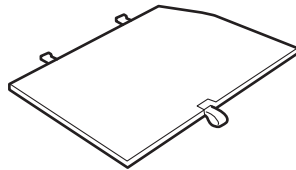
Right cargo board base



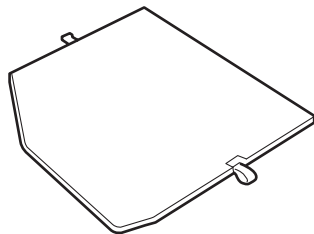
Left cargo board base



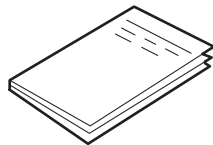
Right cargo board



Left cargo board

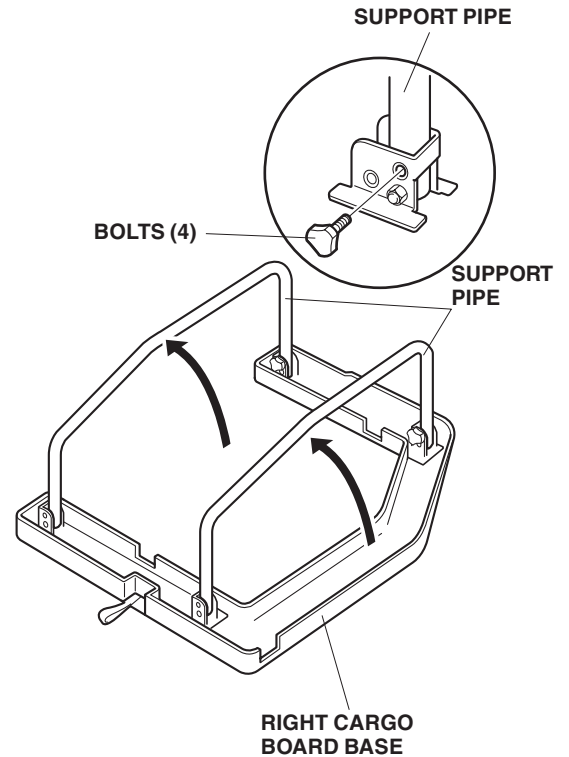


Owner's Manual



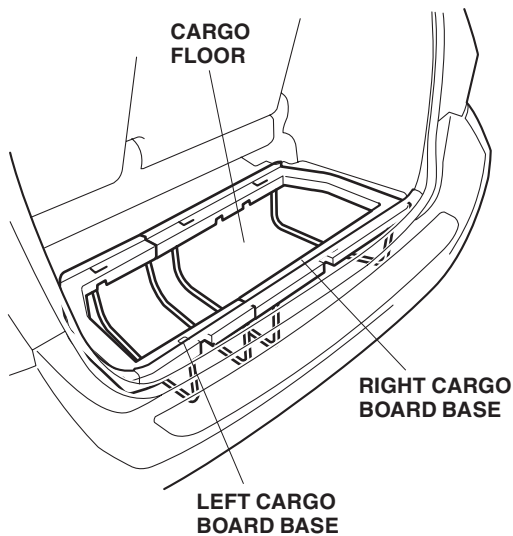
INSTALLATION

1. Remove the four bolts and raise the support pipes on the right cargo board base. Reinstall the four bolts. Make sure the support pipes will not fold up.

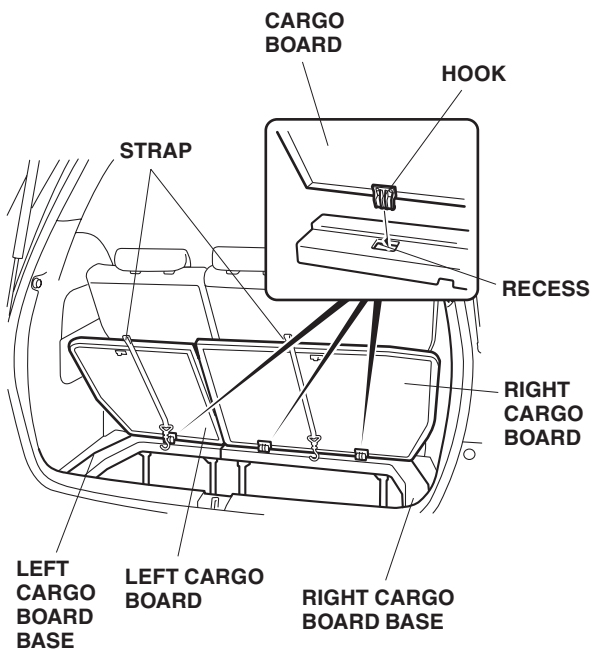


2. Repeat step 1 on the left cargo board base.

3. Install the right cargo board base into the opening in the cargo floor on the right side of the vehicle. Install the left cargo board base into the opening in the cargo floor on the left side of the vehicle.



4. Insert the hooks from the left cargo board into the recesses in left cargo base. Insert the hooks from the right cargo board into the recesses in right cargo base. Lower each cargo board while holding the strap.



5. Put the cargo board Owner's Manual in the glove box.