



INSTALLATION INSTRUCTIONS

Accessory

SKYLIGHT SHADE
P/N 08R13-SCV-100A

Application

2003 ELEMENT

Publications No.

All 24310

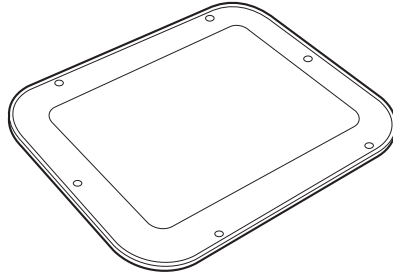
Issue Date

DEC 2002

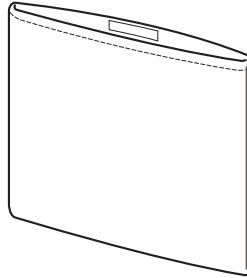
Keep this information in the glove box for future reference.

PARTS LIST

Skylight shade



Storage bag



6 Snap screws



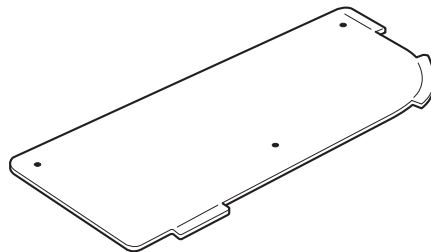
12 Washers



6 Flange nuts



Template



User's information



TOOLS REQUIRED

Phillips screwdriver

8 mm Combination wrench

Utility knife

Awl

Felt-tip pen

Masking tape

Tape measure

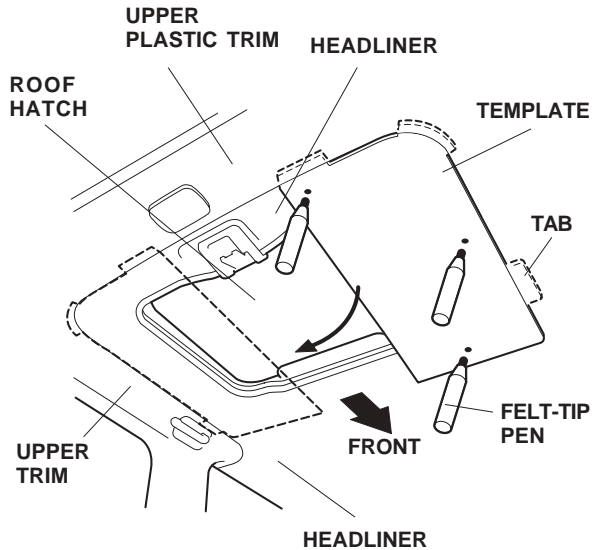
INSTALLATION

Customer Information: The information in this installation instruction is intended for use only by skilled technicians who have the proper tools, equipment, and training to correctly and safely add equipment to your vehicle. These procedures should not be attempted by "do-it-yourselfers."

NOTE: Be careful not to damage the body paint finish.

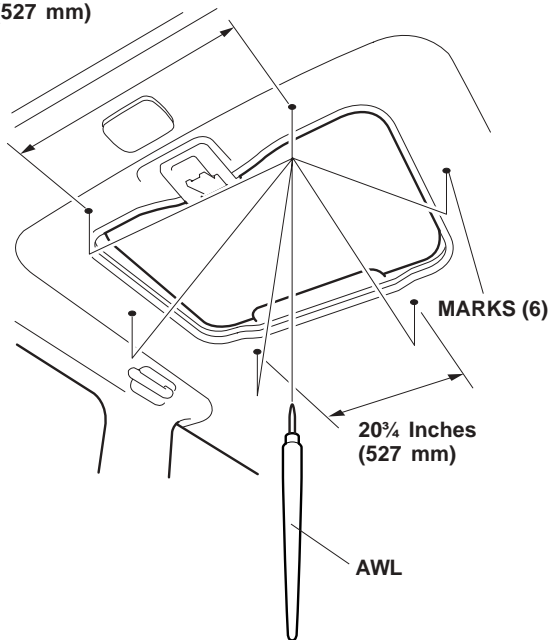
1. Get the template. Using a ball point pen, locate and remove the three small pieces of cardboard in the template to expose the three holes.

- Position the template on the headliner on the right side of the skylight, and insert the tabs of the template between the headliner and the upper plastic trim.



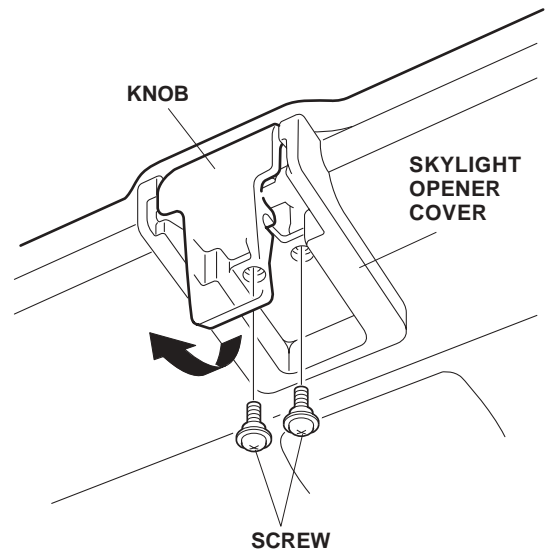
- Using a felt-tip pen, mark the headliner at the center of the three holes in the template. Remove the template.
- Turn the template over, insert the template on the left side, and mark the left side of the headliner the same way.
- Using a tape measure, make sure the distance between the marks is $20\frac{3}{4}$ inches (527 mm).

$20\frac{3}{4}$ Inches
(527 mm)

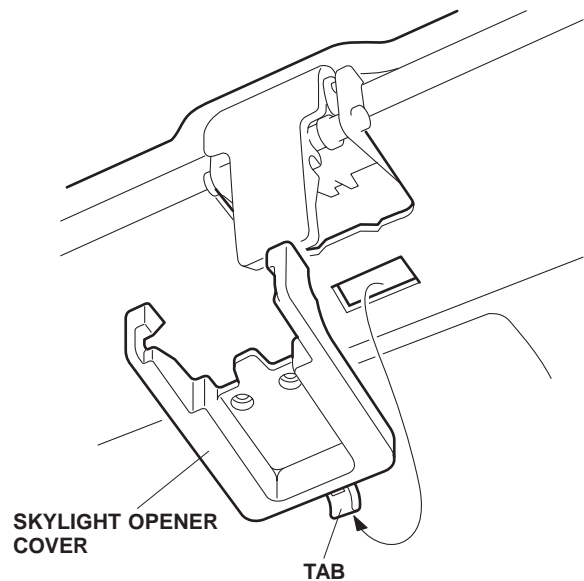


- Using an awl, make a hole through the headliner at each of the six marks on the headliner.

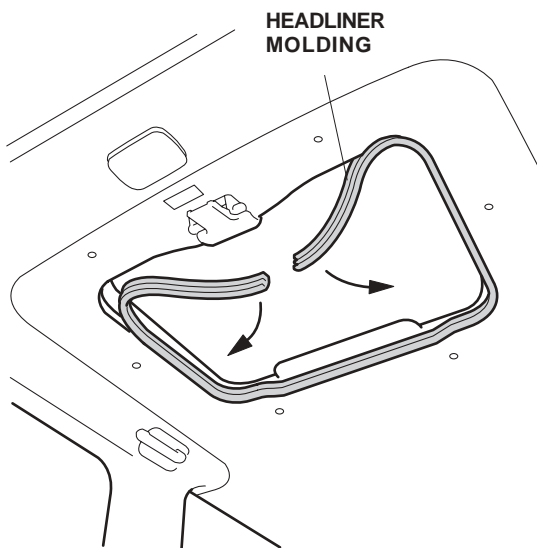
- Lower the skylight opener knob and remove the two screws that secure the skylight opener cover.



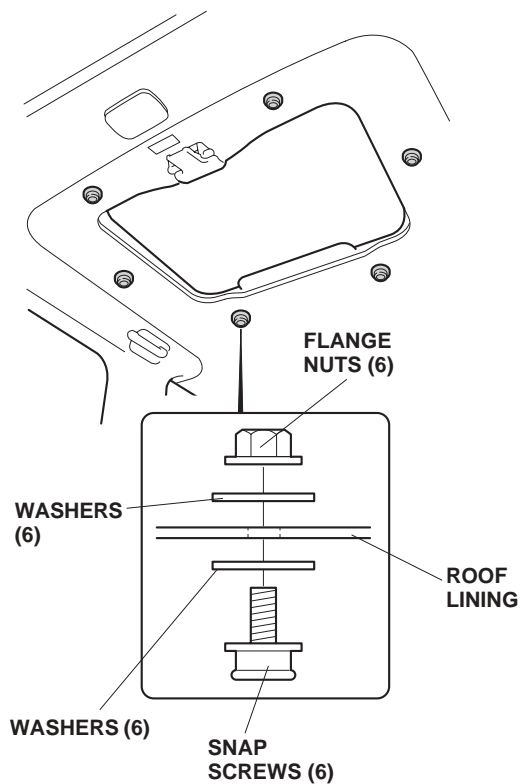
- Disengage the tab and remove the skylight opener cover.



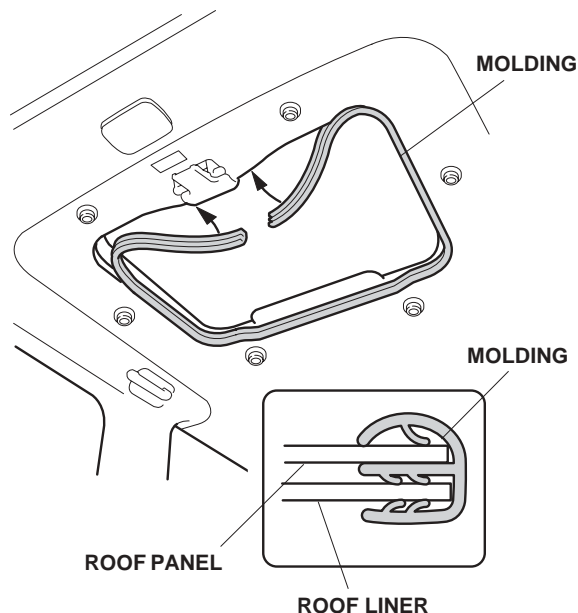
- Remove the headliner molding from the edge of the roof opening.



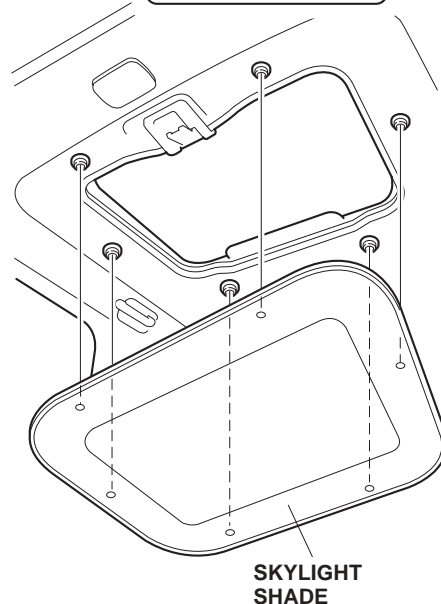
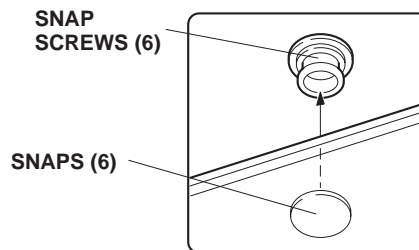
- Gently pull down the headliner and install one snap screw, two washers, and one flange nut through each of the six holes you made in the headliner.



- Reinstall the molding placing it over the roof panel and roof liner.

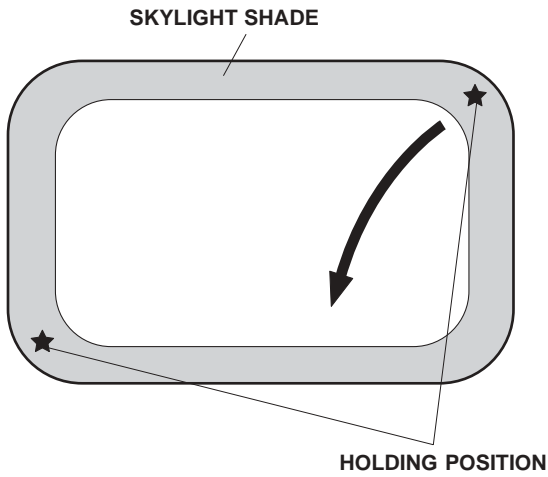


- Reinstall the skylight opener cover.
- Install the skylight shade by engaging the snaps on the shade with the snap screws.

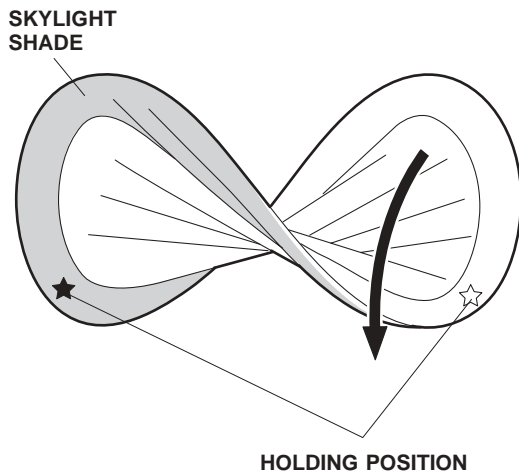


Storing the Skylight Shade

1. Hold the right top and the left bottom corner or the left top and the right bottom corner of the skylight shade and twist as shown.



2. Twist the skylight shade one more time to produce three circles.



3. Adjust the size of the three circles and store the shade in the storage bag.
 - Confirm that the holding positions have come to the outer circle and the circle in the center.
 - All three rear sides of the skylight shade shall face in the same direction.

