



INSTALLATION INSTRUCTIONS

Accessory

AIR DEFLECTOR
P/N 08P47-SCV-100

Application

2003 ELEMENT

Publications No.

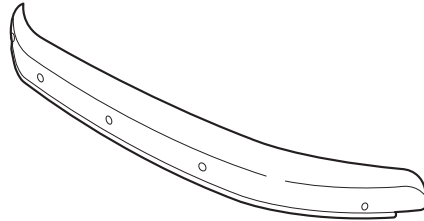
All 24274

Issue Date

DEC 2002

PARTS LIST

Air deflector



Center bracket



2 Front brackets



2 Side brackets



4 Plastic grommets



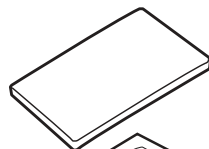
4 Long screws, 5 x 15 mm



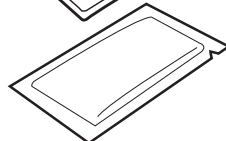
2 Short screws, 6 x 11 mm



5 Protective tapes



Alcohol pad



3 Clips



2 Collars



TOOLS REQUIRED

#2 Phillips screwdriver

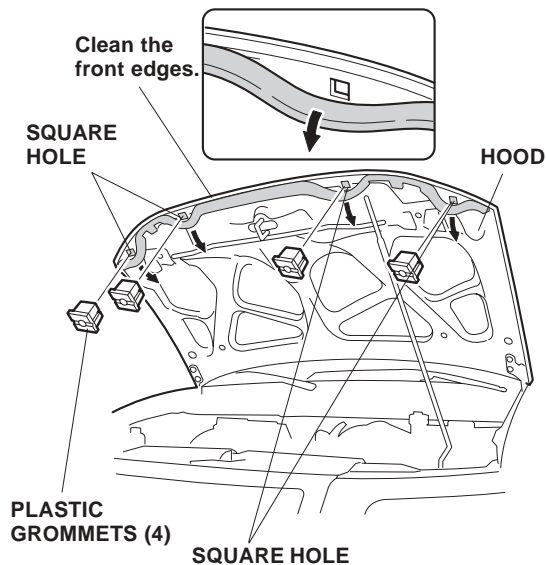
INSTALLATION

Customer Information: The information in this installation instruction is intended for use only by skilled technicians who have the proper tools, equipment, and training to correctly and safely add equipment to your vehicle. These procedures should not be attempted by "do-it-yourselfers."

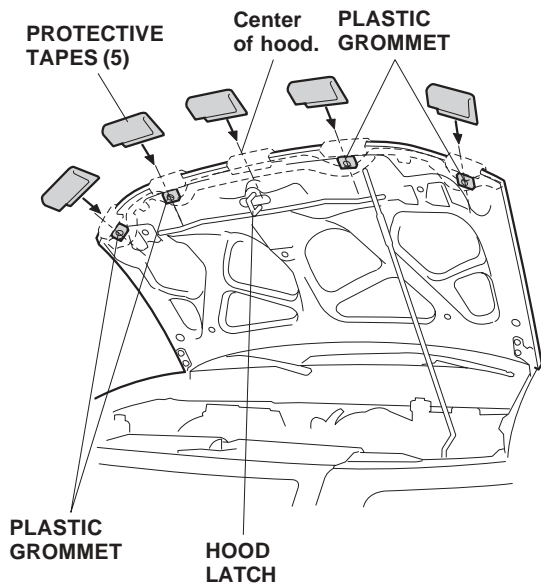
NOTE:

- Be careful not to damage the body finish when you install the air deflector.
- This air deflector should be installed only when the ambient air temperature is 60°F (15°C) or above.

1. Open the hood. Under the rubber molding, locate the four square holes on the inside of the hood. Push one plastic grommet into each square hole.

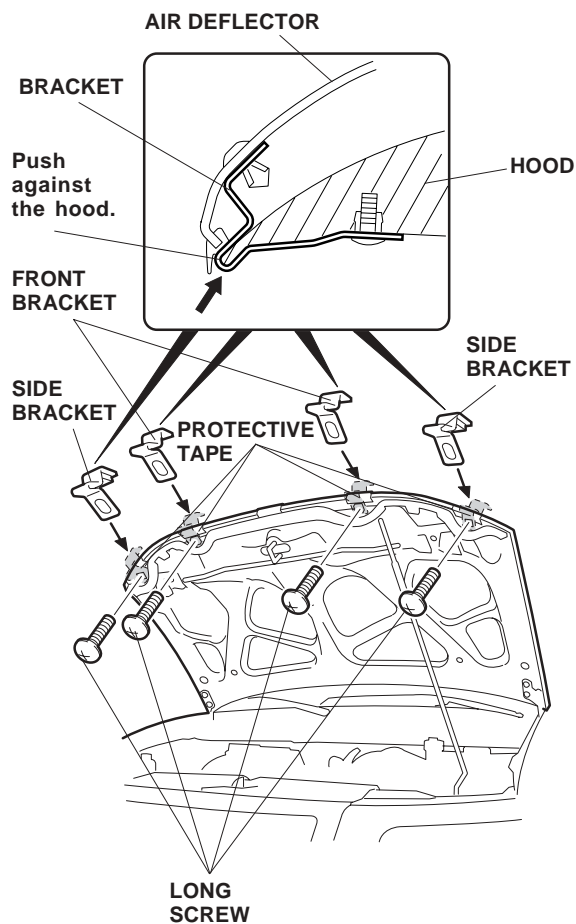


2. Using one alcohol pad (included) clean the front edge and inner lip across the entire hood.
3. Locate the hood area above the four holes where you installed the plastic grommets. Attach four protective tapes around the front lip of the hood at each grommet location.

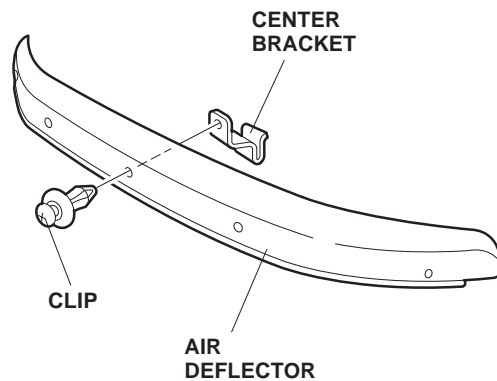


4. Attach the remaining protective tape around the front lip at the center of the hood above the hood latch.

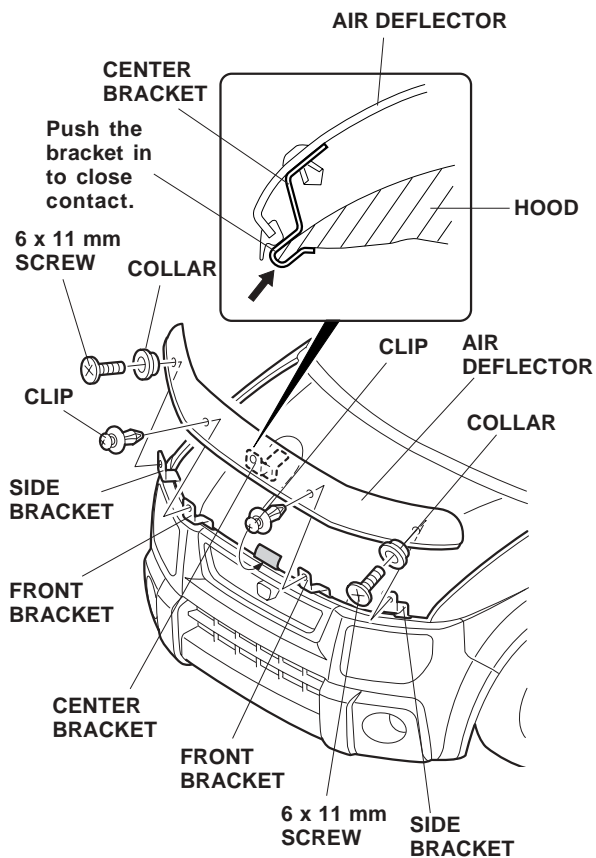
5. Install the two side brackets and the two front brackets around the hood on top of the protective tapes using the four long screws. Do not completely tighten the four screws at this time.



6. Attach the center bracket to the air deflector using one clip.



- Close the hood, and position the air deflector on the hood by sliding the center bracket over the protective tape, and aligning the holes in the air deflector over the four brackets. Install the two short 6 x 11 mm screws with collars to the side bracket holes, and the two remaining clips to the front bracket holes.



- Open the hood. Push the center and side brackets against the hood and tighten the four screws installed in step 5

NOTE: After the air deflector is installed, tell your customer not to wash the vehicle for 24 hours to give the adhesive time to cure.