



# INSTALLATION INSTRUCTIONS

Accessory

SUBWOOFER KIT

Application

2005 CR-V

Publications No.

All 27194

Issue Date

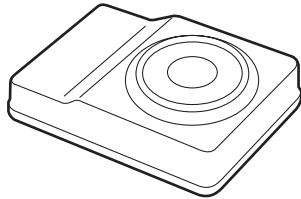
SEP 2004

**NOTE:** The subwoofer *can not* be installed with an under-seat CD changer.

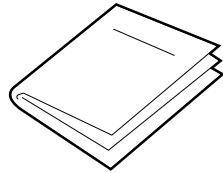
## PARTS LIST

**Subwoofer Kit:**  
P/N 08A39-5E1-010

Subwoofer

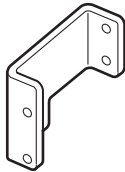


Owner's manual

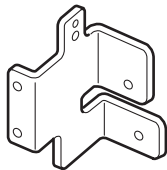


**Subwoofer Attachment Kit:**  
P/N 08B39-S9A-101

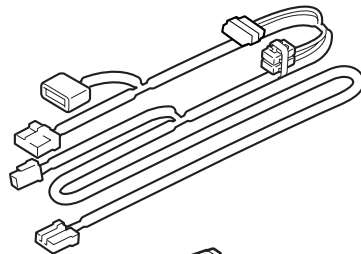
Right subwoofer bracket



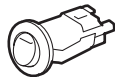
Left subwoofer bracket



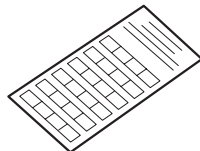
Subwoofer harness



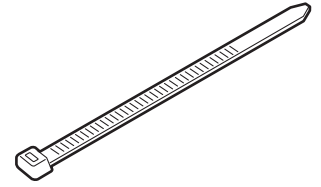
Switch



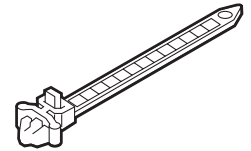
Fuse label



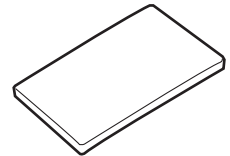
15 Wire ties



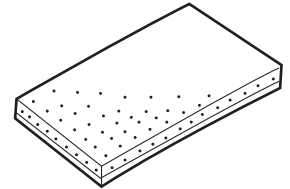
Wire tie with clip



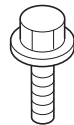
4 Cushion tapes



EPT sealer



4 Washer bolts, 6 x 12 mm



Washer bolt, 5 x 10 mm  
(not used)



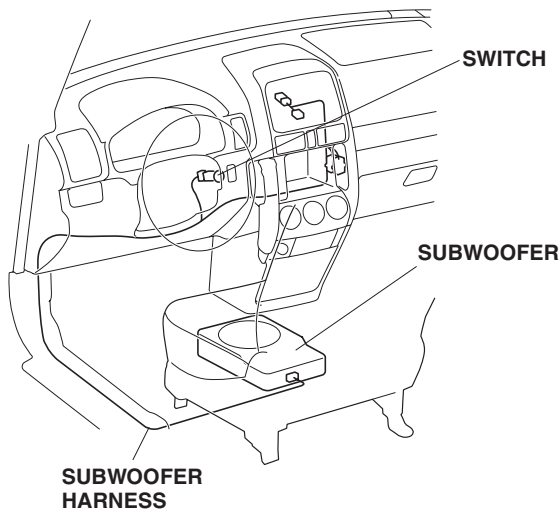
Flange nut, 5 mm  
(not used)



## TOOLS AND SUPPLIES REQUIRED

#2 Phillips screwdriver  
Flat-tip screwdriver  
Stubby Phillips screwdriver  
Utility knife  
Scissors  
Tape measure  
Isopropyl alcohol  
(Isopropyl alcohol, in a 60/40 solution with water)  
Ratchet  
10 mm Socket  
14 mm Combination wrench  
Shop towel  
13/16" (20 mm) Hole saw  
Center punch  
Eye protection (face shield, safety goggles, etc.)

### Illustration of the Subwoofer Installed on the Vehicle:

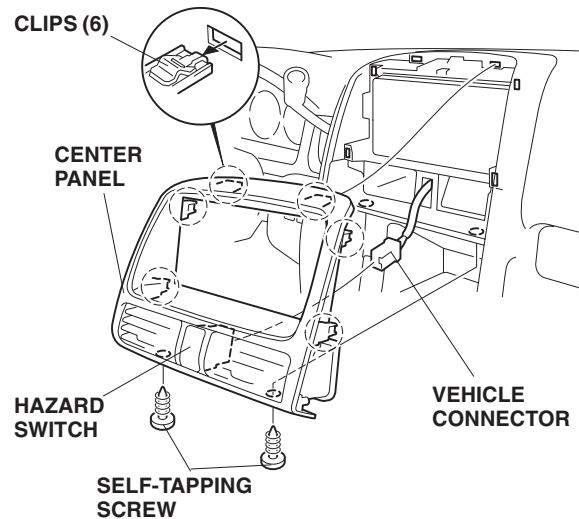


## INSTALLATION

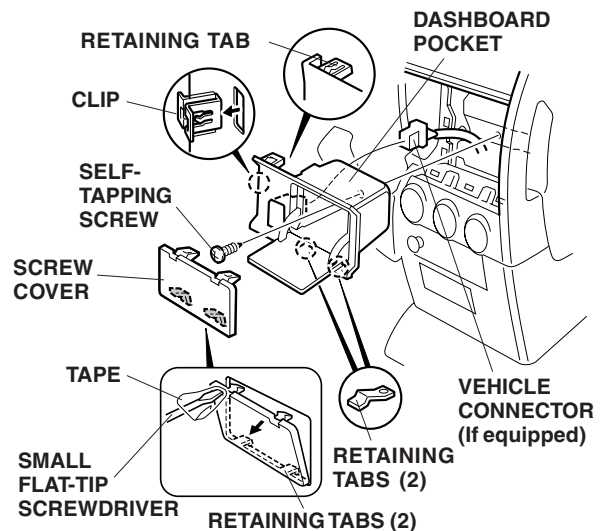
**Customer Information:** The information in this installation instruction is intended for use only by skilled technicians who have the proper tools, equipment, and training to correctly and safely add equipment to your vehicle. These procedures should not be attempted by "do-it-yourselfers."

1. Make sure you have the anti-theft code for the radio, then write down the radio station presets.
2. Disconnect the negative cable from the battery.

3. Remove the two screws that fasten the bottom of the center panel.

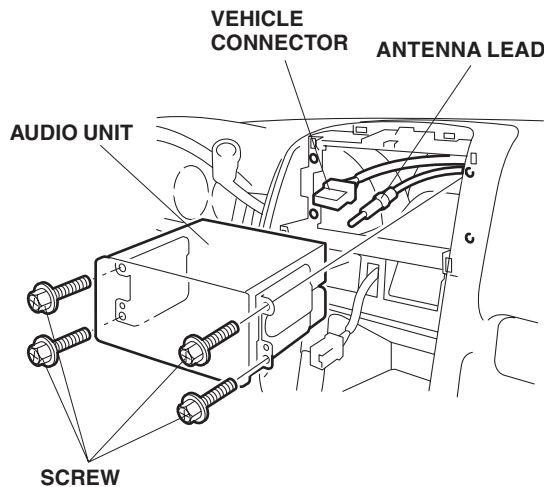


4. Pull the center panel out toward you to release the six clips, unplug the vehicle connector from the hazard switch, and remove the center panel. Be careful not to damage the clips.
5. Open the dashboard pocket lid. Using a small flat-tip screwdriver wrapped with tape, remove the screw cover (two retaining clips and two retaining clips).

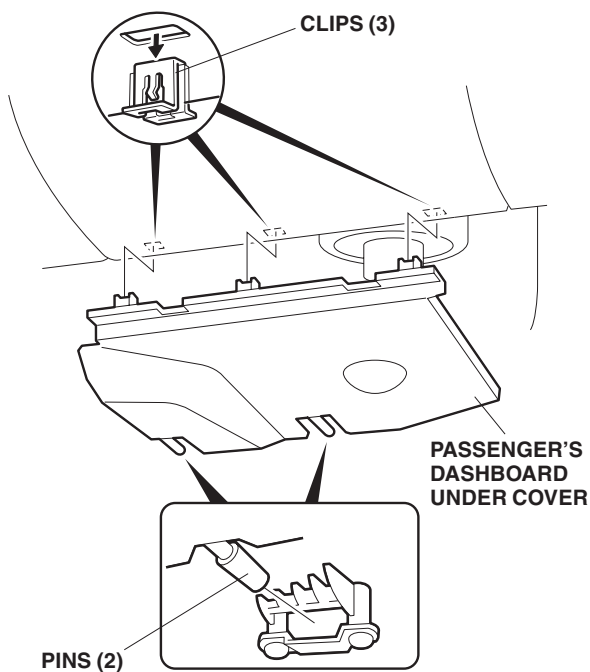


6. Remove the dashboard pocket (one self-tapping screw, and pull out to release one clip and three retaining tabs.) If equipped, unplug the vehicle connector.

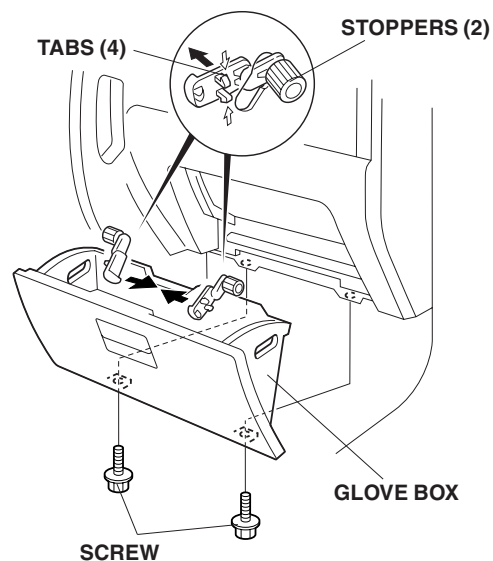
- Remove the audio unit (four self-tapping screws, pull the audio unit out toward you, and unplug the vehicle connector and the antenna lead).



- Remove the passenger's dashboard under cover (release the three clips and two pins).



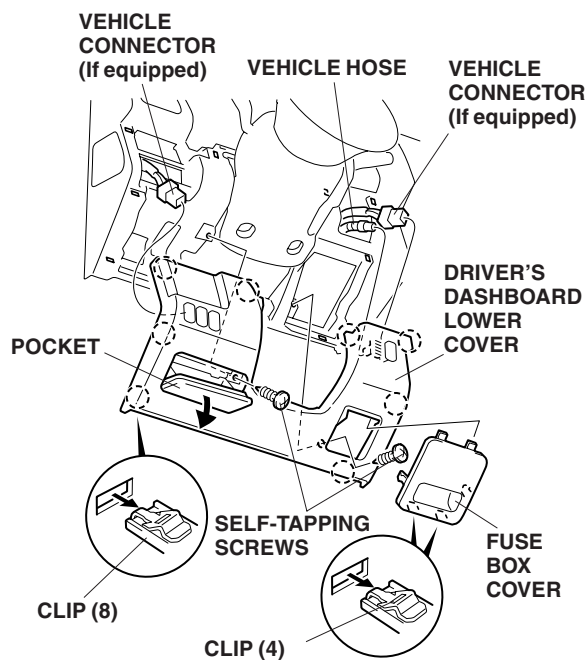
- Open the glove box. Release the right and left stoppers by releasing the four tabs.



- Remove the two screws from the bottom of the glove box, and remove the glove box.

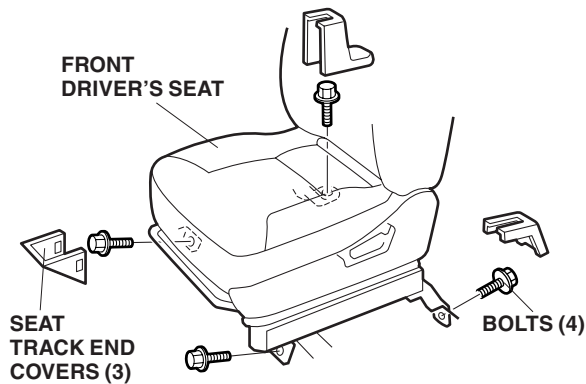
- Remove the driver's dashboard lower cover:

- Remove the fuse box cover, and open the pocket.
- Remove the two self-tapping screws.
- Gently pull out on the dashboard lower cover to release the eight clips. If equipped, unplug the vehicle connector(s) and the vehicle hose, and remove the lower cover.

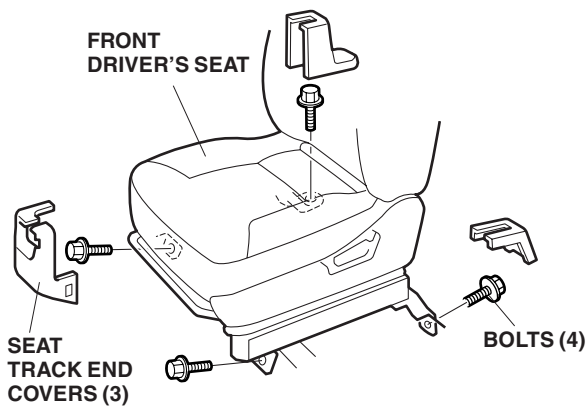


12. Remove the three seat track end covers from the right, then remove the four bolts that secure the front driver's seat.

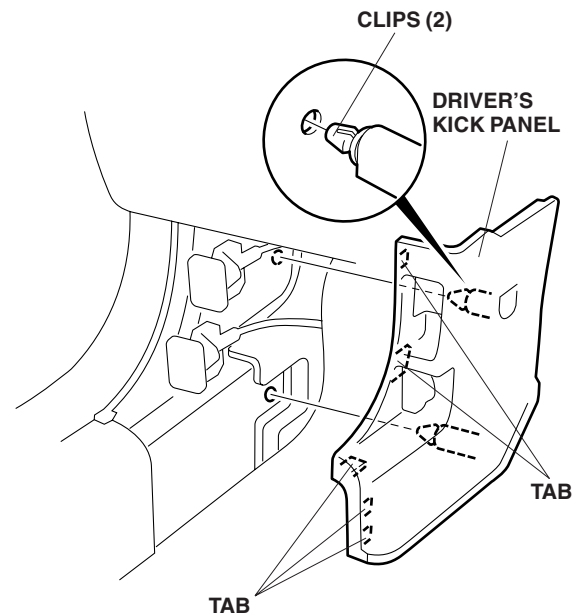
**M/T Vehicle:**



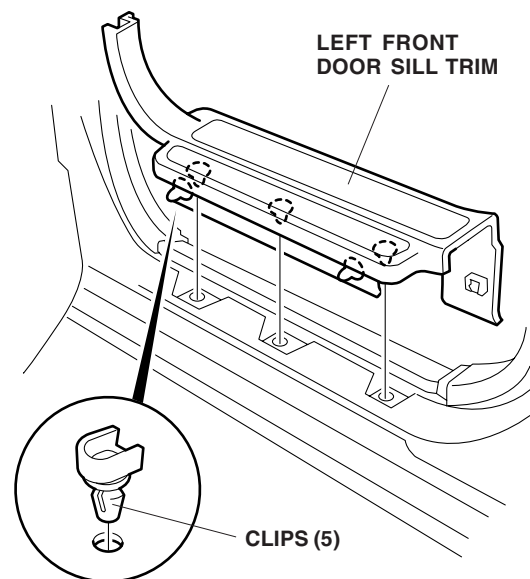
**A/T Vehicle:**



13. Remove the driver's kick panel by pulling it out toward you to release the two clips, and then back to release the five tabs. Take care not to damage the clips.

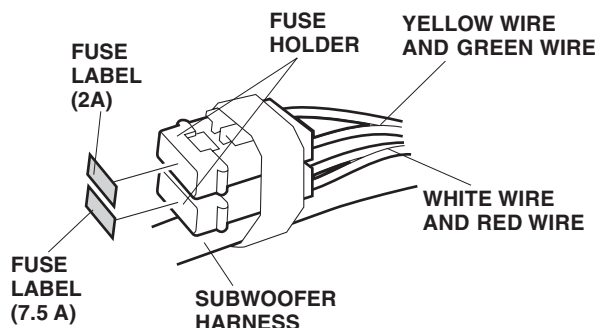


14. Gently slide the front driver's seat toward the center of the vehicle. Be careful not to pull the yellow SRS harness too tight.
15. Reach inside the vehicle, and pull out on the bottom of the left front door sill trim to release the two clips; then lift it up to release the three clips, and remove the trim.

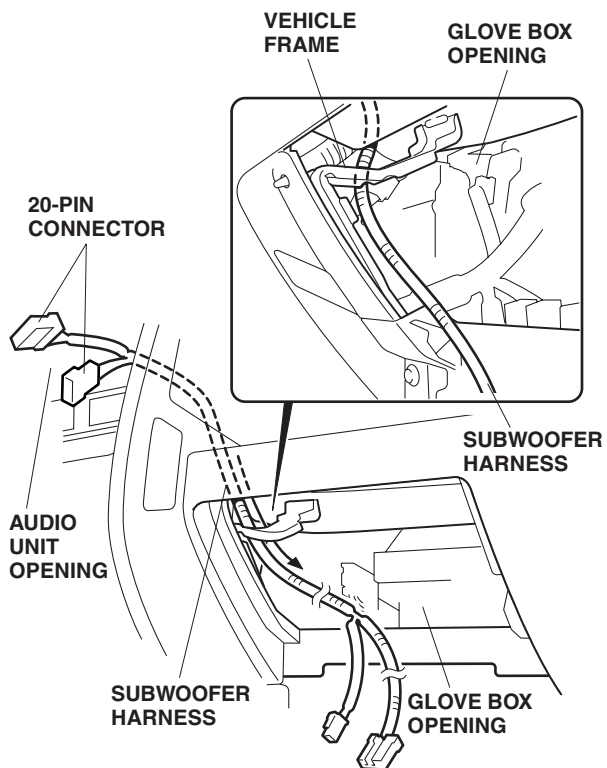


### Routing the Subwoofer Harness

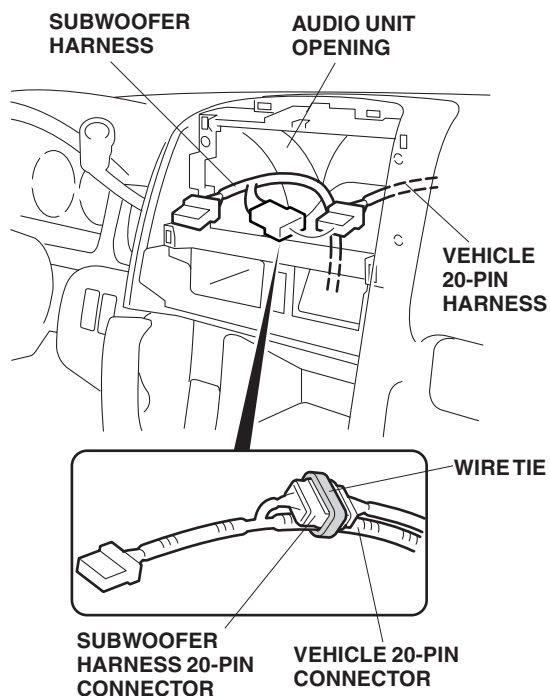
- Attach the two fuse labels (“OPTION 7.5A” “OPTION 2A”) to the fuse holder on the subwoofer harness as shown.



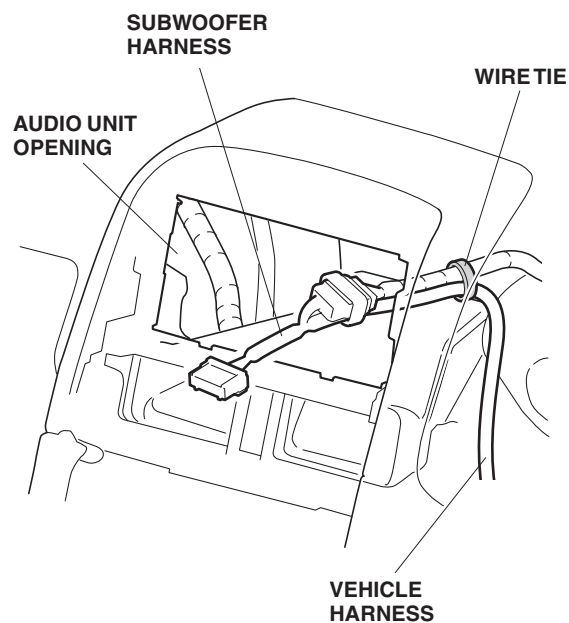
- Route the subwoofer harness 20-pin connector up to the audio unit opening in the dashboard, then route the subwoofer harness to the glove box opening.



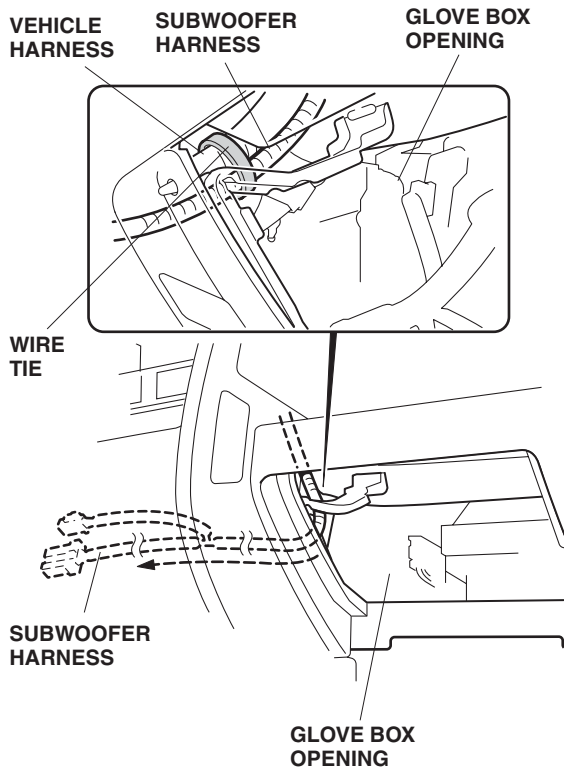
- At the audio unit opening, connect the subwoofer harness 20-pin connector to the vehicle 20-pin connector, then secure the connector to the harness with one wire tie in the area shown.



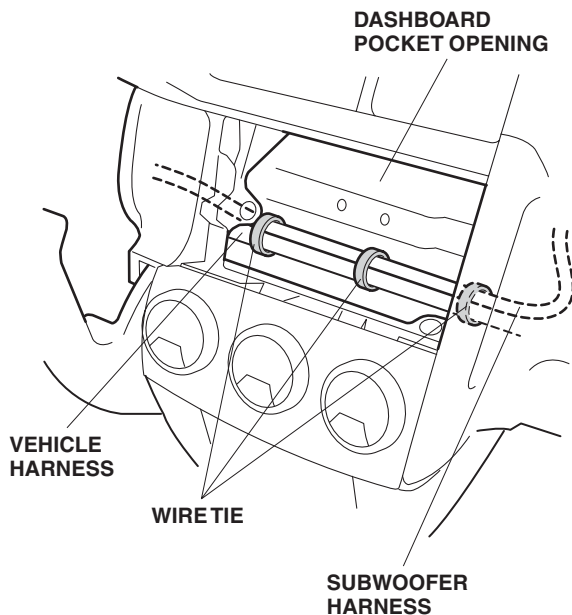
- At the audio unit opening, secure the subwoofer harness to the vehicle harness using one wire tie in the area shown.



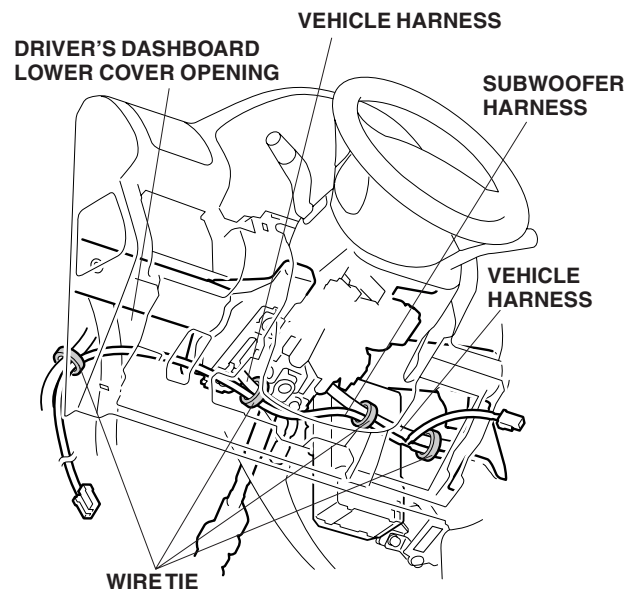
20. Continue routing the subwoofer harness to the driver's dashboard lower cover opening.



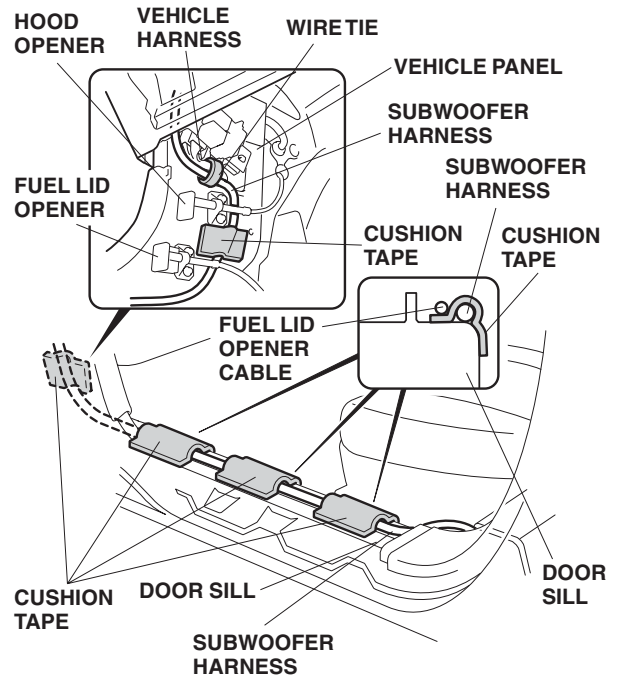
21. Secure the subwoofer harness to the vehicle harness using one wire tie.
22. At the dashboard pocket opening, secure the subwoofer harness to the vehicle harness using three ties in the areas shown.



23. Route the subwoofer harness toward the left, and secure it to the vehicle harness using four wire ties in the areas shown.



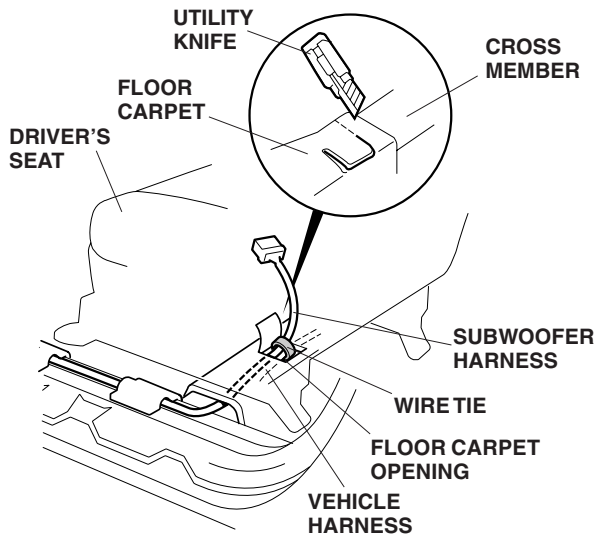
24. Route the subwoofer harness to the rear as shown, and secure the subwoofer harness to the vehicle harness using one wire tie in the area shown.



25. Using isopropyl alcohol on a shop towel, clean the areas where the cushion tapes will attach. Secure the subwoofer harness to the vehicle panel and the door sill using four cushion tapes in the areas shown.



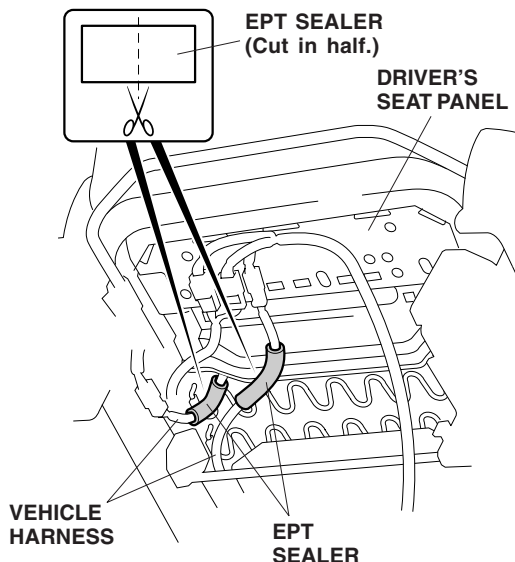
- Using a utility knife, cut into the floor carpet to the end of the cross member. Be careful not to damage the wire harnesses routed under the floor carpet.



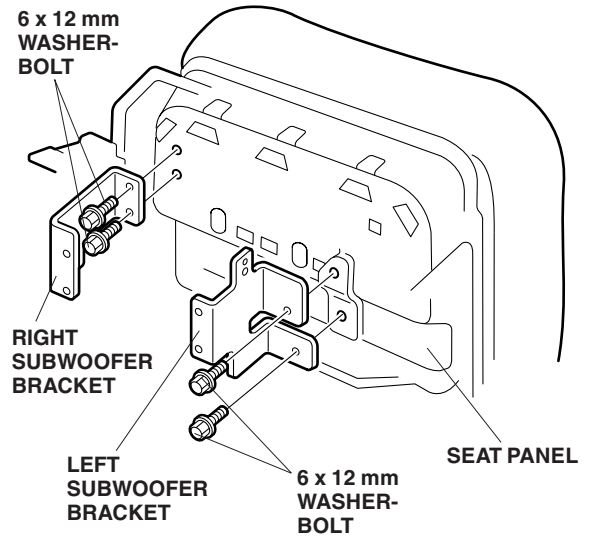
- Turn over the floor carpet, and route the subwoofer harness under the floor carpet at the cross member, and out through the cut you made in the floor carpet as shown.
- Secure the subwoofer harness to the vehicle harness using one wire tie in the area shown.

### Installing the Subwoofer

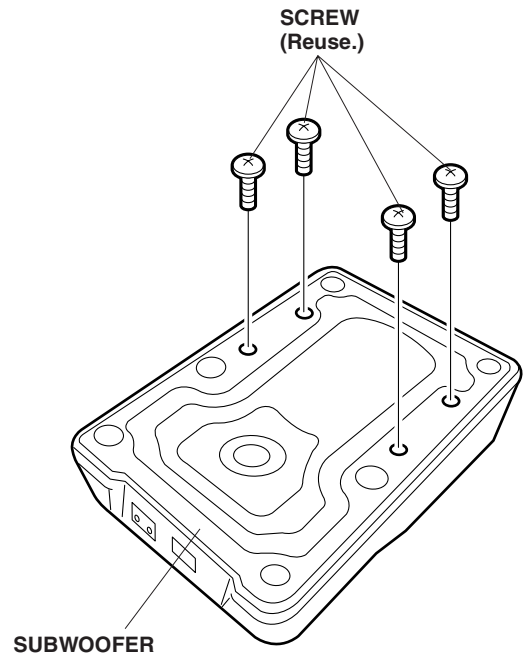
- Using scissors, cut one EPT sealer in half. Wind the two piece of EPT sealer onto the two vehicle harnesses in the positions where they contact the edge of the seat panel.



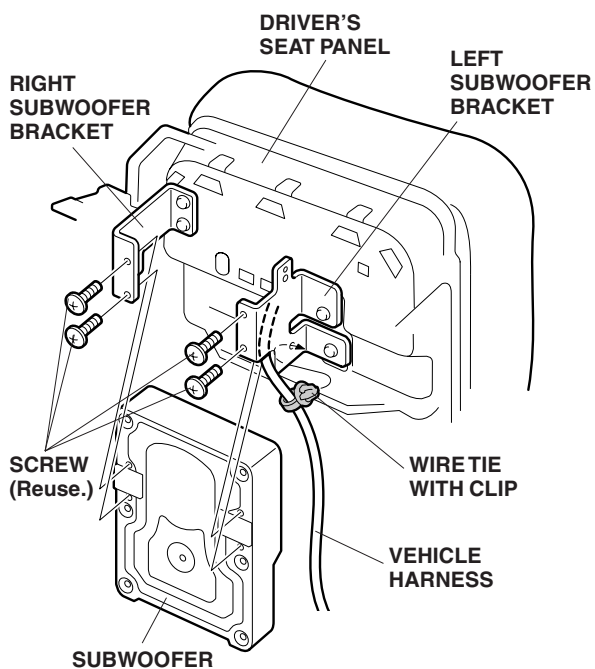
- Position the right and left brackets on the seat panel under the driver's seat, and install the four 6 x 12 mm washer-bolts.



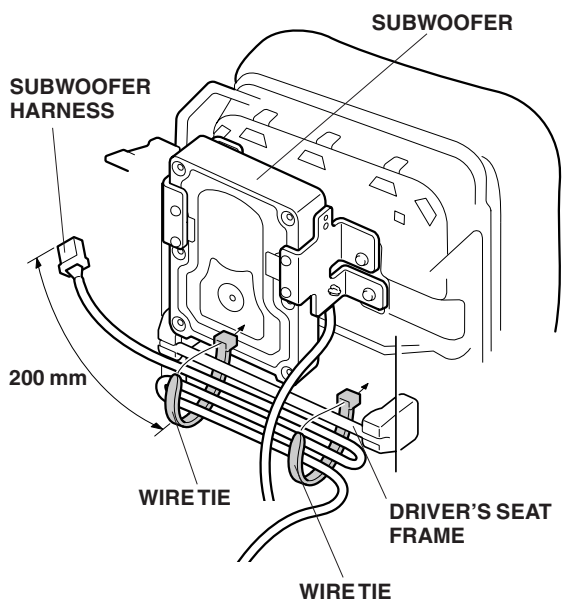
- Remove the four screws from the subwoofer.



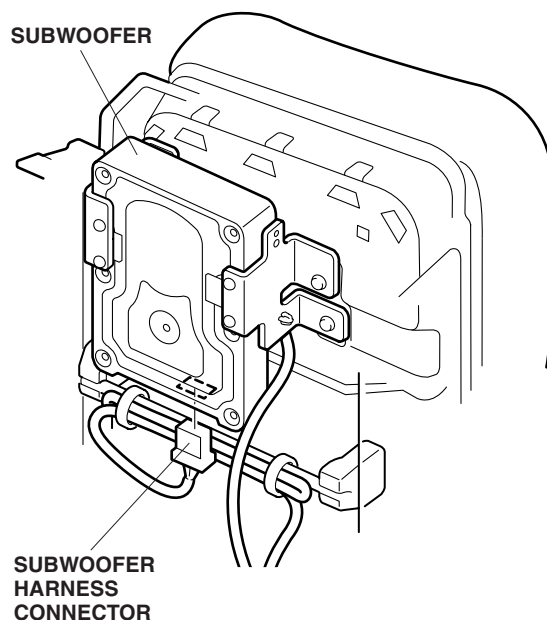
32. Secure the vehicle harness to the left subwoofer bracket using one wire tie with clip.



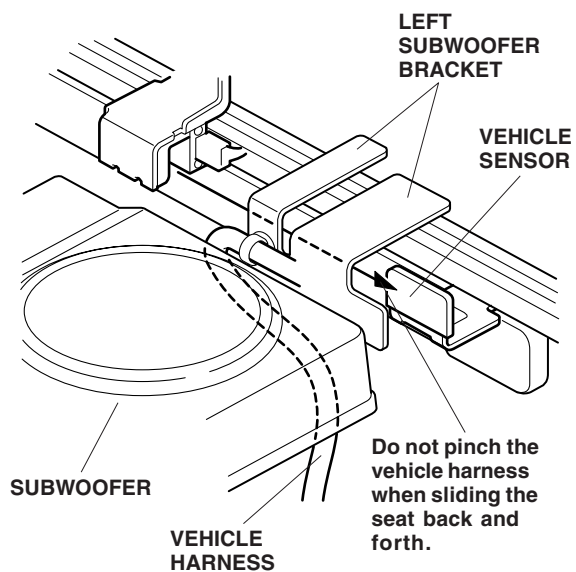
33. Install the subwoofer to the subwoofer brackets using four screws.
34. Secure the subwoofer harness to the driver's seat frame with two wire ties in the areas shown.



35. Plug the subwoofer harness connector into the subwoofer.

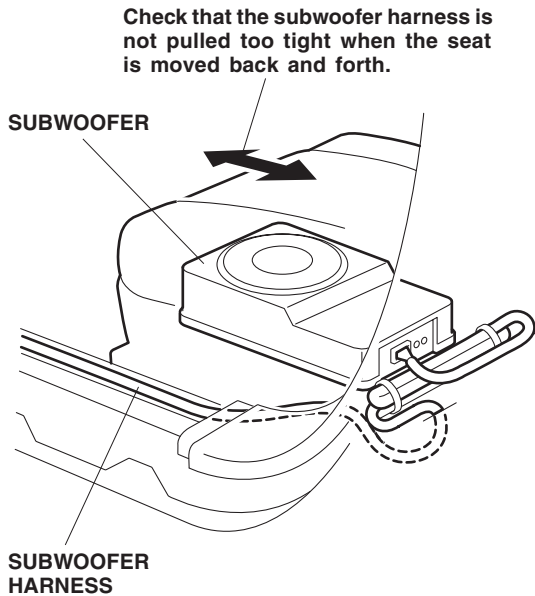


36. Reinstall the front driver's seat. Torque the seat bolts to 32-38 N·m (24-28 lb-ft).
37. Remove the slack in the vehicle harness to prevent the harness from being pinched by the vehicle sensor when sliding the seat back and forth.

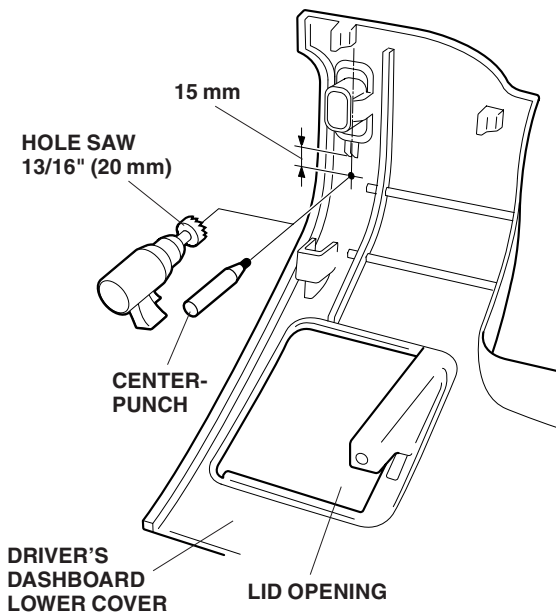




38. Slide the front driver's seat back and forth to check that the subwoofer harness is not pulled too tight or is too loose.

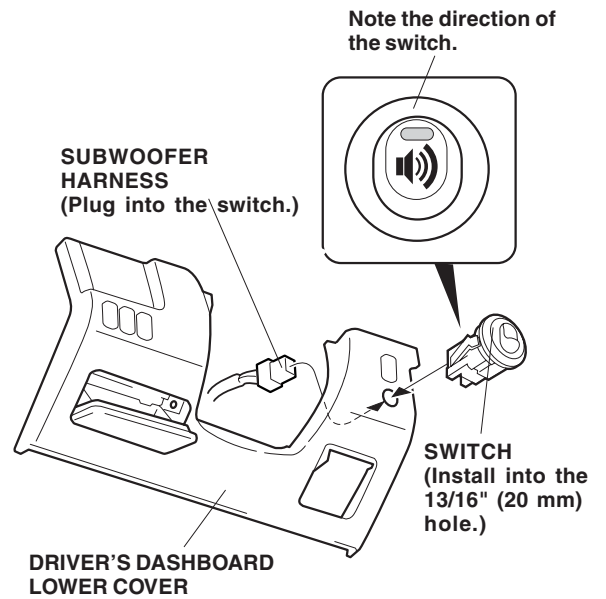


39. Using a tape measure and a felt-tip pen, measure and mark the driver's dashboard lower cover as shown. Lightly center-punch the mark.

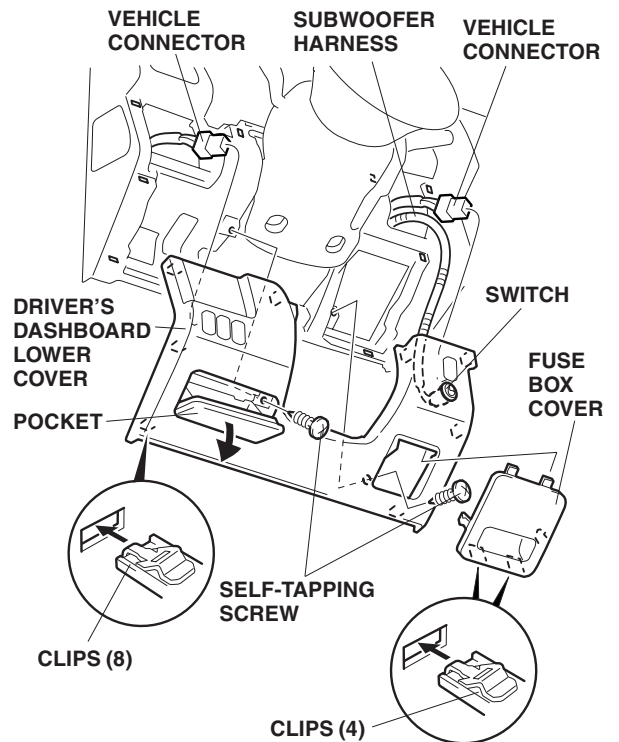


40. While wearing eye protection, drill a 13/16" (20 mm) hole through the center-punch mark. After drilling, remove any burrs from the edge of the hole.

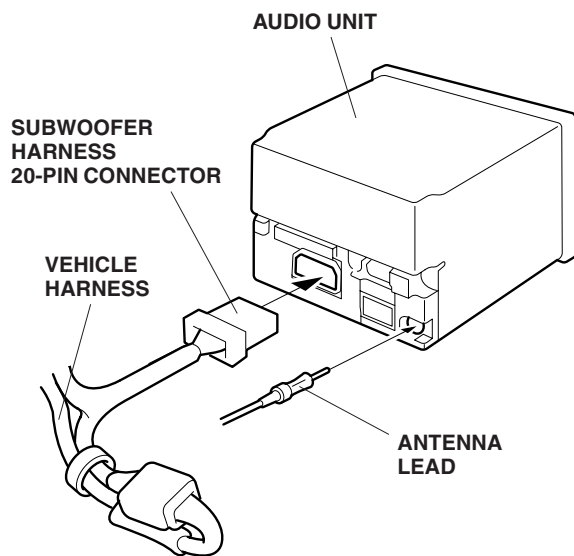
41. Install the switch into the 13/16" (20 mm) hole. Note the direction of the switch.



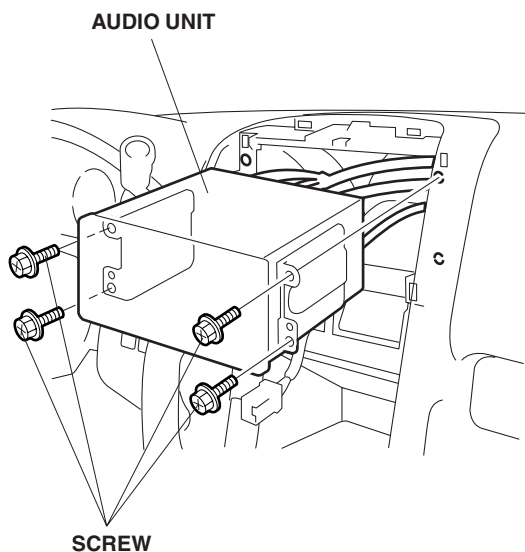
42. Plug the subwoofer harness connector into the switch.
43. Reinstall the driver's dashboard lower cover.



44. At the audio unit opening, plug the 20-pin connector from the subwoofer harness, and the vehicle antenna lead into the rear of the audio unit.



45. Slide the audio unit into the opening in the dashboard, and reinstall the four screws.



46. Check that all wire harnesses are routed properly, and all connectors are plugged in.
47. Reinstall all removed parts.
48. Reconnect the negative cable to the battery.
49. Set the clock, and reset the radio station presets.
50. Check the operation of the automatic day/night mirror according to the Owner's Manual supplied.
51. Start the engine. Push down on the driver's window switch until the window is fully open.
52. Pull up on the driver's window switch fully to close the window completely, then hold the switch for 2 seconds.
53. Test the driver's window AUTO function.