



INSTALLATION INSTRUCTIONS

Accessory

ROOF RACK
P/N 08L02-S9A-102

Application

2005 CR-V

Publications No.

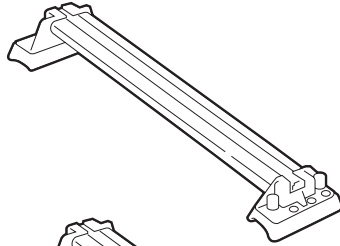
All 27162

Issue Date

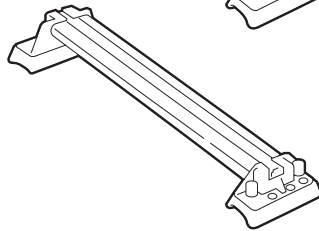
SEP 2004

PARTS LIST

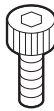
Front roof rack (long)



Rear roof rack (short)



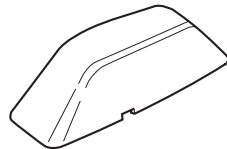
12 Socket bolts



12 Plain washers



4 End covers



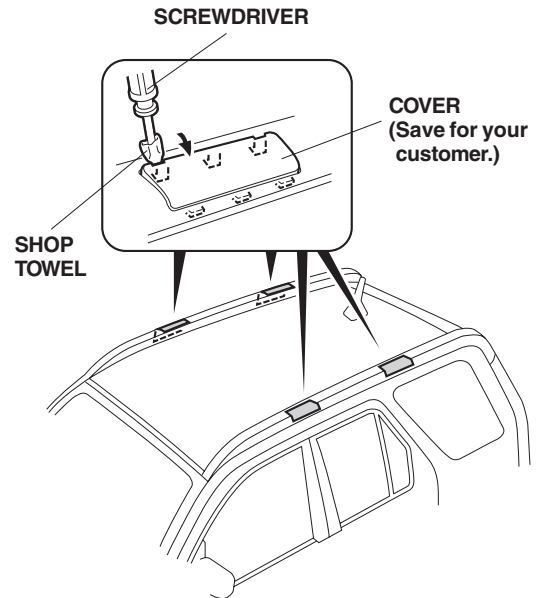
TOOLS REQUIRED

5 mm Hex wrench
Flat-tip screwdriver
Shop towel
T-25 Torx wrench

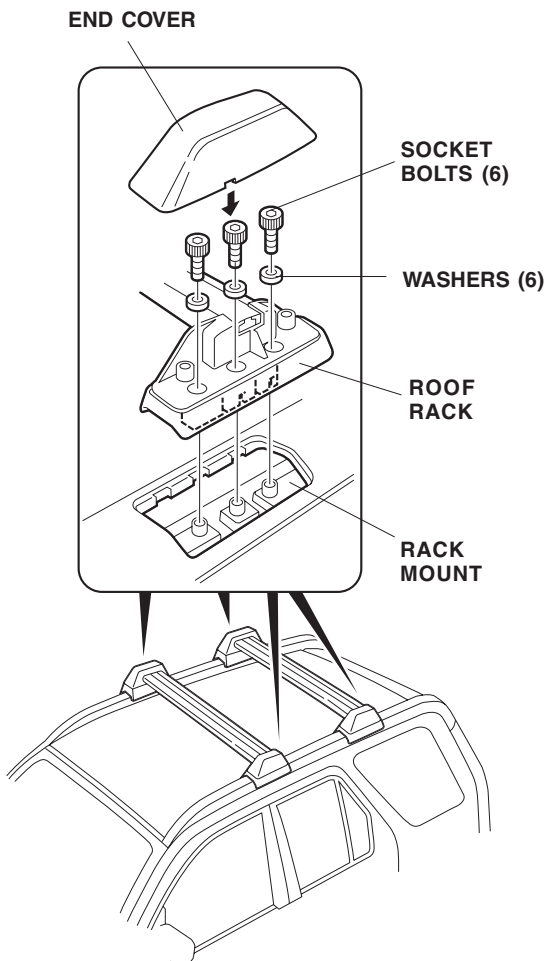
INSTALLATION

NOTE: Be careful not to damage the roof and other finished surfaces of the body when installing the roof rack.

1. Using a flat-tip screwdriver wrapped with a shop towel, remove the four covers from the roof trim.



2. Position the roof rack (marked "Front") on the front rack mount, and install the six washers and six socket bolts. If the socket bolts do not line up, it may be necessary to loosen the slotted Torx bolts on the crossbar. Torque the socket bolts to 10 N·m (7 lbf·ft). If loosened, retorque the Torx bolts to 10 N·m (7 lbf·ft)



3. Repeat step 2 to install the rear crossbar.
NOTE: The torque of the socket bolts should be checked periodically.
4. Install the end covers.
5. Place the covers (removed in step 1) in the glove box for your customer in the event the roof rack is removed.