



INSTALLATION INSTRUCTIONS

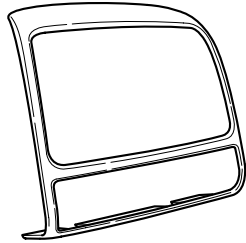
Accessory
INTERIOR TRIM KIT
P/N 08Z03-S9A-100B
P/N 08Z03-S9A-120C

Application
2005 CR-V

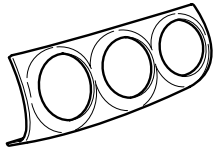
Publications No.
All 27180
Issue Date
SEP 2004

PARTS LIST

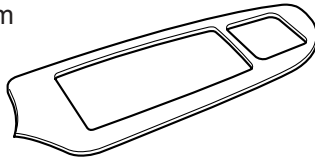
Center trim



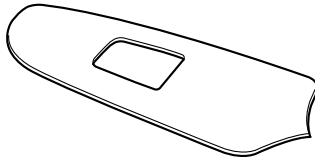
Heater A/C control panel trim



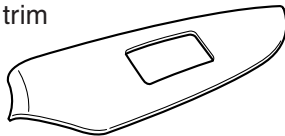
Driver's front door switch trim



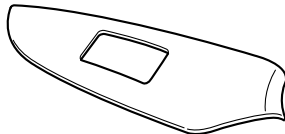
Passenger's front door switch trim



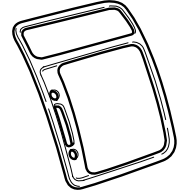
Driver's side rear door switch trim



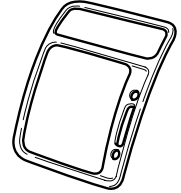
Passenger's side rear door switch trim



Driver's side air outlet trim



Passenger's side air outlet trim



SUPPLIES REQUIRED

- Isopropyl alcohol
- Shop towel
- Masking tape

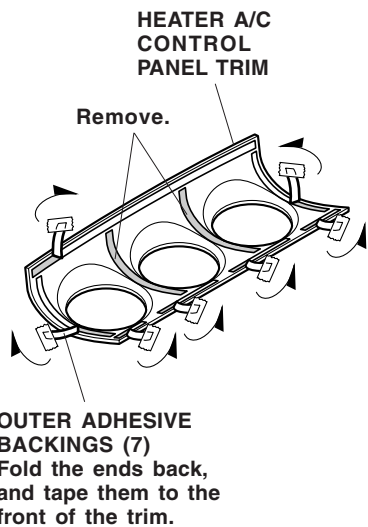
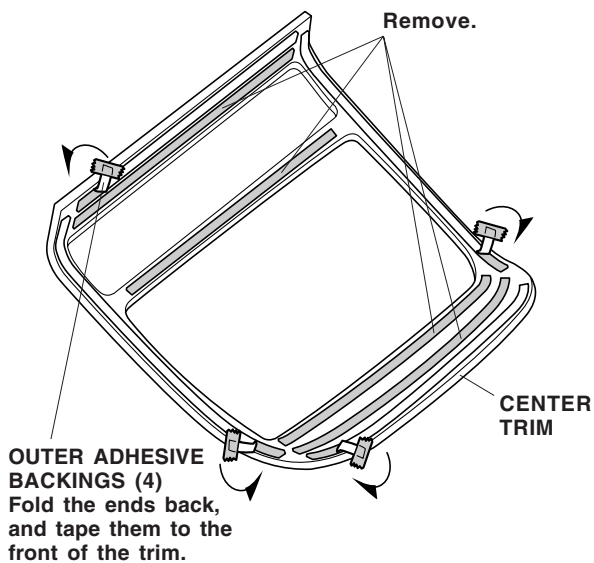
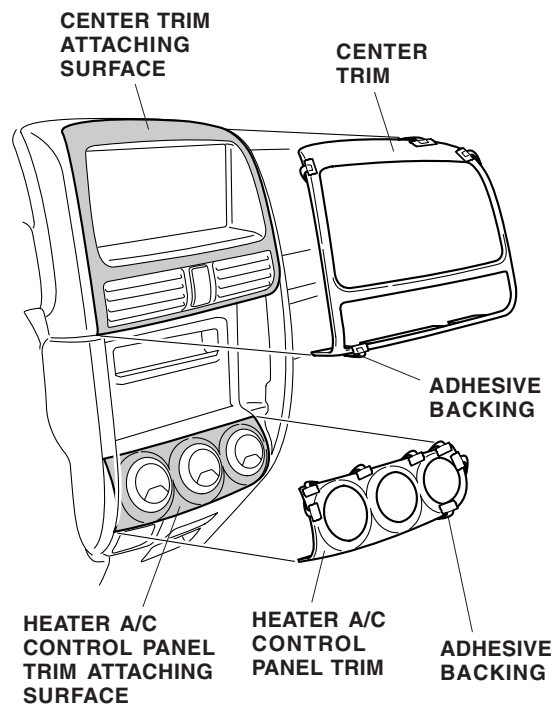
INSTALLATION

NOTE:

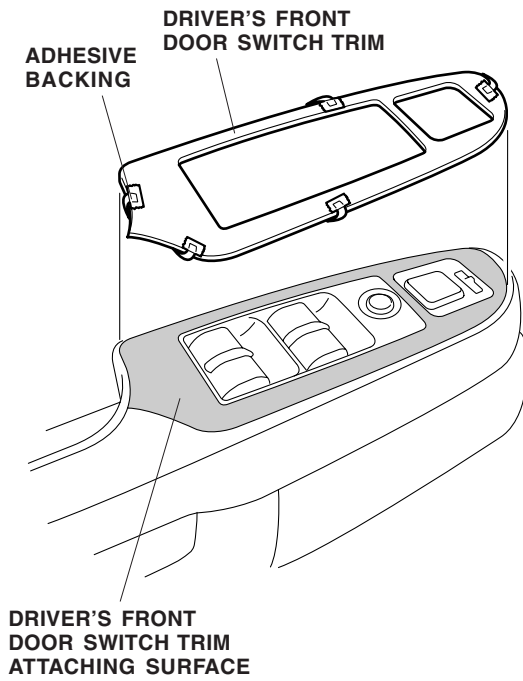
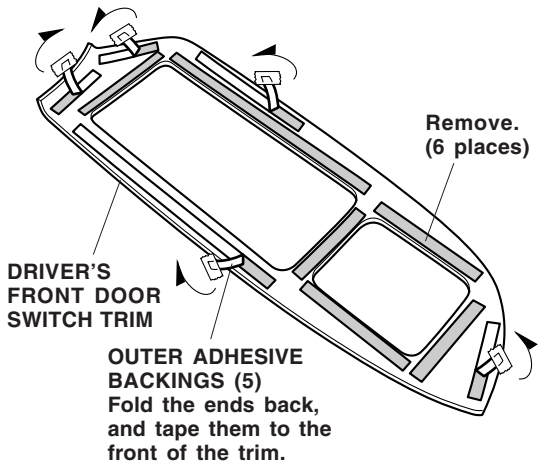
- Be careful not to damage the body paint finish.
- This interior trim kit should be installed only if the outside air temperature is 60°F (15°C) or above.

1. Using isopropyl alcohol on a shop towel, thoroughly clean the areas where the interior trims will attach.
2. Attach a strip of masking tape to the end of each outer adhesive backing. Fold the ends back, and tape them to the front of the trims. Remove and discard the inner adhesive backings.
3. Position the interior trims on the existing panels. While applying light pressure on the inner panels, carefully remove the adhesive backings from the interior trims.
4. After installing each of the trims use the palm of your hand to hold pressure against it for 30 seconds.

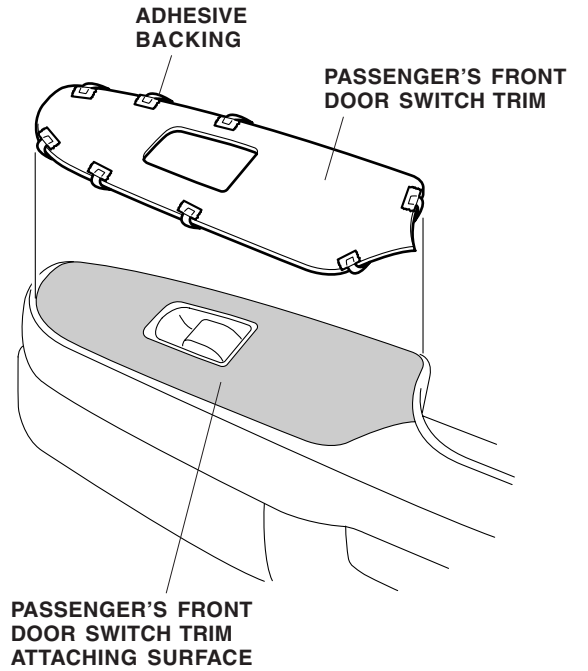
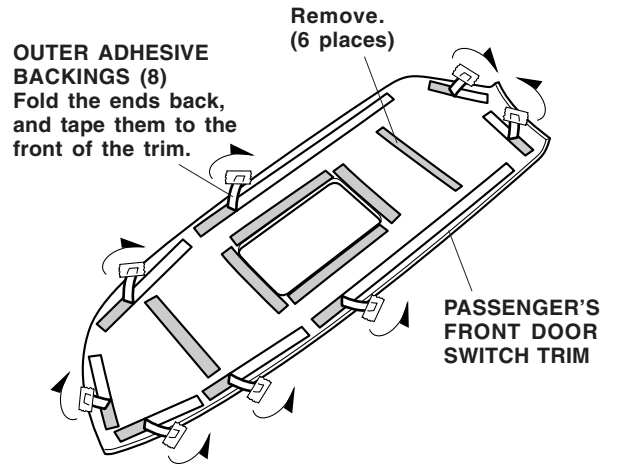
Center Trim/Heater A/C Control Panel Trim:



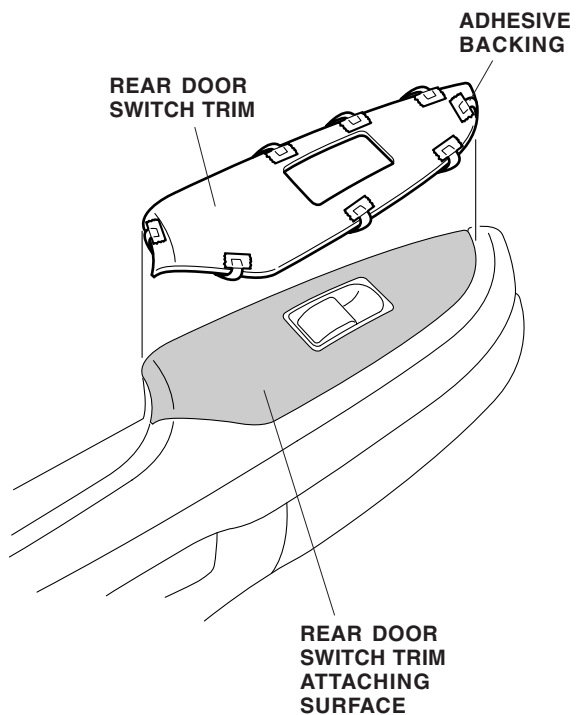
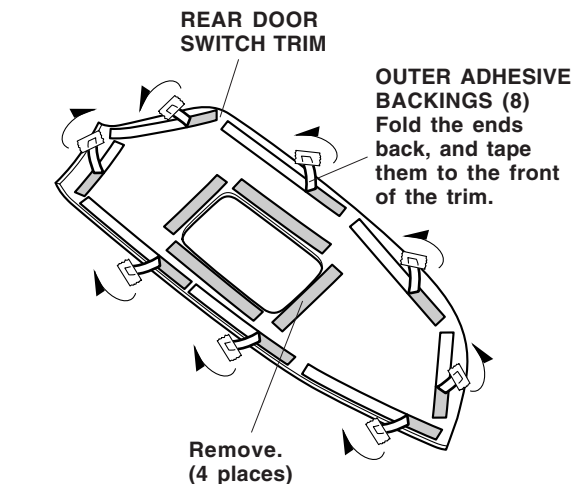
Driver's Front Door Switch Trim:



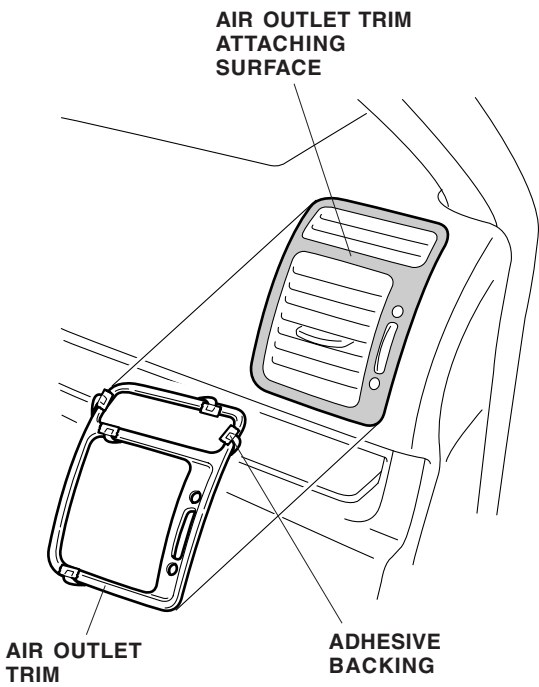
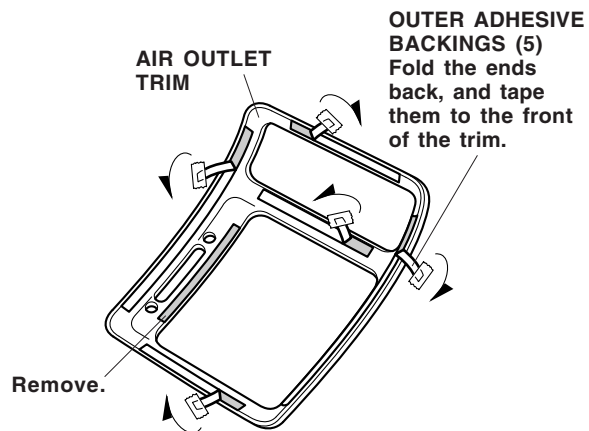
Passenger's Front Door Switch Trim:



Rear Door Switch Trims:



Air Outlet Trims:



USE AND CARE

Use a sponge or soft cloth dampened with mild detergent and water solution. After cleaning, wipe with a clean, soft cloth. Do not use cleaners or polishes containing compounds to clean the interior trims as they may damage the surface.