



INSTALLATION INSTRUCTIONS

Accessory

TRUNK SPOILER (WING)
P/N 08F13-SDA-100

Application

2003 ACCORD
4-DOOR

Publications No.

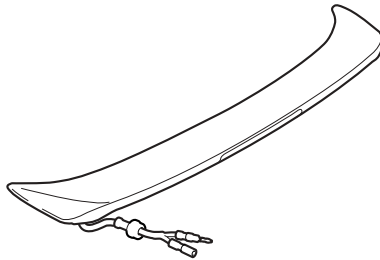
All 24064

Issue Date

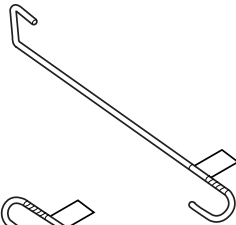
AUG 2002

PARTS LIST

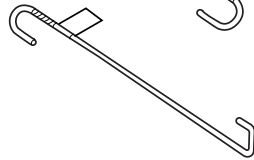
Trunk spoiler



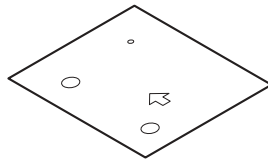
Right trunk spring
(marked red)



Left trunk spring
(marked yellow)



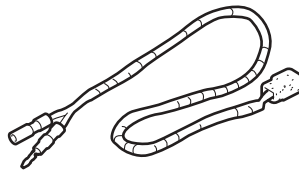
Template



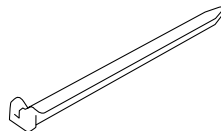
4 Cap nuts



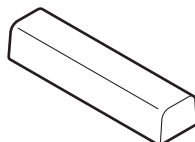
Spoiler harness



12 Wire ties



2 Rubber cushions



TOOLS AND SUPPLIES REQUIRED

Clip remover

Eye protection (face shield, safety goggles, etc.)

Drill

3 mm, 8 mm, and 10 mm Drill bits

Drill stop

10 mm Combination wrench

Felt-tip pen

Center-punch

File

Touch-up paint

Piece of wire

10 mm Socket

Torque wrench

Gloves

Trunk Spring Installer/Remover:

T/N 08M10-SM4-100

Isopropyl alcohol

Shop towel

Tape measure

Utility knife

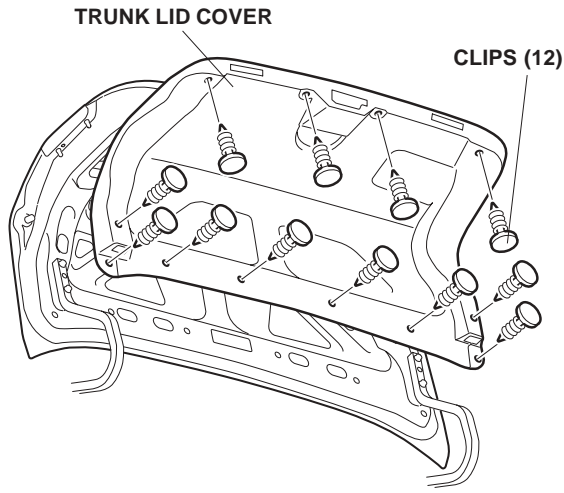
INSTALLATION

Customer information: The information in this installation instruction is intended for use only by skilled technicians who have the proper tools, equipment, and training to correctly and safely add equipment to your car. These procedures should not be attempted by "do-it-yourselfers."

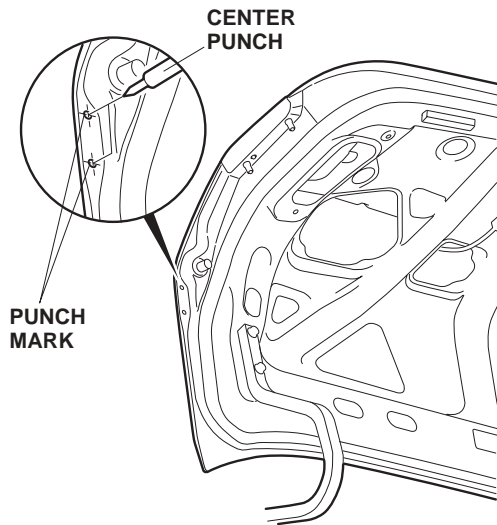
NOTE: Wash and wax the area to be covered with a high-quality paste wax.

Installing the Trunk Spoiler

1. Open the trunk lid. If equipped, remove the trunk lid cover (12 clips).

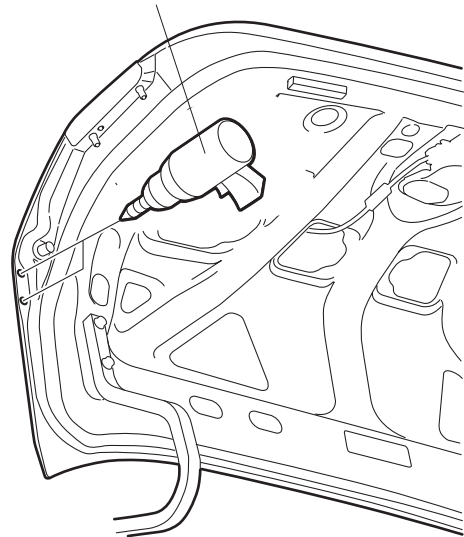


2. On the inside of the trunk lid, locate the two identification marks on the trunk lid. Lightly center-punch each mark. Repeat on the right side of the trunk lid.

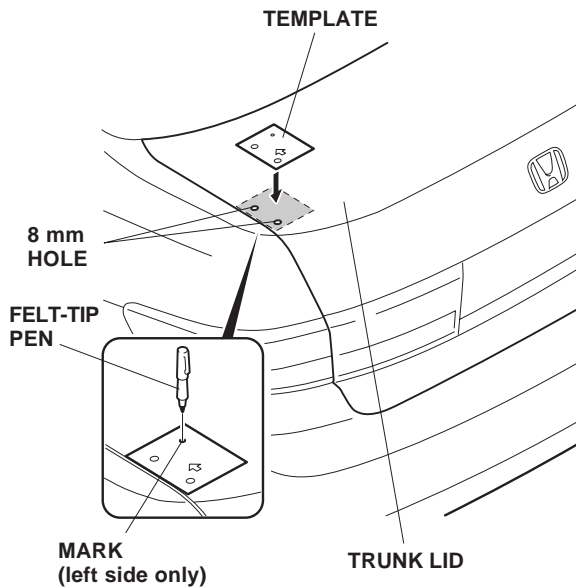


3. While wearing eye protection, drill an 8 mm hole through each mark:
 - To prevent the metal shavings from the falling onto the trunk floor, place a cover over the trunk floor.
 - First drill with a 3 mm drill bit, and finish with an 8 mm drill bit.
 - Remove all burrs and metal shavings, and apply touch-up paint to the edges of the holes.
 - When the touch-up paint is dry, clean the area to be covered, and wax it with a high-quality paste wax.
 - Repeat on the right side of the trunk lid.

DRILL
First drill with a 3 mm drill bit,
and finish with an 8 mm drill bit.

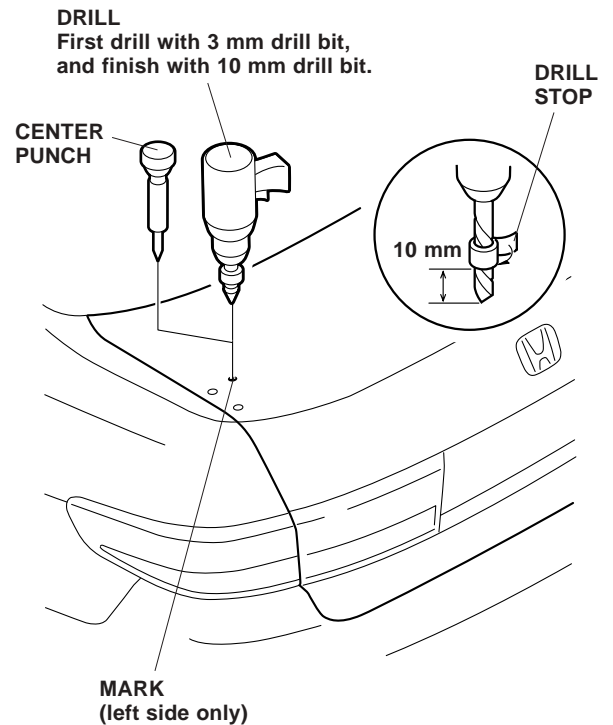


- Close the trunk lid. Position the template, printed side up, at the left (driver's side) edge of the trunk lid. Align the two outer holes in the template with the two holes in the trunk lid. Using a felt-tip pen, mark the trunk lid as indicated on the template. The right side of the trunk lid does not need a hole; mark and drill **only** the left side for the spoiler harness. Remove the template.

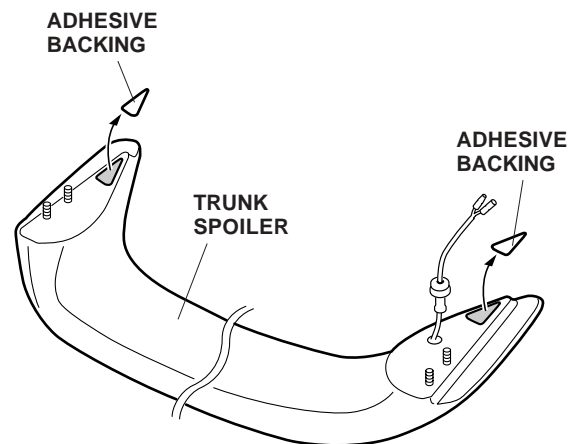


- Lightly center-punch the mark. While wearing eye protection, drill a 10 mm hole at the center-punched mark through the outer skin of the trunk lid; this hole is for routing the spoiler harness through the trunk lid. Use a drill stop to avoid drilling through the inner panel:

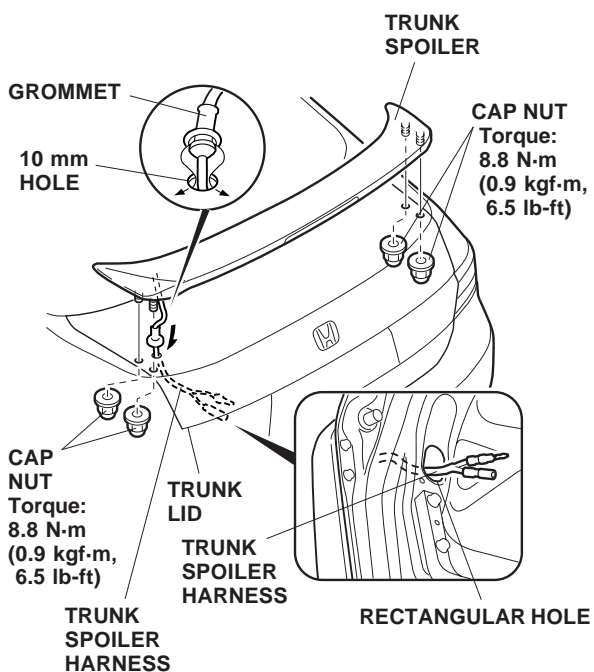
- First drill with a 3 mm drill bit, and finish with a 10 mm drill bit.
- Remove all burrs and metal shavings, and apply touch-up paint to the edge of the hole you drilled.



- Remove the two adhesive backings from the trunk spoiler.



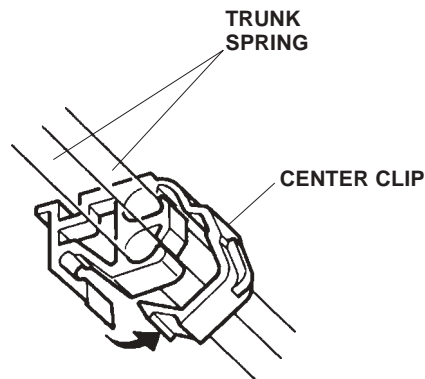
- Using isopropyl alcohol on a shop towel, clean the trunk lid where the adhesive strips will attach.
- Hold the trunk spoiler above the trunk lid, and route the trunk spoiler harness down through the 10 mm hole you drilled. Seat the rubber grommet into the 10 mm hole; then route the trunk spoiler harness through the rectangular hole shown. If necessary, use a piece of wire to pull the harness through the trunk lid.



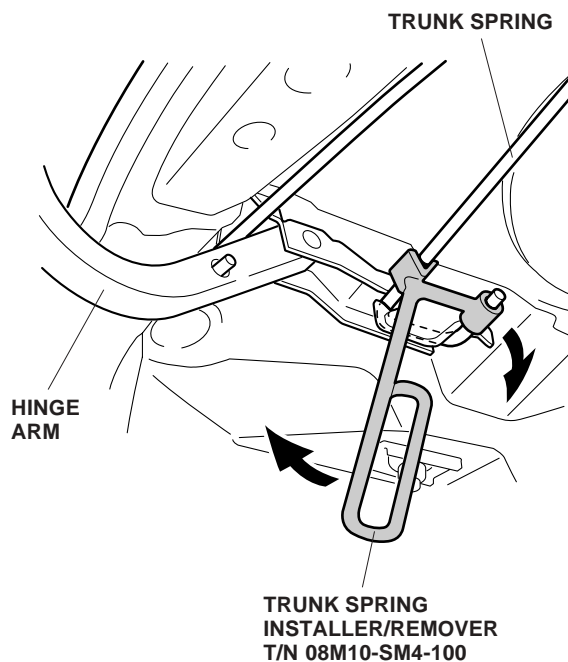
- Fit the trunk spoiler into position on the trunk lid, and install the four cap nuts. Hold the trunk spoiler firmly against the trunk lid with the palm of your hand and torque the cap nuts to 8.8 N·m (0.9 kgf·m, 6.5 lb·ft).

Installing the Trunk Spring

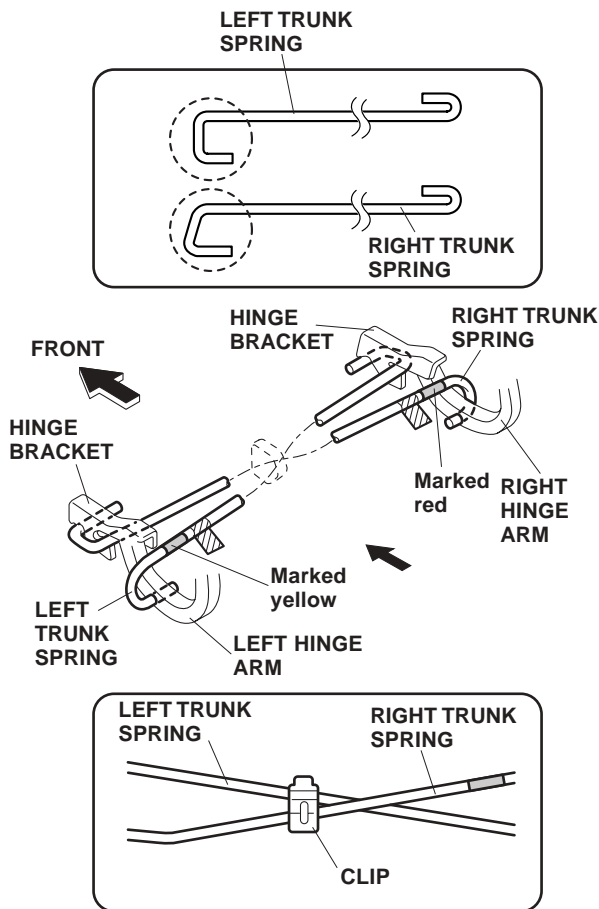
- Open the trunk lid, and remove the center clip from the trunk springs.



- With an assistant holding the trunk lid open, remove the old trunk springs from the trunk hinge arms using the special tool. Wear gloves to protect your hands, and pull the special tool slowly and carefully toward you.



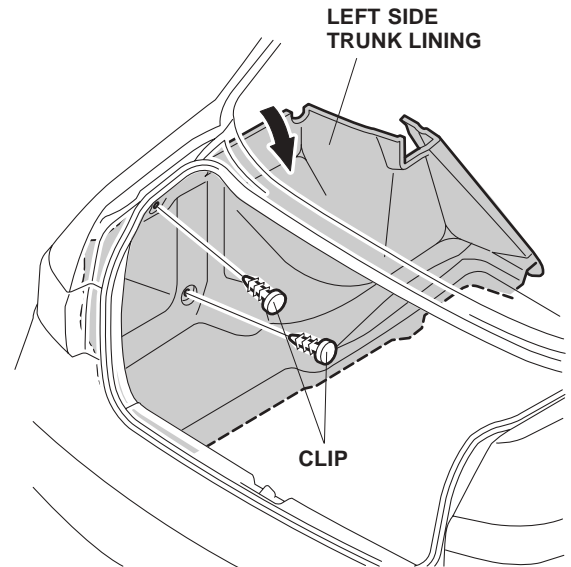
12. Install the right trunk spring and the left trunk spring in the reverse order of removal:
 - Set the tool on the marked end of each trunk spring.
 - Install the red-marked spring in the slot in the right (passenger's) side trunk hinge arm and to the hinge bracket on the left (driver's) side of the car; install the yellow-marked spring in the slot in the left (driver's) side trunk hinge arm and to the hinge bracket on the right (passenger's) side of the car.
 - Wearing gloves, rotate the tool as you pull it toward you.
 - Set the springs in the first notch (original position) of the hinge brackets.



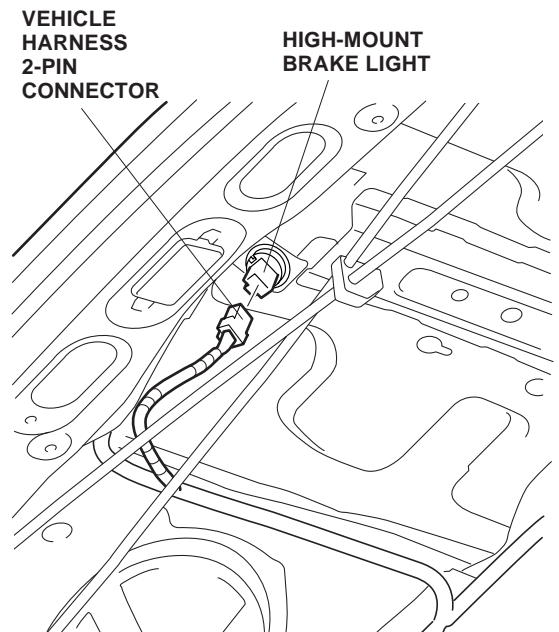
13. Reinstall the center clip on the trunk springs.

Routing the Spoiler Harness

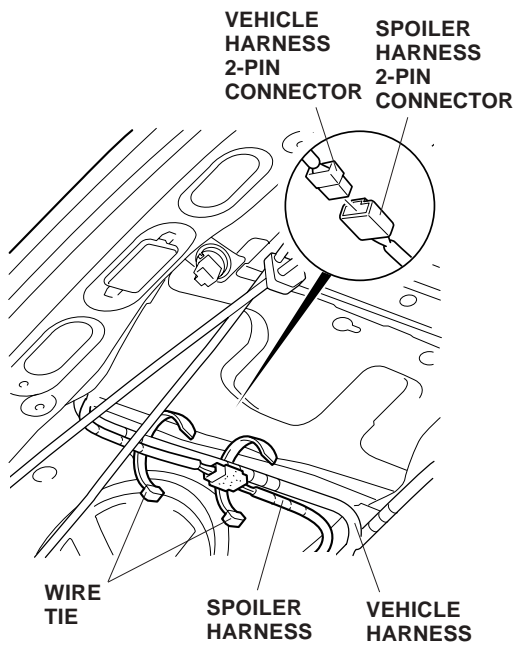
14. Remove the left side trunk lining (two clips).



15. Unplug the vehicle harness 2-pin connector from the high-mount brake light.

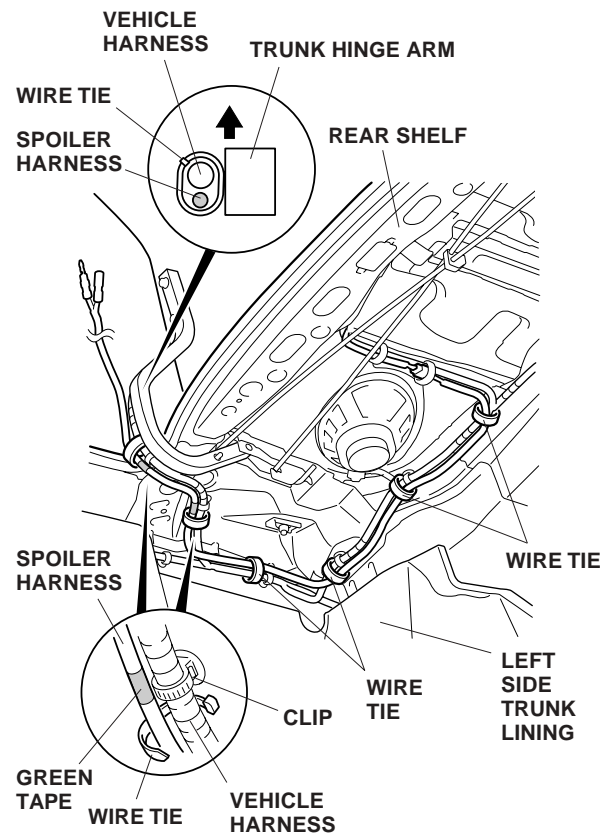


- Route the vehicle harness 2-pin connector above the trunk springs, and plug it into the spoiler harness 2-pin connector. Secure the 2-pin connector to the vehicle harness with one wire tie in the area shown.



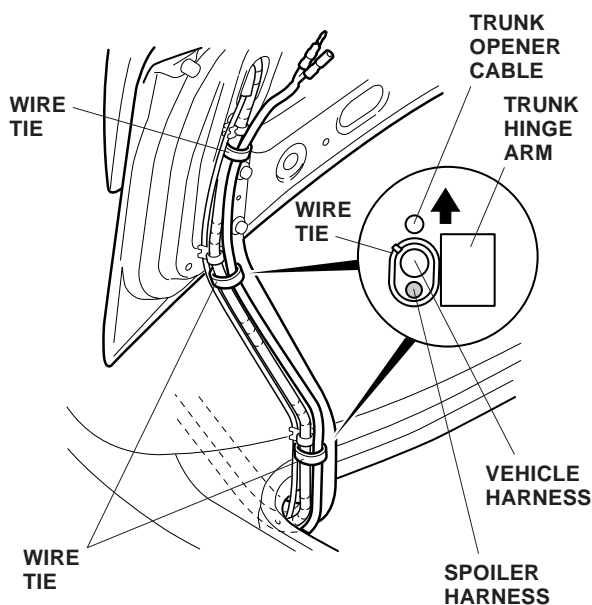
- Secure the vehicle harness with one wire tie in the area shown.

- Gently pull down the left side trunk lining, and route the spoiler harness alongside the vehicle harness, and secure it with four wire ties in the area shown.

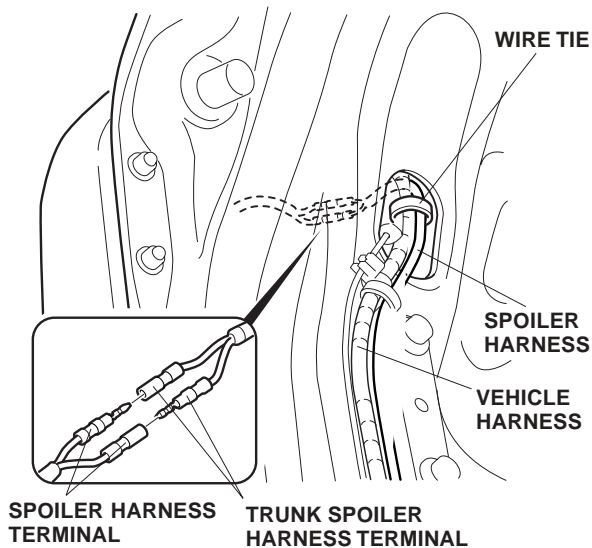


- Locate the two clips on the vehicle harness attached to the rear shelf and the trunk hinge arm. Align the green tapes on the spoiler harness with the clips on the vehicle harness, and secure the spoiler harness to the vehicle harness with two wire ties.

20. Continue routing the spoiler harness up the trunk hinge arm and alongside the vehicle harness.

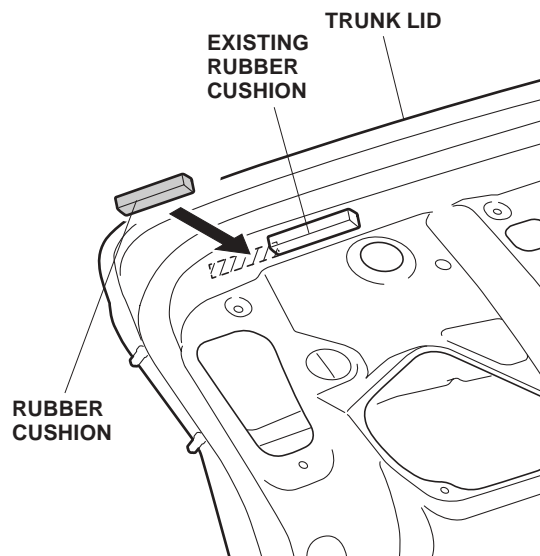


21. Secure the spoiler harness with three wire ties in the area shown. Do not secure the spoiler harness to the trunk opener cable with the wire ties.
22. Plug the spoiler harness terminals into the trunk spoiler harness terminals.



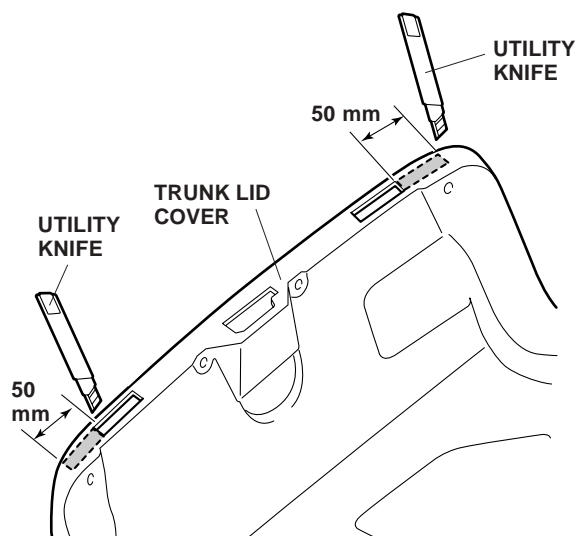
23. Tuck the spoiler terminals back in the hole in the trunk lid. Secure the spoiler harness to the vehicle harness with one wire tie near the hole.

24. Using isopropyl alcohol on a shop towel, clean the areas where the rubber cushions will attach.
25. Remove the adhesive backing from the rubber cushion, and attach it to the inside panel of the trunk lid next to the existing rubber cushion. After attaching the rubber cushion, use the palm of your hand to hold pressure against it for 30 seconds. Repeat on the right side.



If the car was equipped with trunk lid cover; continue with step 26, if not, go to step 27.

26. Using a tape measure and felt-tip pen, measure and mark the trunk lid cover. Using a utility knife, cut out the marked areas from the trunk lid cover.



27. Check that all wire harnesses are routed properly and all connectors are plugged in.
28. Reinstall all removed parts.
29. Press the brake pedal, and check that the spoiler brake light comes on.
30. Open the trunk lid, and make sure the trunk lid stays open on its own. If it will not, adjust the trunk springs to the second position.

USE AND CARE

- Handle the spoiler with care. It is not designed to absorb impact.
- Do not open or close the trunk lid by grasping the spoiler.
- Check the spoiler mounting nuts periodically, and retighten them if necessary.