



# INSTALLATION INSTRUCTIONS

Accessory

TRUNK SPOILER (DECK LID)

Application

2003 ACCORD  
4-DOOR

Publications No.

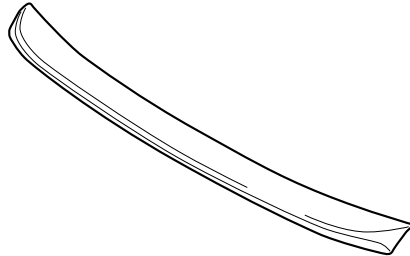
All 24063

Issue Date

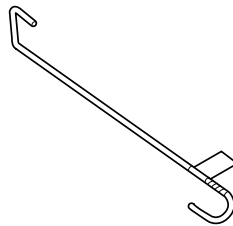
AUG 2002

## PARTS LIST

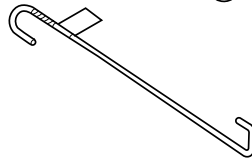
Trunk spoiler



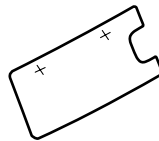
Right trunk spring  
(marked green)



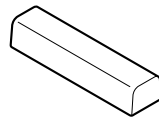
Left trunk spring  
(marked purple)



Template



2 Rubber cushions



2 Flange nuts



2 Washer bolts



## TOOLS AND SUPPLIES REQUIRED

Clip remover

Eye protection (face shield, safety goggles, etc.)

Drill

3 mm and 8 mm Drill bits

Drill stop

File

Center punch

Touch-up paint

Ratchet

10 mm Socket

Torque wrench

Gloves

Trunk spring installer/remover:

P/N 08M10-SM4-100

Masking tape

Felt-tip pen

Shop towel

Isopropyl alcohol

Tape measure

Utility knife

Scissors

## INSTALLATION

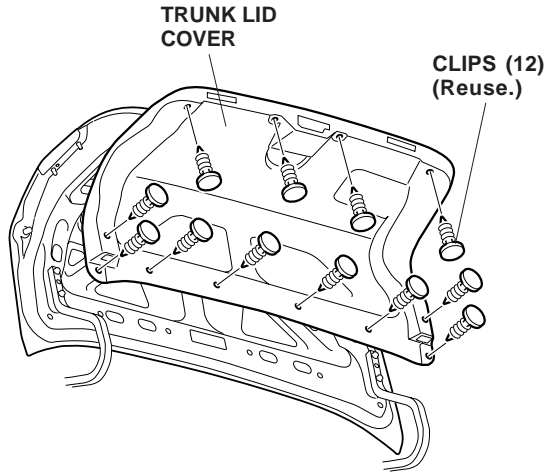
**Customer Information:** The information in this installation instruction is intended for use only by skilled technicians who have the proper tools, equipment, and training to correctly and safely add equipment to your car. These procedures should not be attempted by "do-it-yourselfers."

### NOTE:

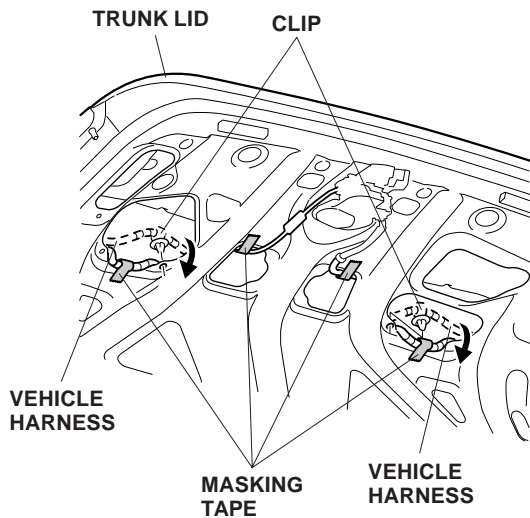
- Be careful not to damage the body paint finish.
- This trunk spoiler kit should be installed only if the ambient air temperature is 60°F (15°C) or above.
- Wash and wax the area to be covered with a high-quality paste wax.

## Installing the Trunk Spoiler

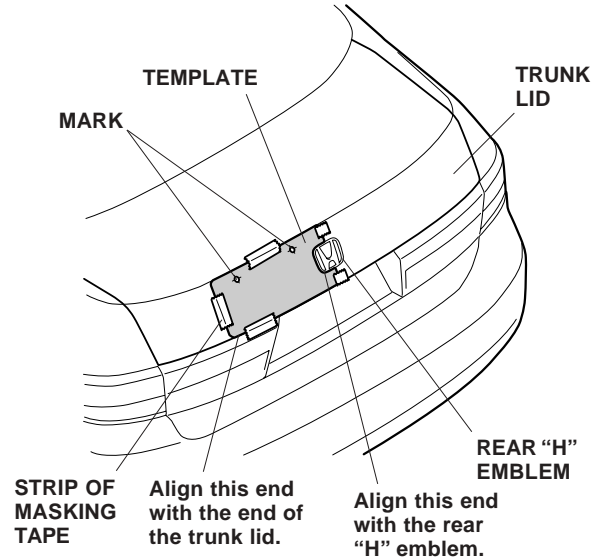
1. Open the trunk lid. If equipped, remove the trunk lid cover (12 clips).



2. Remove the two clips that secure the vehicle harnesses to the trunk lid, and tape the harnesses to the trunk lid with masking tape.

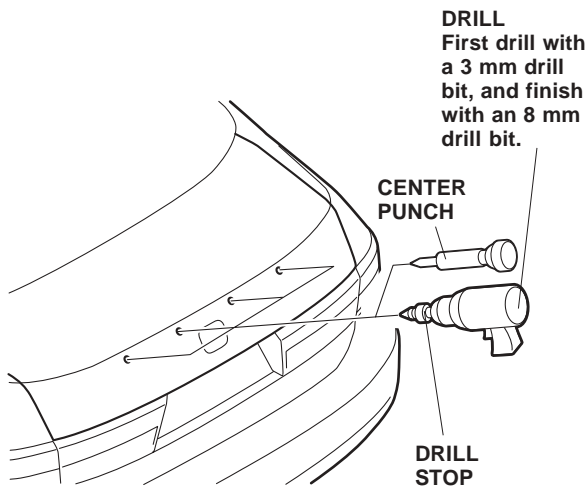


3. Close the trunk lid. Position the template on the trunk lid, and align the bottom edge of template with the bottom edge of the trunk lid and the rear "H" emblem. Tape the template to the trunk lid. Using a felt-tip pen, mark the trunk lid as indicated on the template. Remove the template.

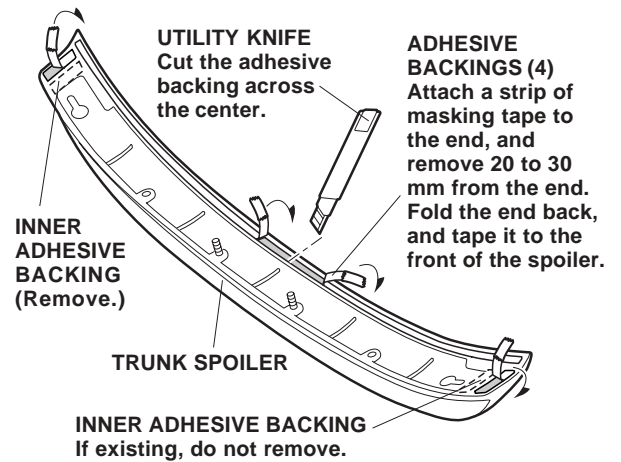


4. Turn the template over, and repeat step 3 to mark the right side of the trunk lid.

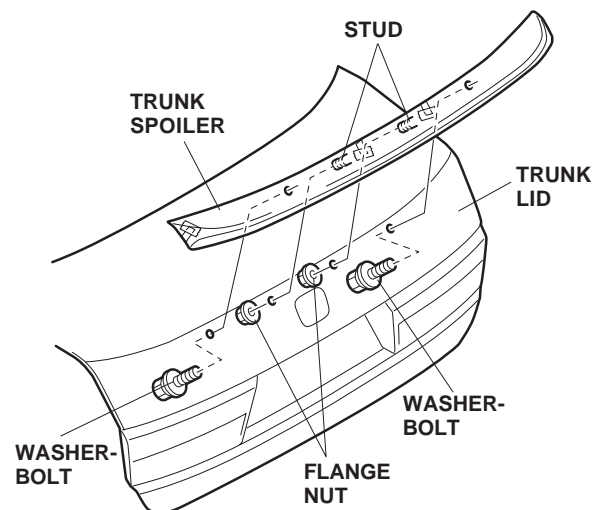
5. Lightly center-punch the marks. While wearing eye protection, drill four 8 mm holes through the marks as shown.
  - Using a drill stop on the end of each bit, first drill with a 3 mm drill bit, and finish with an 8 mm drill bit.
  - Take care not to damage the wire harnesses when drilling the holes.
  - After drilling, remove any burrs from the edges of the holes with a file and apply touch-up paint on both sides of the holes. Allow the touch-up paint to dry thoroughly before proceeding to the next step.



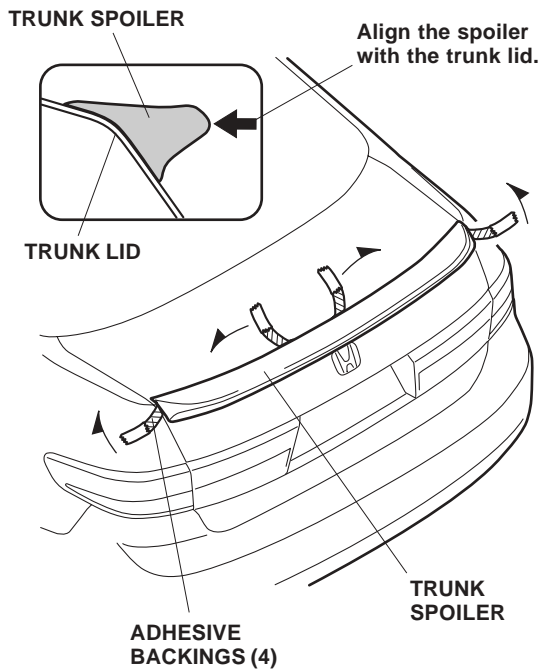
6. On the inside of the trunk spoiler, cut the front adhesive backing across the center with a utility knife. Attach strips of masking tape to cut ends, and remove 20 to 30 mm of the adhesive backings. Fold back all of the adhesive backing and tape them to the front of the spoiler. If the spoiler has inner adhesive backings, remove them completely.



7. Using isopropyl alcohol on a shop towel, thoroughly clean the area where the trunk spoiler will attach.
8. Fit the spoiler into position on the trunk lid by inserting the two studs into the holes in the trunk lid. With an assistant holding the trunk lid open, install a flange nut on the end of each stud. Install the two washer-bolts, but do not tighten them yet.



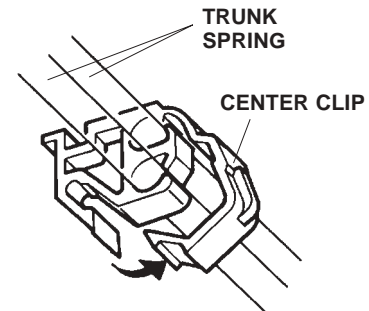
9. While aligning the trunk spoiler with the trunk lid, carefully remove the adhesive backings from both sides. Hold the spoiler firmly against the trunk lid with the palm of your hand.
10. While holding pressure on the trunk spoiler, carefully remove the front adhesive backing. Hold the spoiler firmly against the trunk lid with the palm of your hand.



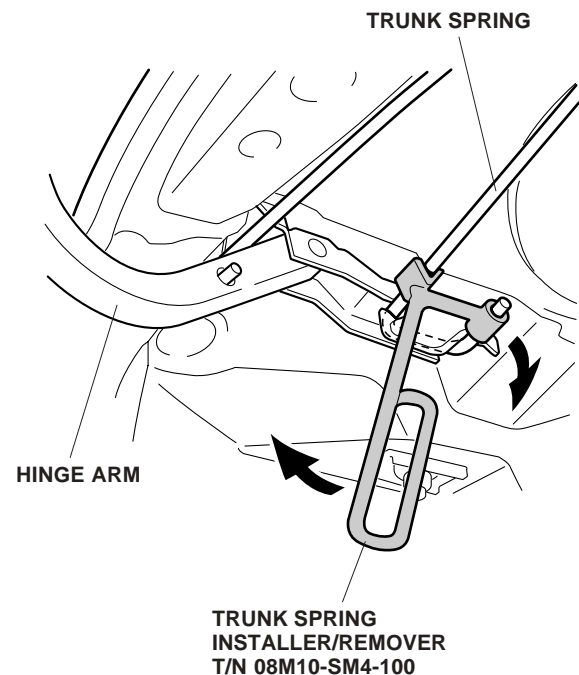
11. Torque the two flange nuts and two washer-bolts to 8.8 N·m (0.9 kgf·m, 6.5 lb-ft).
12. Again, hold the trunk spoiler firmly against the trunk lid over the adhesive tapes.

## Installing the Trunk Spring

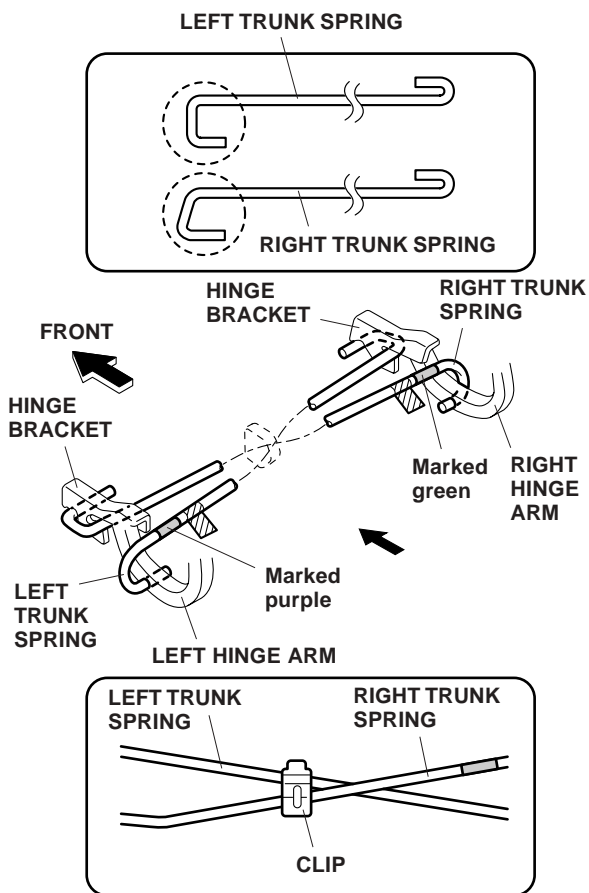
13. Open the trunk lid, and remove the center clip from the trunk springs.



14. With an assistant holding the trunk lid open, remove the old trunk springs from the trunk hinge arms using the special tool. Wear gloves to protect your hands, and pull the special tool slowly and carefully toward you.

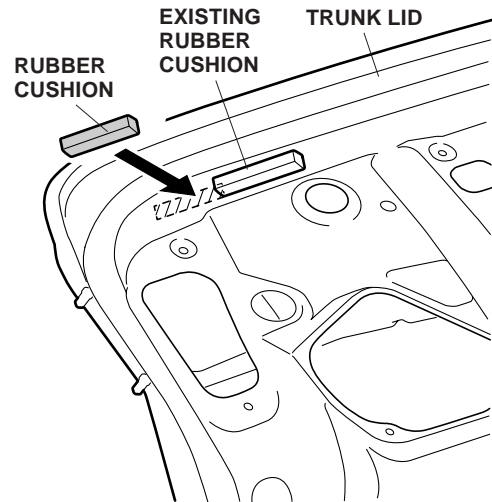


15. Install the right trunk spring and the left trunk spring in the reverse order of removal:
  - Set the tool on the marked end of each trunk spring.
  - Install the green-marked spring in the slot in the right (passenger's) side trunk hinge arm and to the hinge bracket on the left (driver's) side of the car; install the purple-marked spring in the slot in the left (driver's) side trunk hinge arm and to the hinge bracket on the right (passenger's) side of the car.
  - Wearing gloves, rotate the tool as you pull it toward you.
  - Set the springs in the first notch (original position) of the hinge brackets.



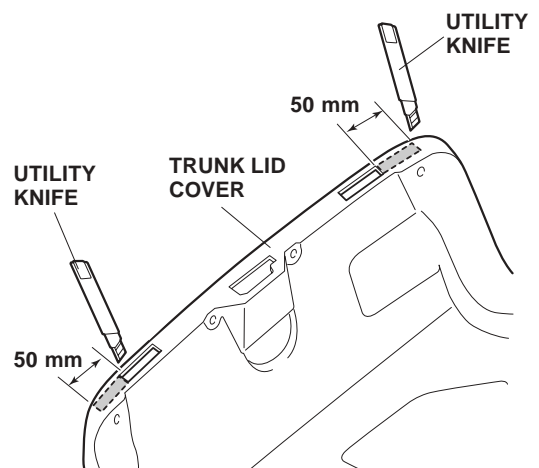
16. Reinstall the center clip on the trunk springs.

17. Using isopropyl alcohol on a shop towel, clean the areas where the rubber cushions will attach.
18. Remove the adhesive backing from the rubber cushion, and attach it to the inside panel of the trunk lid next to with the existing rubber cushion. After attaching it, use the palm of your hand to hold pressure against it for 30 seconds. Repeat on the right side.



*If the car was equipped with a trunk lid cover; continue with step 19, if not, go to step 20.*

19. Using a tape measure and felt-tip pen, measure and mark the trunk lid cover. Using a utility knife, cut out the marked areas from the trunk lid cover.



20. Reinstall all removed parts. Check that the clips are installed securely.
21. Open the trunk lid, and make sure the trunk lid stays open on its own. If it won't, adjust the trunk springs to the second position.

#### **USE AND CARE**

- Handle the spoiler with care. It is not designed to absorb impact.
- Do not open or close the trunk lid by grasping the spoiler.
- Check the spoiler mounting nuts periodically, and retighten them if necessary.