



INSTALLATION INSTRUCTIONS

Accessory
FLOOR MATS

Application
**2003 ACCORD
4-DOOR**

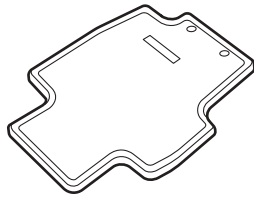
Publications No.
All 24051
Issue Date
AUG 2002

Keep this information in the glove box for future reference.

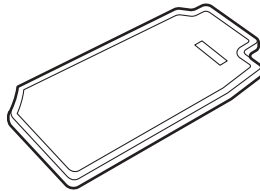
PARTS LIST

P/N 08P16-SDA-110 (Ivory)
P/N 08P16-SDA-120 (Gray)
P/N 08P16-SDA-130 (Graphite Black)

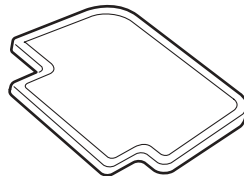
Driver's side floor mat



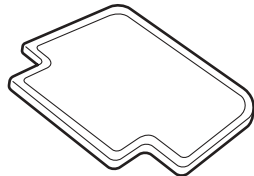
Passenger's side floor mat



Left rear floor mat



Right rear floor mat

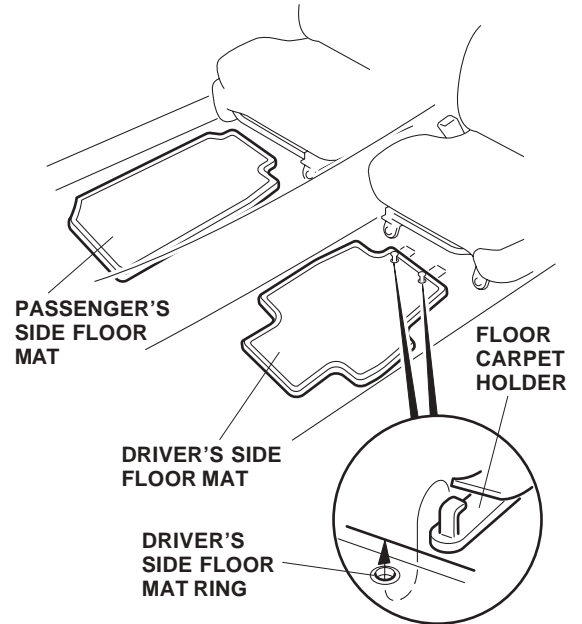


INSTALLATION

NOTE:

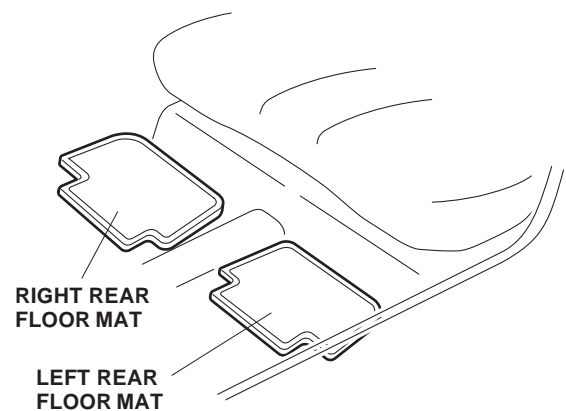
- Before installing, identify each floor mat.
- Remove the standard floor mats before installing these new floor mats.
- The floor mat holders are required for the driver's side of the car; the holder prevents the driver's side floor mat from sliding forward and interfering with the pedals.

1. Install the driver's side floor mat by placing the rings in the floor mat around two holders on the floor carpet.



2426011W

2. Install the passenger's side floor mat on the floor carpet.
3. Install the rear floor mats on the floor carpet.



2212020W