



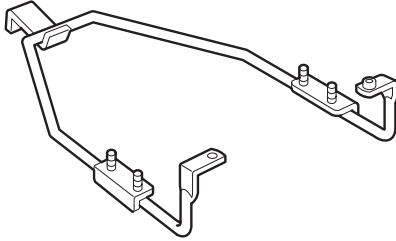
# INSTALLATION INSTRUCTIONS

Accessory	Application	Publications No.
<b>TRUNK MOUNT CD CHANGER</b>	<b>2003 ACCORD 4-DOOR</b>	<b>All 24041</b>
		Issue Date
		<b>AUG 2002</b>

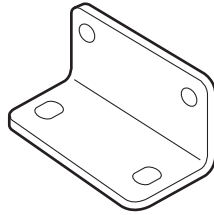
## PARTS LIST

**Attachment Kit (Sold separately):**  
**P/N 08B26-SDA-100**

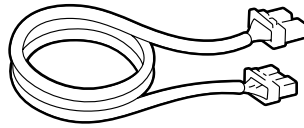
CD Changer bracket



2 Side brackets



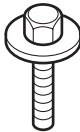
BUS cable



2 Clip nuts



3 Washer- bolts, 6 x 12 mm



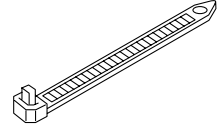
4 Washer-screws, 4 x 8 mm



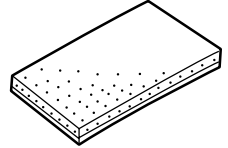
4 Flange nuts, 6 mm



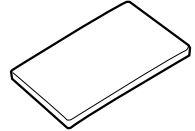
17 Wire ties



4 EPT sealers

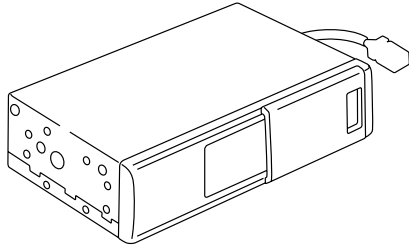


5 Cushion tapes

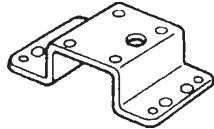


**CD Changer (Sold separately):  
P/N 08A26-5E1-100**

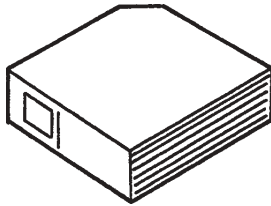
CD Changer



Bracket



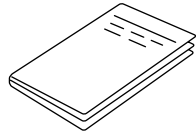
8-Disc CD magazine



8 Washer-screws, 4 x 6 mm  
(Not used)



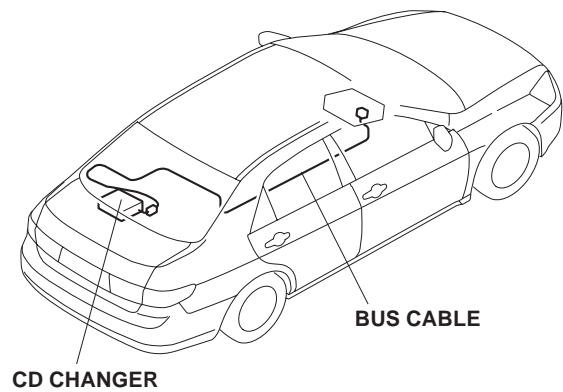
Owner's Manual



**TOOLS AND SUPPLIES REQUIRED**

- Phillips screwdriver
- Flat-tip screwdriver
- Small flat-tip screwdriver
- Clip remover
- 10 mm Combination wrench
- Ratchet
- 10 mm Socket
- Isopropyl alcohol
- Shop towel
- Scissors
- Masking tape
- Hook tool
- Tape measure
- Piece of steel wire

***Illustration of the components Installed on the Car***



**INSTALLATION**

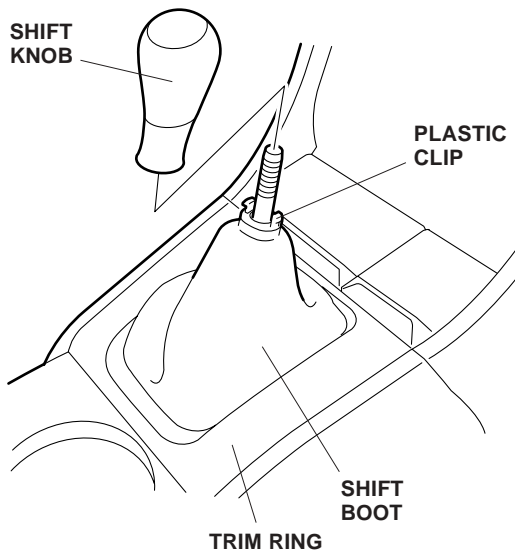
**Customer Information:** The information in this installation instruction is intended for use only by skilled technicians who have the proper tools, equipment, and training to correctly and safely add equipment to your car. These procedures should not be attempted by “do-it-yourselfers.”

1. Make sure you have the anti-theft code for the radio, then write down the frequencies for the preset buttons.
2. Disconnect the negative cable from the battery.

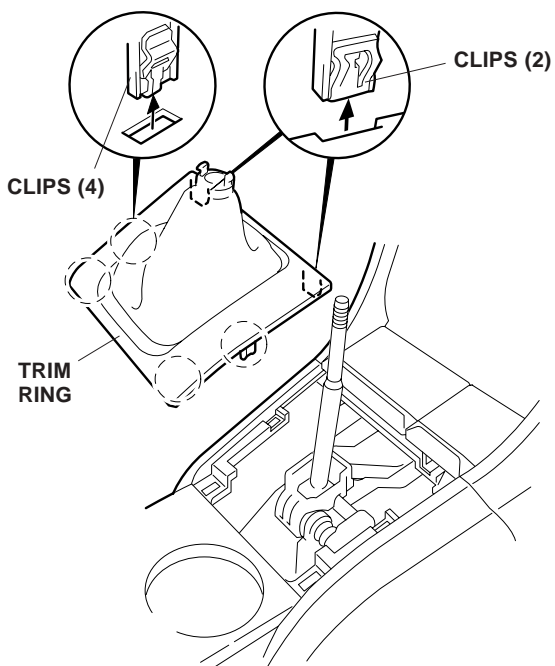
3. Remove the trim ring.

#### M/T Model

- Squeeze the plastic clip and pull down on the shift knob. Remove the shift knob by turning it counterclockwise.

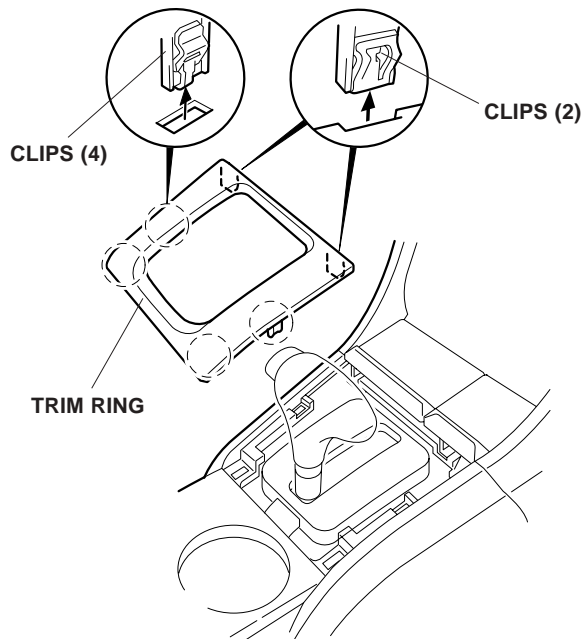


- Gently pry up on the trim ring to release the six clips.

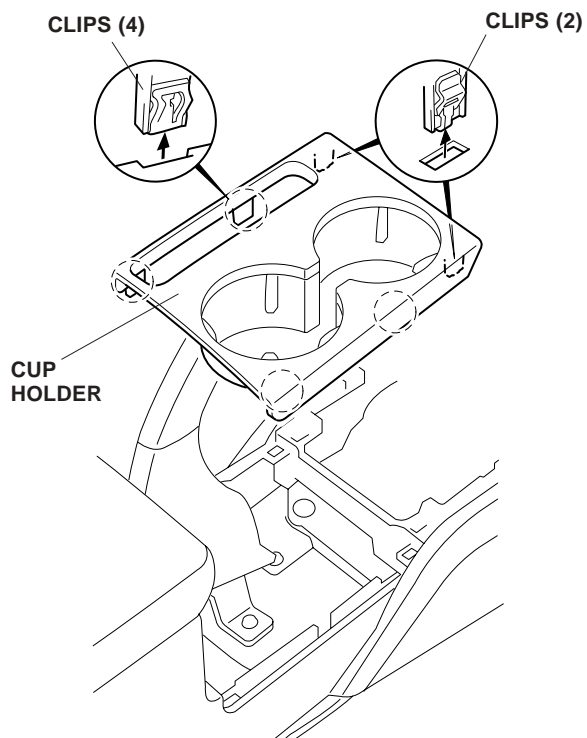


#### A/T Model

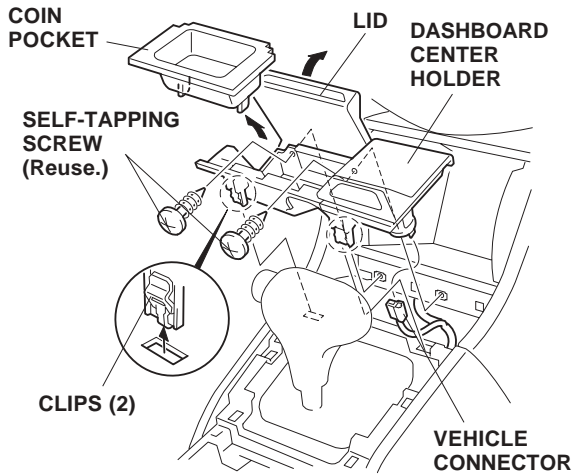
- Gently pry up on the trim ring to release the six clips.



4. Wiggle and then pull up on the cup holder to release the six clips, and remove the cup holder.

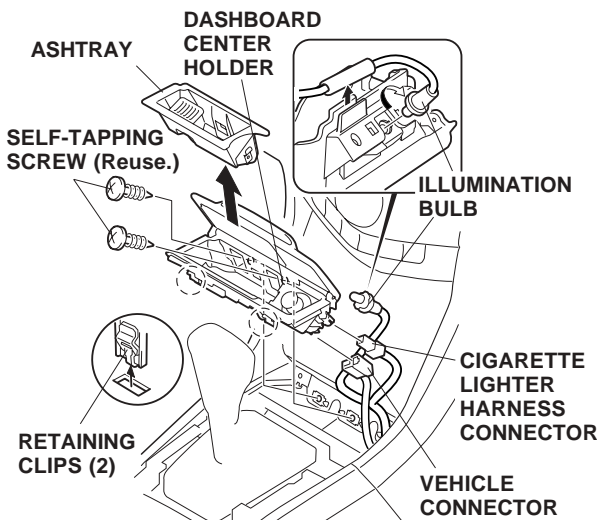


5. Remove the dashboard center holder.
  - Open the coin pocket lid and remove the coin pocket.
  - Remove the two self-tapping screws.
  - Gently pull out on the dashboard center holder to release the two retaining clips, unplug the vehicle connector, and remove the center holder.

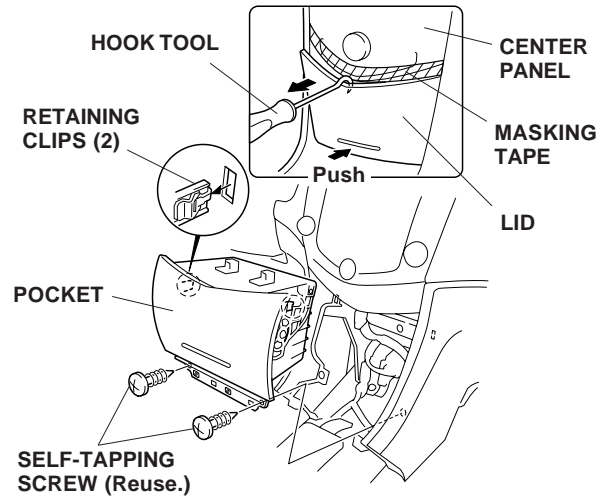


#### With Ashtray

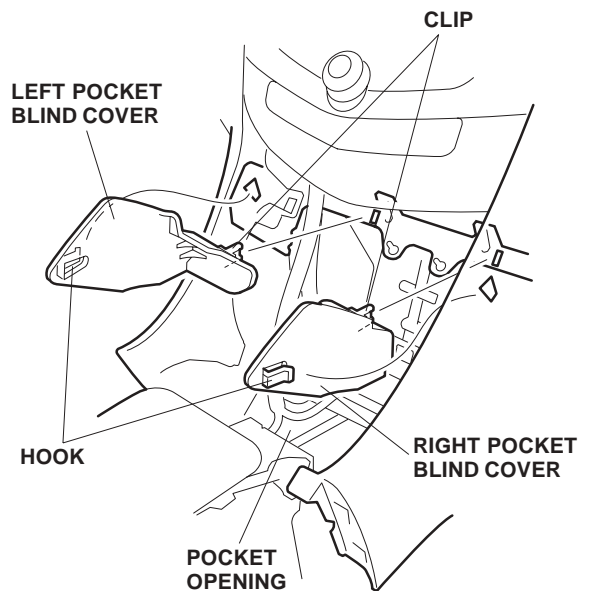
- Open the lid and remove the ashtray.
- Remove the two self-tapping screws.
- Gently pull out on the two retaining clips, unplug the cigarette lighter harness connector, illumination bulb, and remove the center holder.



6. Remove the pocket:
  - Apply masking tape to the edge of the center panel.
  - Remove the two self-tapping screws.
  - Push in on the bottom of the lid, then pull out on the top by inserting the end of a hook tool between the pocket and center panel, and pulling it to out toward you to release the two retaining clips.



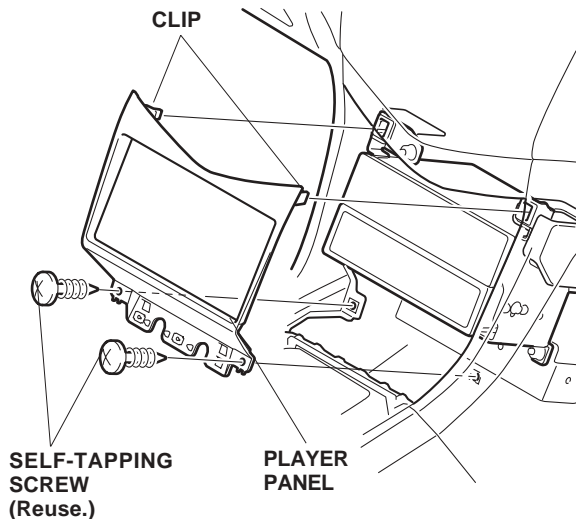
7. Remove the right and left inner covers (one hook and one clip for each cover).



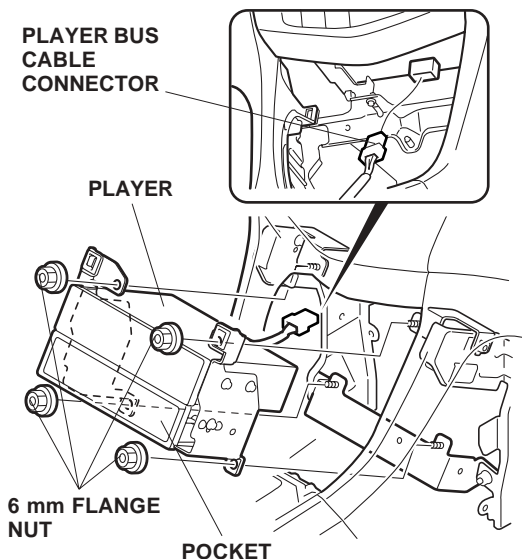
If the car is equipped with a cassette or a multimedia player, continue with step 8; if not, go to step 9.

8. Remove the player.

- Remove the player panel by removing the two self-tapping screws and gently pulling the player panel out to release the two clips.

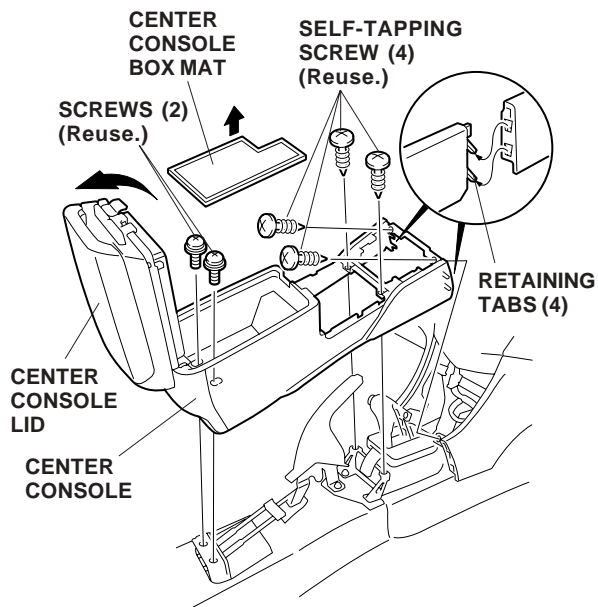


- Remove the four 6 mm flange nuts that fasten the player and pocket. Remove the player and pocket by pulling it out toward you, and unplugging the player BUS cable connector.



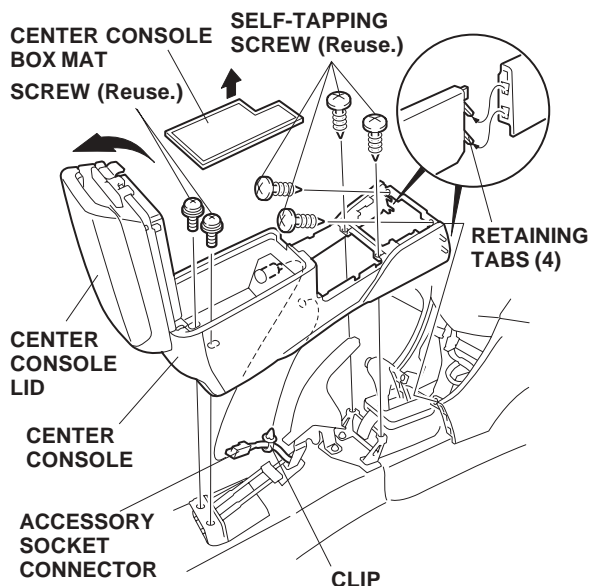
9. Open the center console lid, and remove the center console box mat. Remove the center console by removing the four self-tapping screws and two screws and releasing the four retaining tabs.

**Without Accessory Socket:**

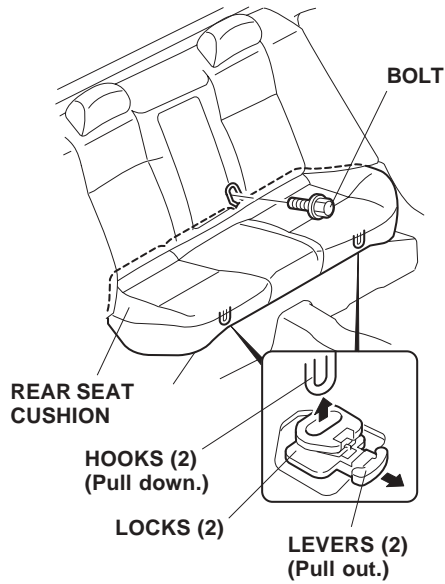


**With Accessory Socket:**

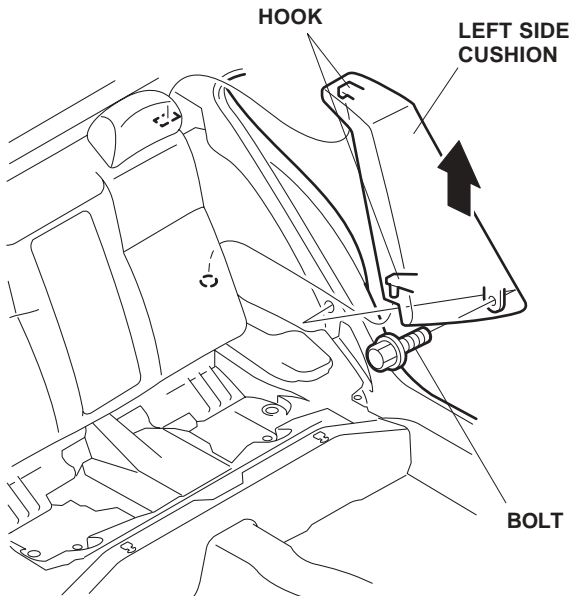
- Remove the harness clip from the center console, unplug the accessory socket connector and remove the console.



10. Inside the passenger's compartment, remove the rear seat cushion by removing the bolt and releasing the two locks (push down at the hook location, and pull out on the lever).

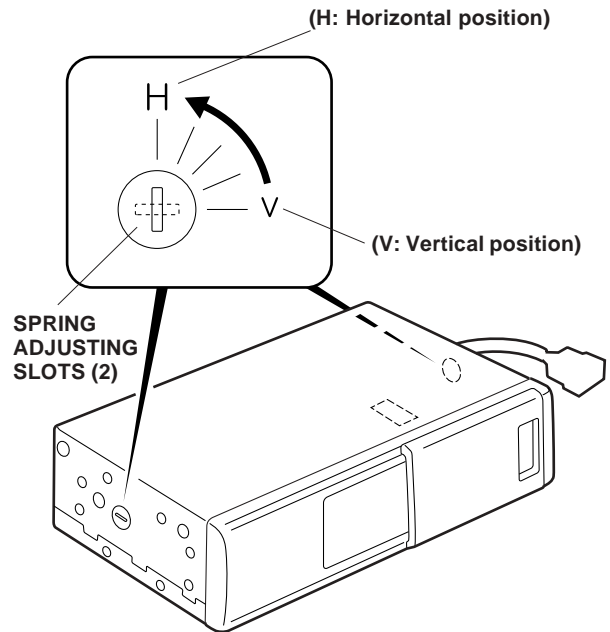


11. Remove the left side cushion (one bolt and two hooks).

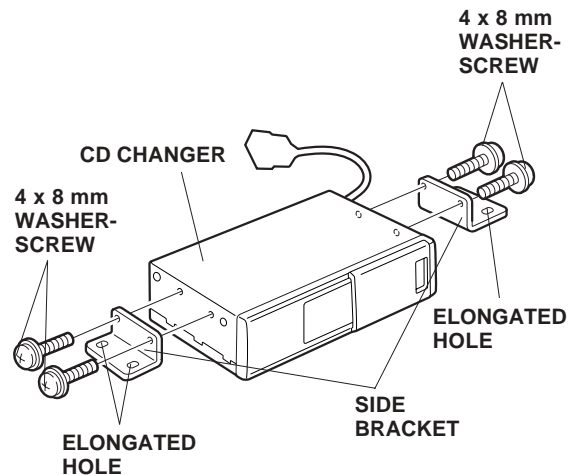


## Installing the CD Changer

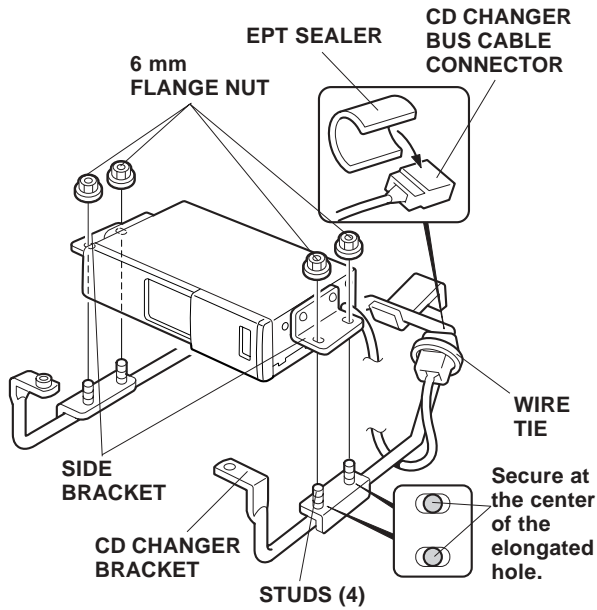
12. Visually check the position of the spring adjusting slots on both sides of the CD changer. If both of the spring adjusting slots are not in the horizontal (H) position, move the slots to the horizontal position using a small flat-tip screwdriver.



13. Position the side brackets on the CD changer with the elongated holes down, and install the four 4 x 8 mm washer-screws included with the attachment kit.

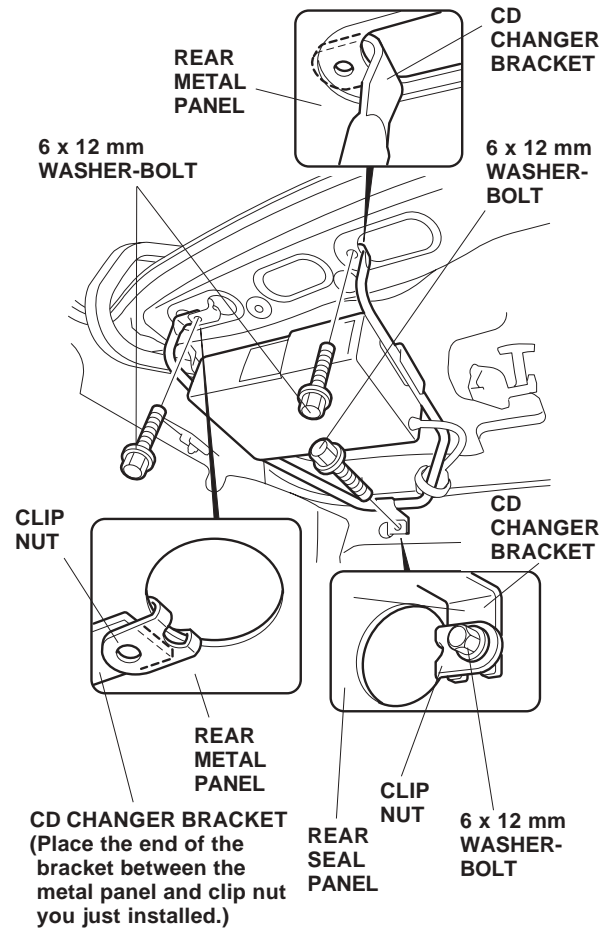


- Position the CD changer on the CD changer bracket, and install the four flange nuts. Tighten the flange nuts securely.



- Wrap the CD changer BUS cable connector with one EPT sealer, and secure it to the CD changer bracket with one wire tie.

- In the trunk, slide the two clip nuts into position on the rear metal panel through the holes in the panel. If necessary, spread the clip nuts open with a small flat-tip screwdriver.



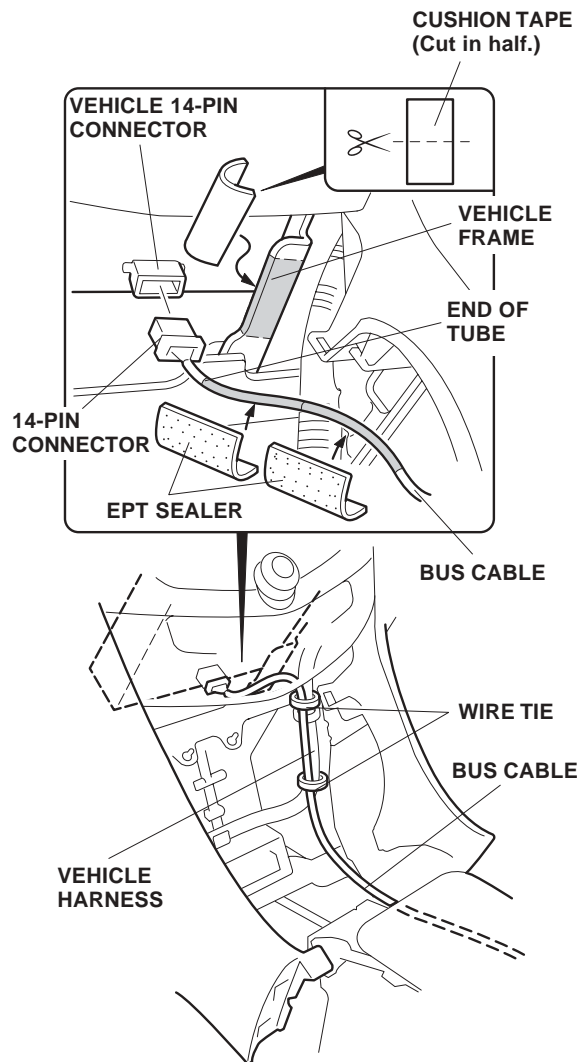
- Loosely install the 6 x 12 mm washer-bolt to the rear seat panel first. Secure the CD changer bracket to the metal panel with the remaining two 6 x 12 mm washer-bolts. Tighten all three bolts.

## Routing the BUS Cable

18. Plug in the BUS cable.

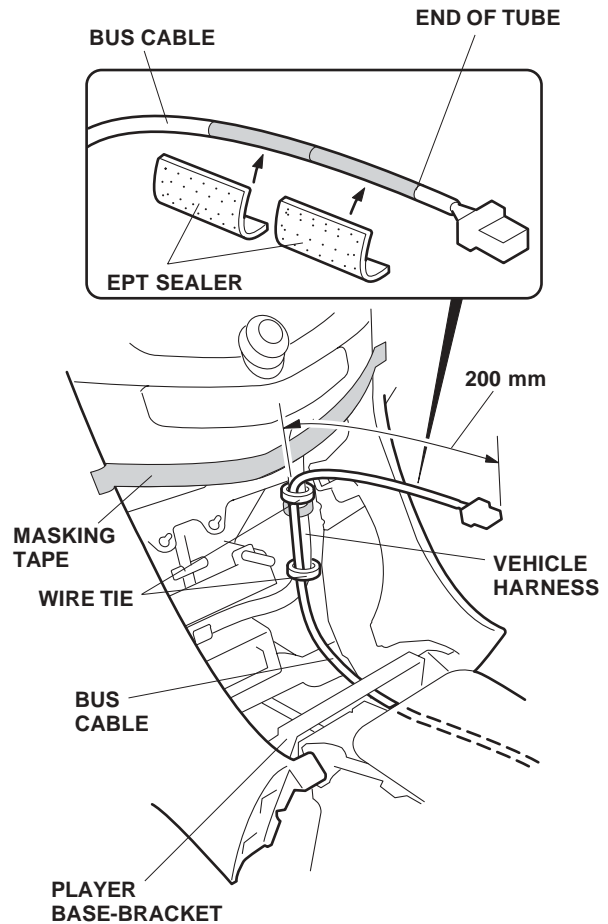
### Without Player:

- At the center console, clean the vehicle frame with isopropyl alcohol where the cushion tape will attach.
- Using scissors, cut one cushion tape in half, and attach one half of the cushion tape to the edge of the vehicle frame.
- Wrap the BUS cable with two EPT sealers starting at end of the tube. Plug the BUS cable 14-pin connector into the vehicle 14-pin connector.
- Route the BUS cable along the vehicle harness, then secure it to the vehicle harness with two wire ties.



### With Player:

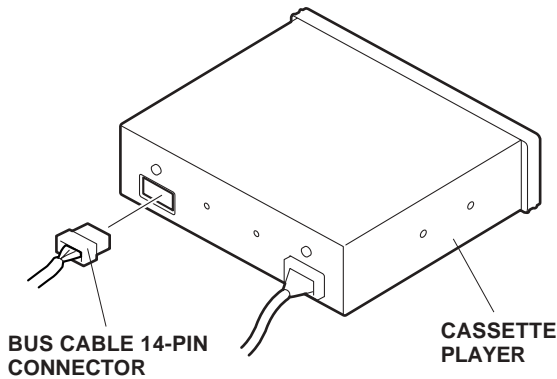
- Wrap the BUS cable with two EPT sealers starting at the end of the tube.
- Route the BUS cable under the player base-bracket. Secure the BUS cable to the vehicle harness with two wire ties, so that the distance between the BUS cable connector end and the upper wire tie is 200 mm.
- Apply masking tape to the center panel in the area shown.



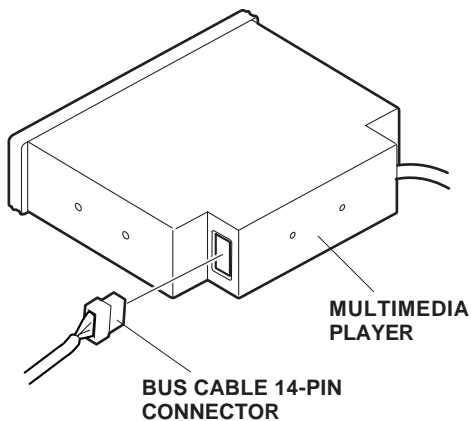


- Plug the BUS cable 14-pin connector into the player.

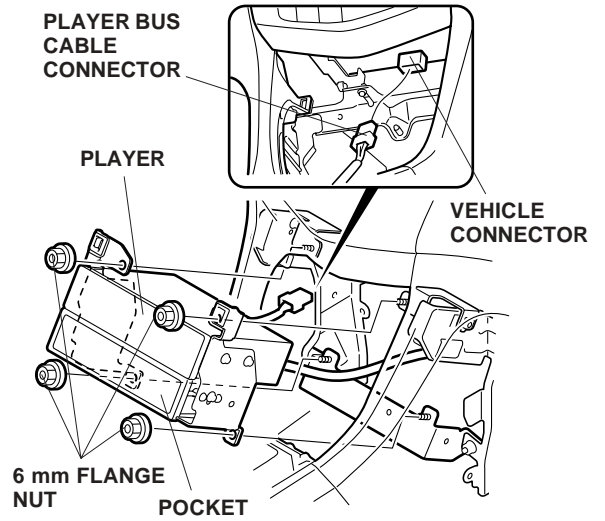
### Cassette Player



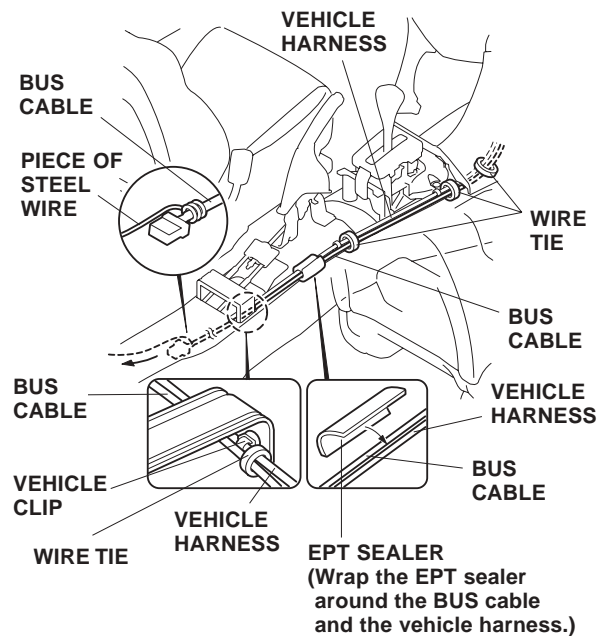
### Multimedia Player



- Plug the player BUS cable connector to the vehicle connector, and reinstall the player and pocket.

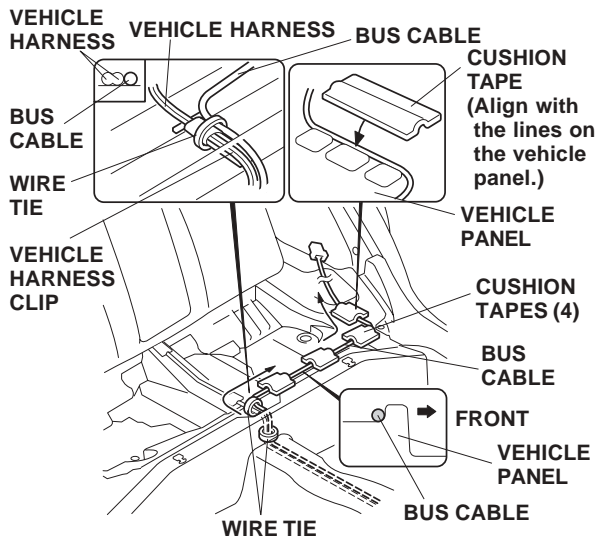


19. Continue routing the BUS cable to the rear of the car.
20. Route a piece of steel wire from the edge of the rear seat carpet, along the vehicle harness, to the shift lever area. Tape the end of the BUS cable to the wire, and pull the wire and BUS cable back through to the rear seat.

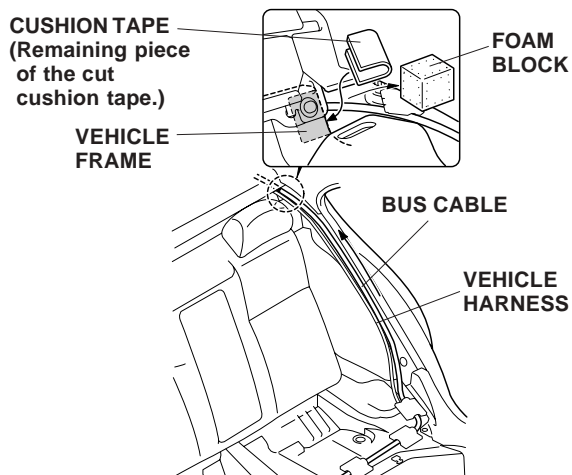


21. Remove the pieces of steel wire attached to the BUS cable. Secure the BUS cable to the vehicle harness with the four wire ties in the areas shown, then wrap one EPT sealer around the BUS cable and the vehicle harness.

22. Secure the BUS cable to the vehicle harness below the edge of the rear seat carpet, and to the vehicle harness clip above the edge of the rear seat carpet with one wire tie at each location.

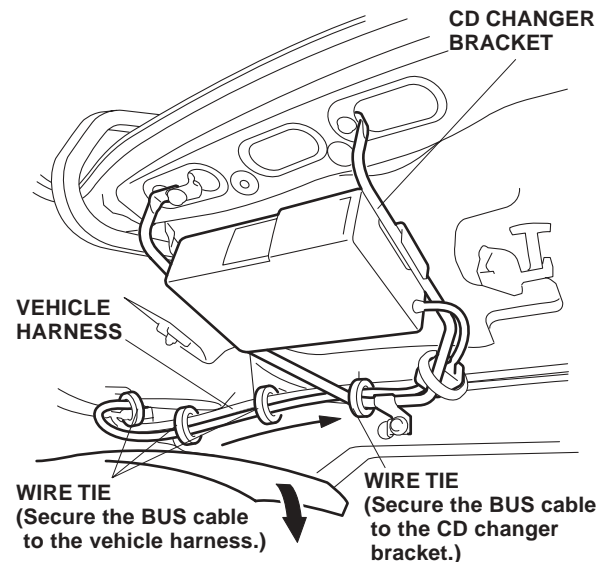


23. Using isopropyl alcohol, thoroughly clean the areas where the cushion tape will attach. Route the BUS cable forward to the driver's side of the car, and secure it to the vehicle panel with four cushion tapes.
24. Remove the foam block located rear the top of the rear seat. Using isopropyl alcohol, thoroughly clean the area where the cushion tape (remaining piece of the cut cushion tape) will attach. Attach the cushion tape to the edge of the vehicle frame in the area shown.

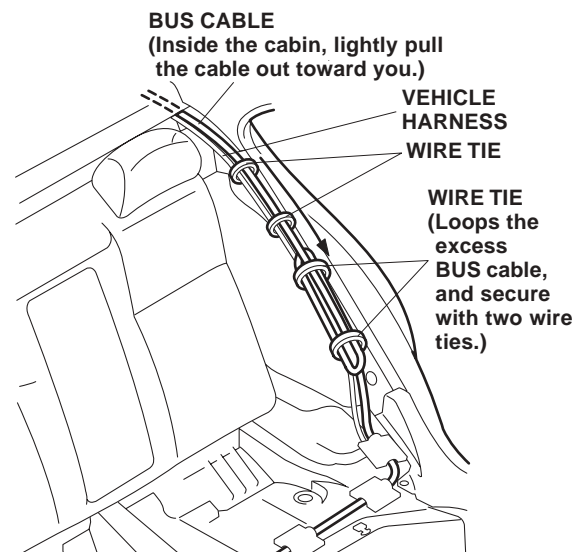


25. Route the BUS cable into the trunk area along the vehicle harness as shown.

26. Inside the trunk, pull down on the left side trunk lining and connect the BUS cable connector to the CD changer BUS cable connector.



27. Secure the BUS cable to the CD changer bracket and vehicle harness with four wire ties in the areas shown.
28. Inside the cabin, lightly pull the BUS cable out toward you to remove any excess slack, then secure it to the vehicle harness with two wire ties.

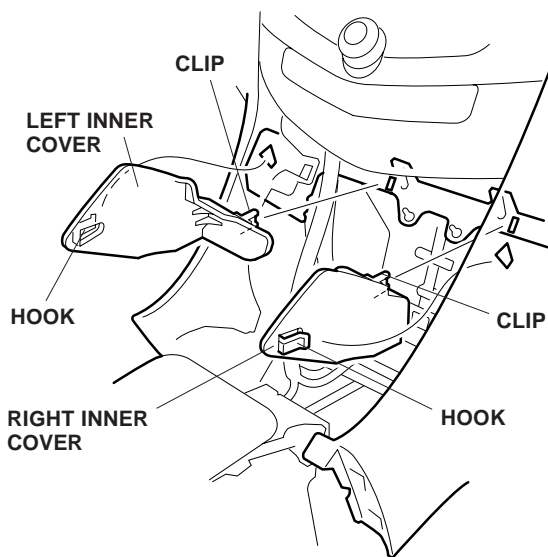


29. Loops the excess BUS cable, and secure the BUS cable to the vehicle harness with two wire ties. Reinstall the foam block.

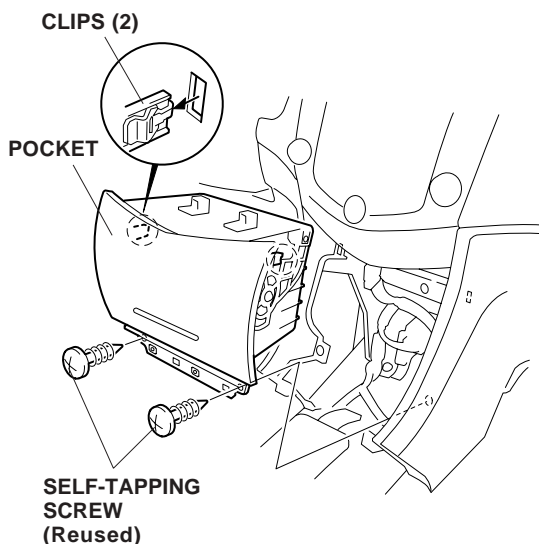
30. Check that all wire harnesses are routed properly and all connectors are plugged in.
31. Reconnect the negative cable to the battery.
32. Enter the customer's radio anti-theft code, and reset the radio station presets.
33. Set the clock.
34. Check the operation of the CD changer according to the provided Owner's Manual.

*If the car is equipped with a cassette player or multimedia player, continue to step 35; if not, go to step 37.*

35. Reinstall the right and left inner covers.



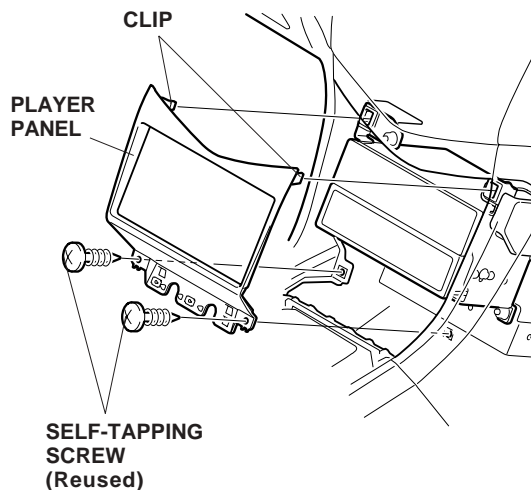
36. Reinstall the pocket, then go to step 38.



37. Reinstall the player panel using the two screws removed in step 8.

#### With Player

- Remove the masking tape applied in step 18.



38. Reinstall all removed parts.
39. Put the CD changer Owner's Manual in the glove box.

**NOTE:** Whenever the battery is disconnected, the driver's window AUTO function is disabled.

40. Start the engine. Push down fully on the driver's window switch until the window is fully open.
41. Pull up fully on the driver's window switch to close the window completely, then hold the switch for 2 seconds.
42. Test the driver's window AUTO function.