



INSTALLATION INSTRUCTIONS

Accessory

SIDE UNDER SPOILER

Application

2003 ACCORD
2-DOOR

Publications No.

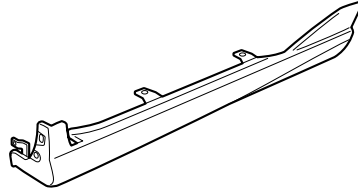
All 24084

Issue Date

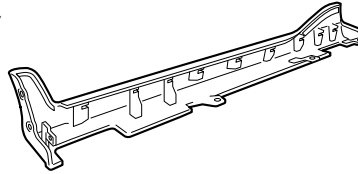
SEP 2002

PARTS LIST

Left side under spoiler



Right side under spoiler



4 Washers



2 Rubbers



TOOLS AND SUPPLIES REQUIRED

Phillips screwdriver

Flat-tip screwdriver

Isopropyl alcohol

Shop towel

Masking tape

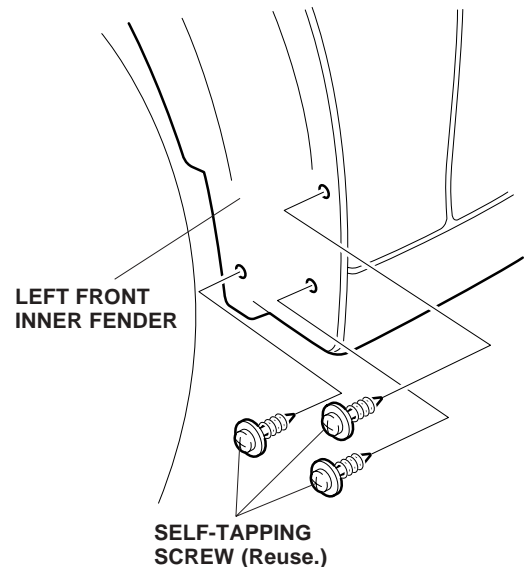
Tape measure

INSTALLATION

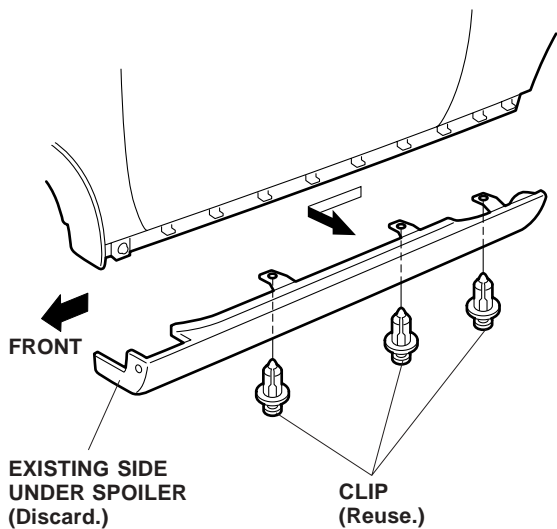
Customer information: The information in this installation instruction is intended for use only by skilled technicians who have the proper tools, equipment, and training to correctly and safely add equipment to your car. These procedures should not be attempted by "do-it-yourselfers."

NOTE:

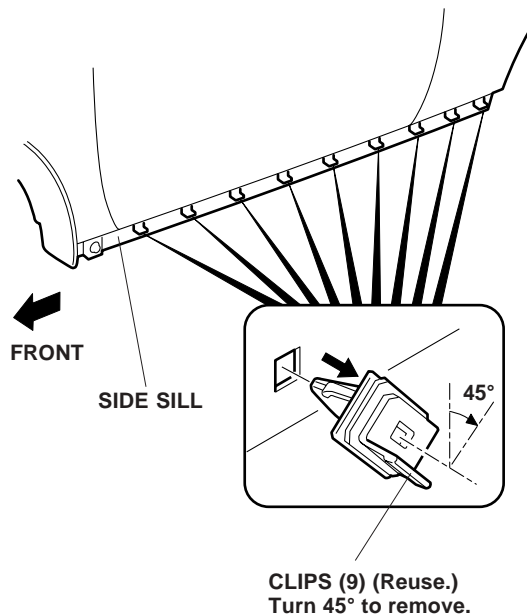
- Optional splash guards cannot be used with the side under spoiler installed.
 - These instructions show the left side under spoiler being installed. The same procedure applies to installing the right side under spoiler.
 - Be careful not to damage the body paint finish.
 - This side under spoiler kit should be installed only if the ambient air temperature is 60°F (15°C) or above.
 - To allow the adhesive to "cure", do not wash the car for 24 hours.
1. Turn the steering wheel all the way counterclockwise.
 2. Remove and retain the three self-tapping screws that fasten the left front inner fender to the front fender and fenderwell.



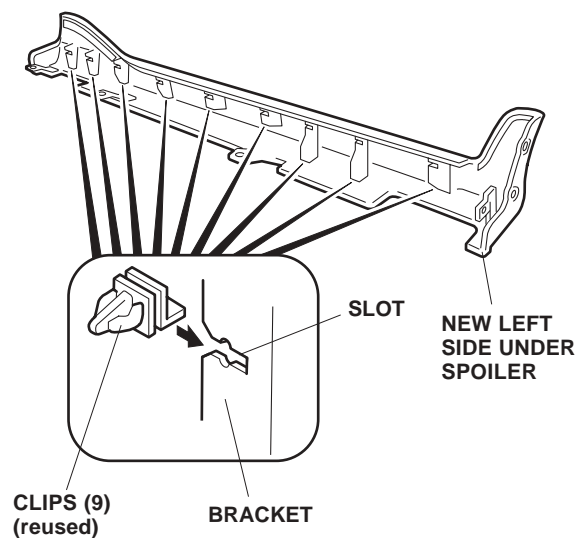
- Remove and retain the three clips that fasten the existing side under spoiler to the side sill, and remove the under spoiler by sliding it toward the front, then pulling it out toward you.



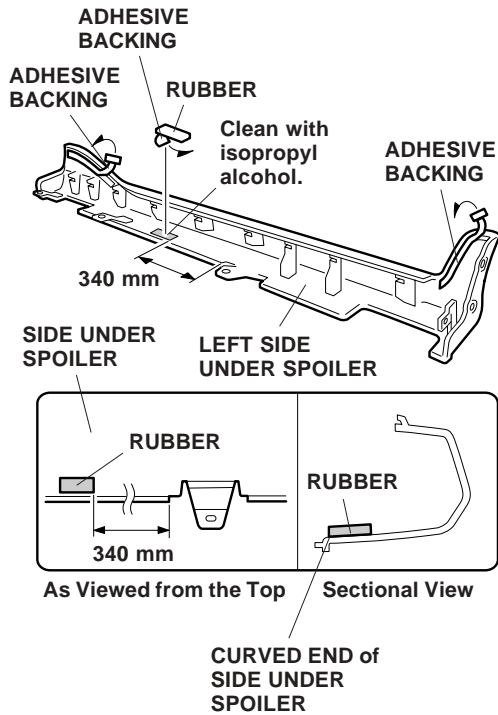
- Remove the nine clips from the side sill by turning them 45 degrees.



- Slide the nine clips you just removed onto the brackets on the inside of the new left side under spoiler through the slots shown until the clips "click" into position.

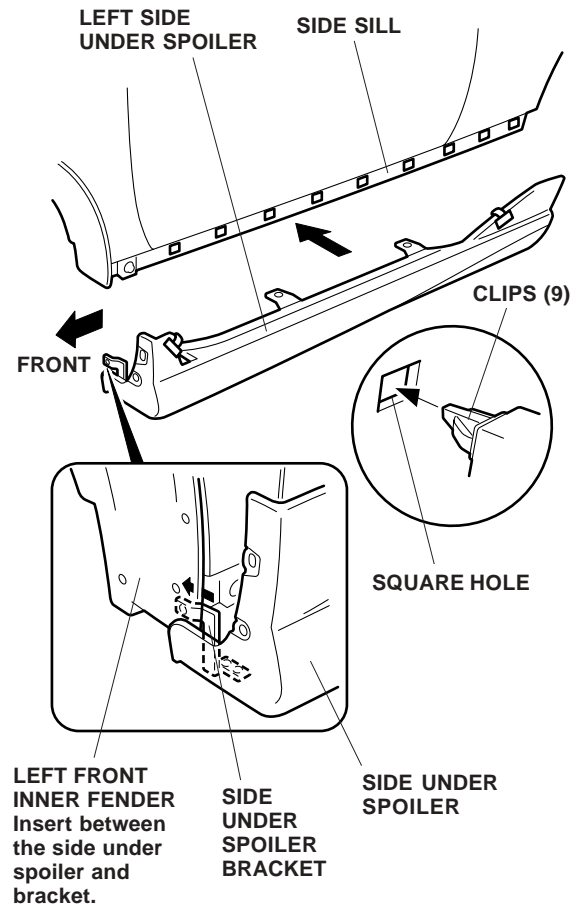


6. Using isopropyl alcohol on a shop towel, thoroughly clean the area where the rubber will attach.
7. Remove the adhesive backing, and attach the rubber to the left side under spoiler as shown.

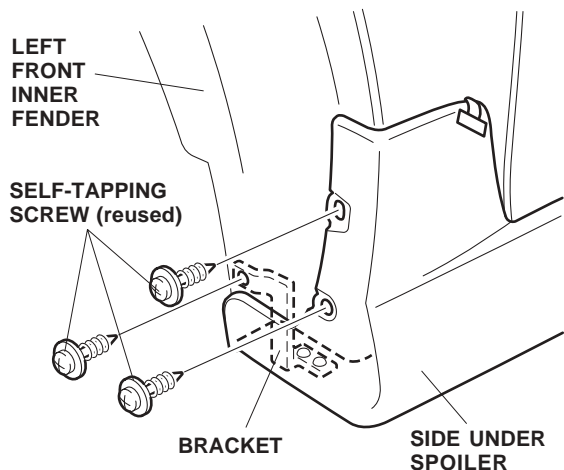


8. Attach a strip of the masking tape to the ends of the adhesive backings, and remove 40 to 50 mm from the end. Fold back the ends, and tape the ends to the front of the left side under spoiler. Note the direction of the adhesive backings.

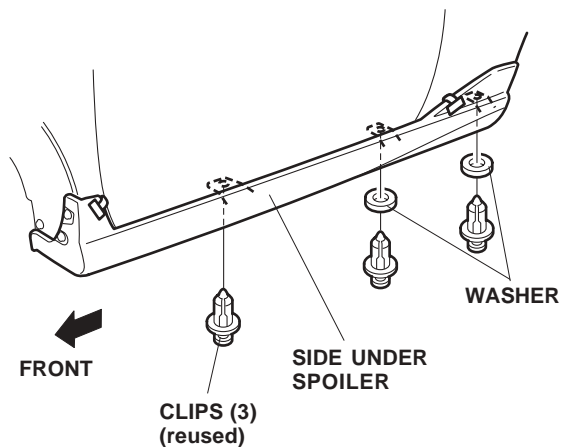
9. Using isopropyl alcohol on a shop towel, thoroughly clean the area where the left side under spoiler will attach.
10. Fit the side under spoiler into position on the side sill, and insert the left front inner fender between the left side under spoiler and the bracket. Push the nine clips into the square holes in the side sill. Hold the side under spoiler firmly against the side sill until all clips "click" into position in the square holes.



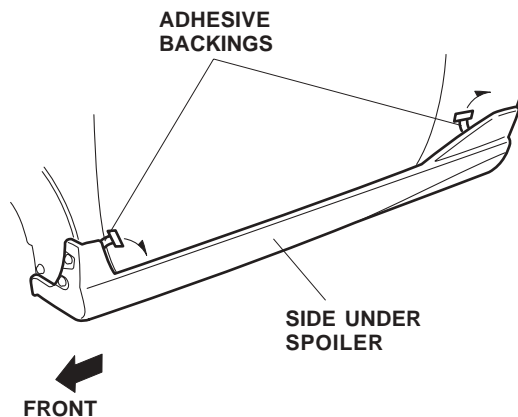
11. Install the three self-tapping screws removed in step 2 to attach the left front inner fender and the spoiler bracket.



12. Install two washers onto the rear clips, then install all three of the clips removed in step 3 to secure the left side under spoiler.



13. While holding light pressure on the left side under spoiler, carefully remove the adhesive backings from the spoiler in the direction shown. After attaching, hold the spoiler firmly against the body with the palm of your hand for 30 seconds.



14. Turn the steering wheel all the way clockwise, and repeat steps 2 thru 13 to install the right side under spoiler.