



INSTALLATION INSTRUCTIONS

Accessory

REAR UNDER SPOILER

Application

2003 ACCORD
2-DOOR

Publications No.

All 24081

Issue Date

SEP 2002

PARTS LIST

Rear under spoiler



8 Flange nuts



4 Flange bolts



2 Washer-screws



2 Spring nuts



4 Bolts



TOOLS AND SUPPLIES REQUIRED

Phillips screwdriver

Flat-tip screwdriver

Torque wrench

T-30 Torx driver

Ratchet

10 mm Socket

Masking tape

Isopropyl alcohol

Shop towel

Utility knife

INSTALLATION

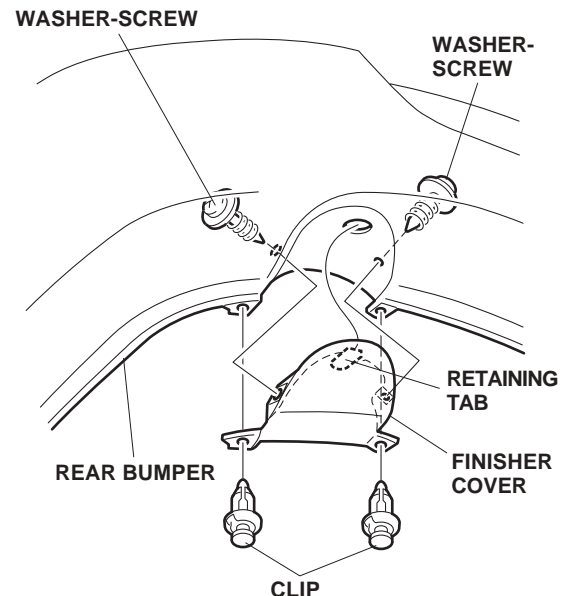
NOTE:

- Be careful not to damage the rear bumper and the body paint finish.
- This rear under spoiler can be installed easily by lifting the rear of the car and supporting its weight by placing a safety stand in the proper location as described in the Service Manual.
- This rear under spoiler kit should be installed only if the outside air temperature is 60°F (15°C) or above.
- To allow the adhesive to “cure”, do not wash the car for 24 hours.
- Make sure you install the exhaust pipe trim(s) which are sold separately when installing the rear under spoiler.

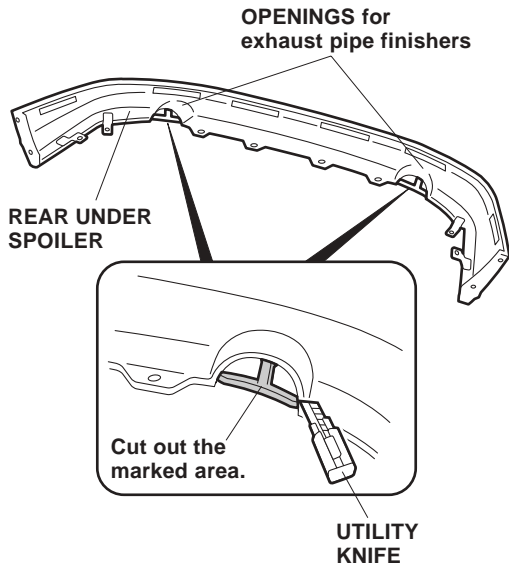
Installing the Rear Under Spoiler

If the car is equipped with the finisher cover, continue with step; if not, go to step 2.

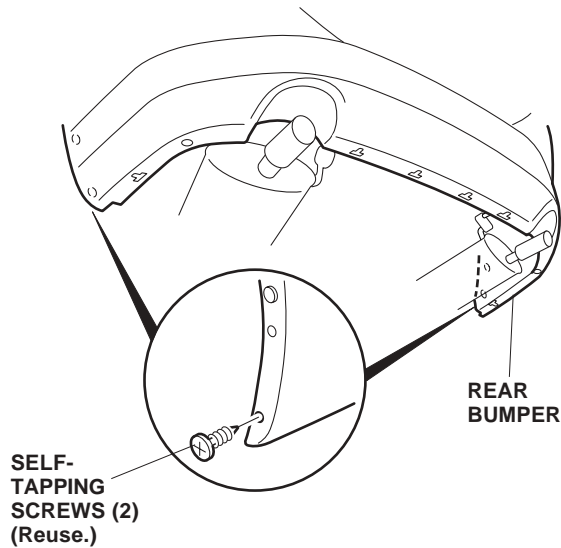
1. Remove the finisher cover (two washer-screws on the inside of the bumper, two clips, and one retaining tab).



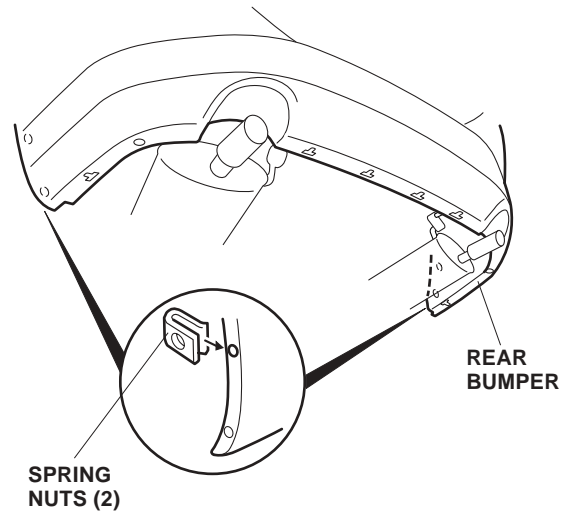
- Using a utility knife, cut out the marked areas from the rear under spoiler for the exhaust pipe finishers.



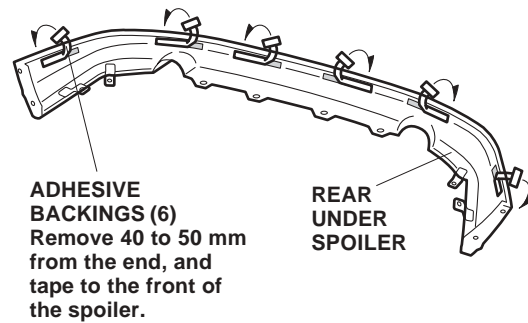
- Remove the two self-tapping screws (one on each side) from the rear bumper.



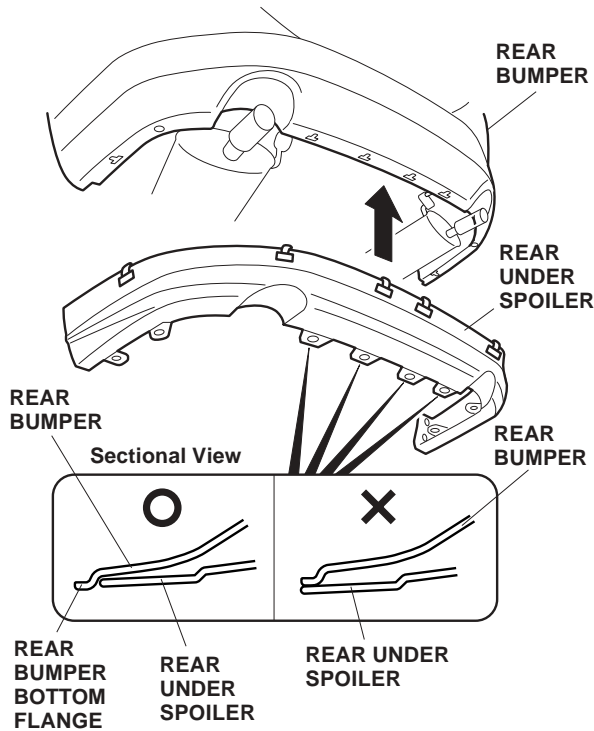
- Slide the two spring nuts (one on each side) over the dimpled areas of the rear bumper.



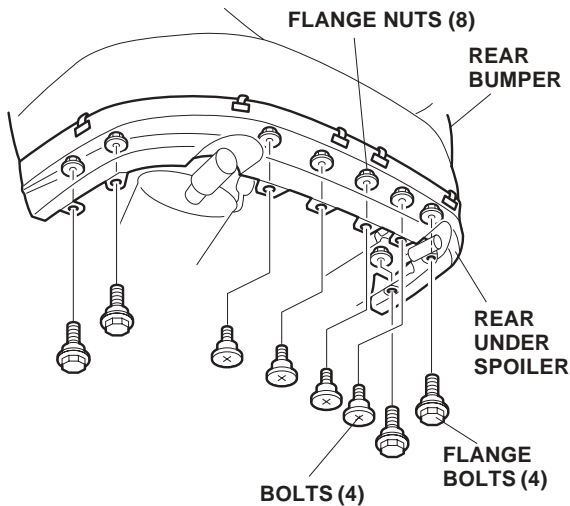
- Attach a strip of the masking tape to the ends of the six adhesive backings, and remove 40 to 50 mm of the adhesive backing. Fold the ends back, and tape the ends to the front of the rear under spoiler.



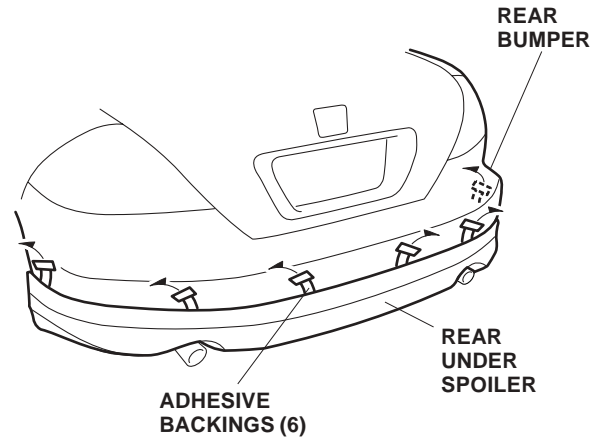
- Using isopropyl alcohol on a shop towel, thoroughly clean the area where the rear under spoiler will attach.
- Position the rear under spoiler on the rear bumper and align it properly. Check that the bottom flange of the rear bumper is not over the four mounting seats on the bottom of the rear under spoiler.



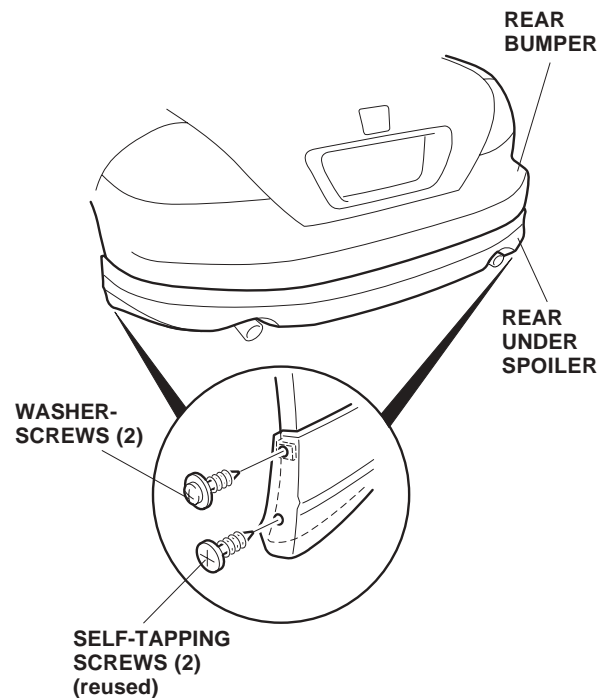
- Position the rear under spoiler on the rear bumper, and install the four flange bolts, the four bolts, the eight flange nuts.



- Starting in the center, work your way around the side. Holding light pressure on the rear under spoiler, carefully remove the adhesive backings from the rear under spoiler in the direction shown. Using the palm of your hand, hold the rear under spoiler firmly against the rear bumper for 30 seconds.

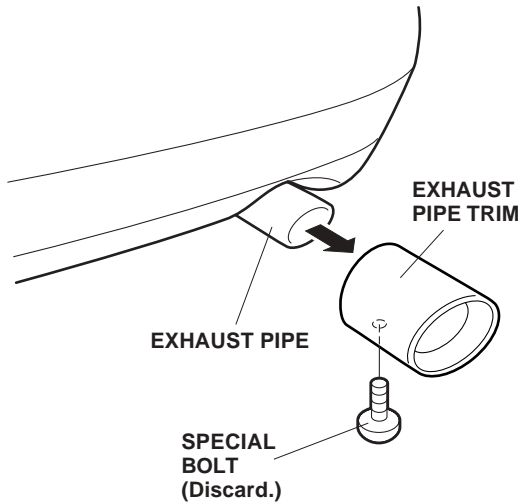


- While holding the rear under spoiler against the bumper, install one washer-screw and one self-tapping screw on each side. Make sure the bottom self-tapping screws are threaded into the inner flap.

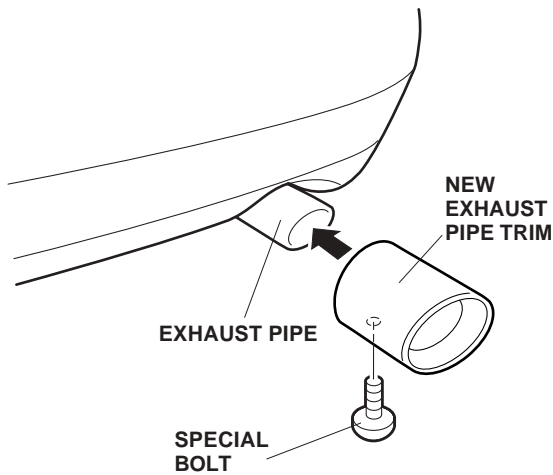


Installing the Exhaust Pipe Trims

11. If equipped, remove the exhaust pipe trim(s)(one bolt).

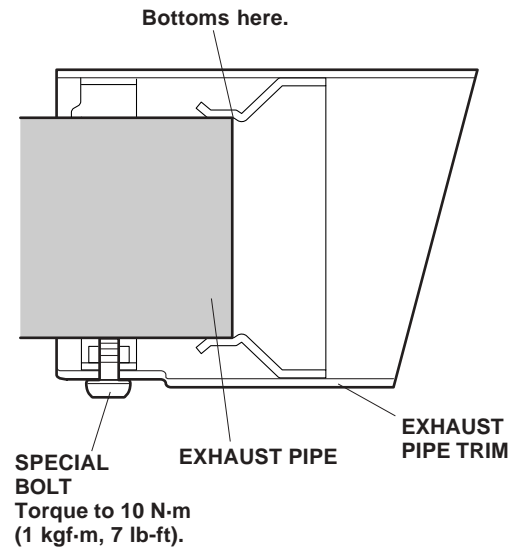


12. Get the exhaust pipe trim(s), partially thread the bolt into the new exhaust pipe trim.

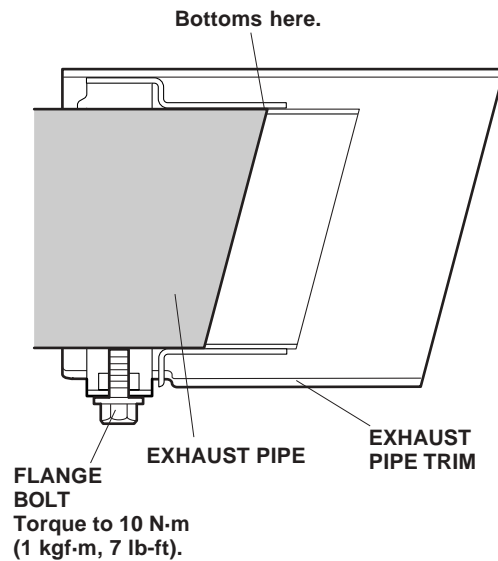


13. With the special bolt facing down, slide the exhaust pipe trim onto the exhaust pipe until it bottoms.

Dual Exhaust:



Single Exhaust:



14. While pushing the exhaust pipe trim firmly against the exhaust pipe, tighten the bolt. Torque the bolt to 10 N·m (1 kgf·m, 7 lb-ft).
15. Start the engine, and rev it up a few times. Listen for vibration from the exhaust pipe trim(s) and adjust if necessary.

Please give a copy of this page to your customer.

- Be sure to remove the rear bumper when using the towing hooks. Damage to the rear bumper, the rear under spoiler and the body frame will result if this instruction is not followed.
- Have the rear bumper removed and reinstalled by your authorized Honda dealer.

