



INSTALLATION INSTRUCTIONS

Accessory

**DOOR PANEL TRIM
(BURLWOOD LOOK)
P/N 08Z03-SDN-120A**

Application

**2003 ACCORD
2-DOOR**

Publications No.

All 24070

Issue Date

SEP 2002

PARTS LIST

Left door panel trim



Right door panel trim



SUPPLIES REQUIRED

Isopropyl alcohol

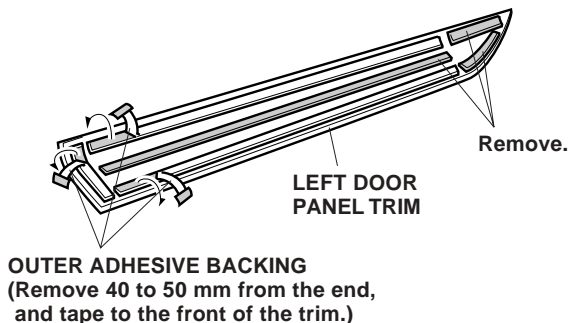
Shop towel

Masking tape

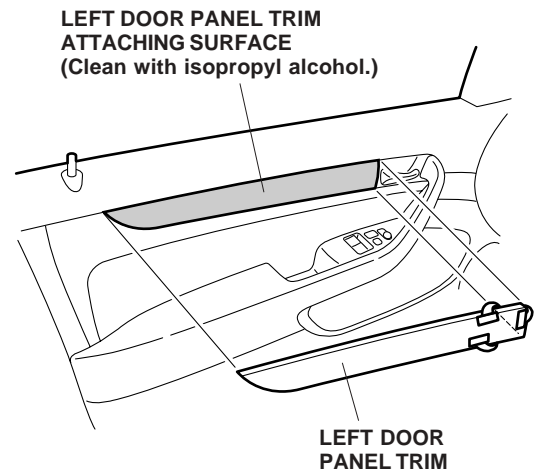
INSTALLATION

NOTE:

- The door panel trim set kit should be installed only if the outside air temperature is 60°F (15°C) or above.
 - These instructions show the left door panel trim being installed. The same procedure applies to installing the right door lining panel.
1. Using isopropyl alcohol on a shop towel, thoroughly clean the areas where the left door panel trim will attach.
 2. Remove and discard the inner adhesive backing and the small pieces of outer adhesive backings. Attach a strip of masking tape to the end of each remaining outer adhesive backing, and remove 40 to 50 mm of the adhesive backing. Fold the ends back, and tape them to the front of the trim.



3. Position the trim on the existing door panel. While applying light pressure on the trim, carefully remove the adhesive backings.



4. After installing the trim, use the palm of your hand to hold pressure against it for 30 seconds.
5. Repeat steps 1 through 4 to install the right door panel trim.

USE AND CARE

Use a sponge or soft cloth dampened with mild detergent and water solution. After cleaning, wipe with a clean, soft cloth. Do not use cleaners or polishes containing abrasive compounds to clean the door panel trim as they may damage the surface.