



INSTALLATION INSTRUCTIONS

Accessory

FRONT UNDER SPOILER

Application

2003 ACCORD
2-DOOR

Publications No.

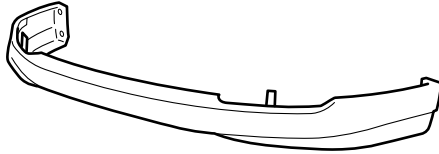
All 24076

Issue Date

SEP 2002

PARTS LIST

Front under spoiler



3 Rounded clip nuts



2 Square clip nuts



4 Washer-screws



4 Spring nuts



5 Flange bolts



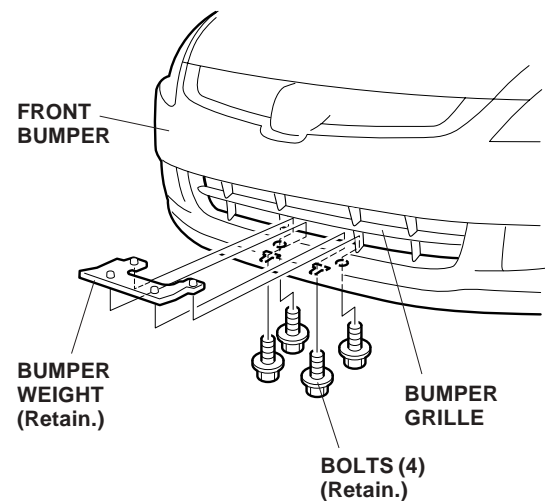
TOOLS AND SUPPLIES REQUIRED

Phillips screwdriver
Flat-tip screwdriver
Ratchet
10 mm Socket
Masking tape
Isopropyl alcohol
Shop towel

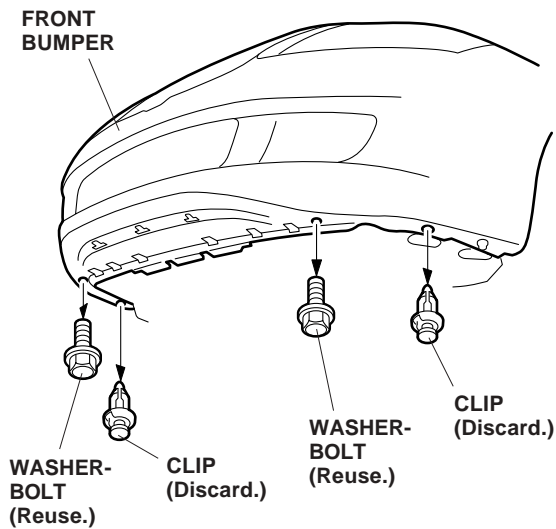
INSTALLATION

NOTE:

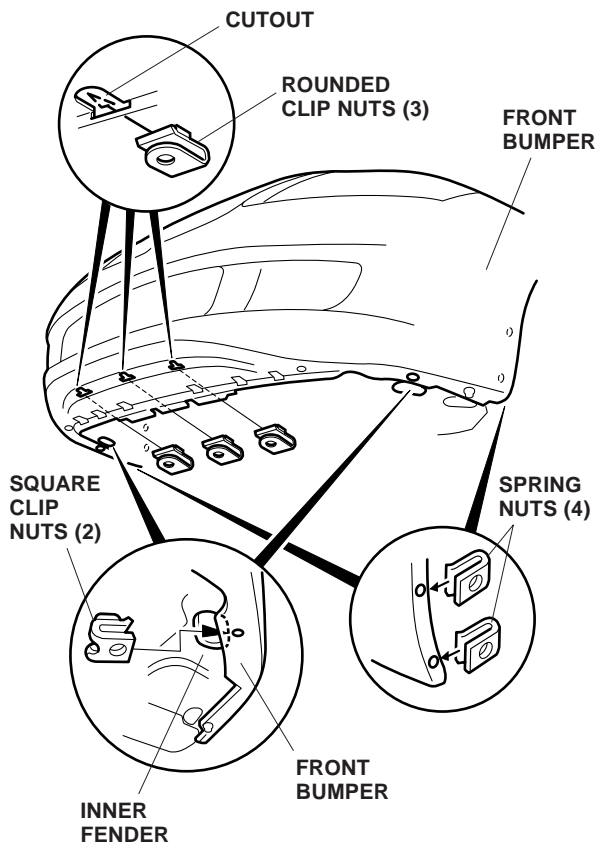
- Be careful not to damage the front bumper and the body paint finish.
 - This front under spoiler kit should be installed only if the ambient air temperature is 60°F (15°C) or above.
 - To allow the adhesive to “cure”, do not wash the car for 24 hours.
1. Remove the four bolts that fasten the bumper weight to the front bumper, and remove the bumper weight through the bumper grille.



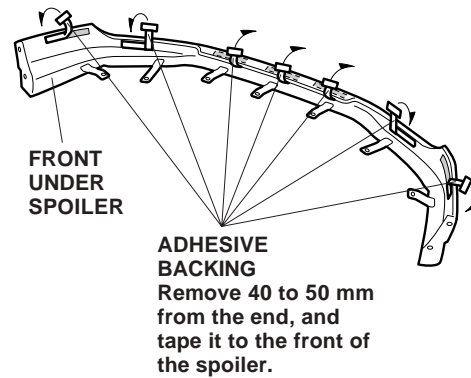
- Remove the two clips and two washer-bolts from the front bumper.



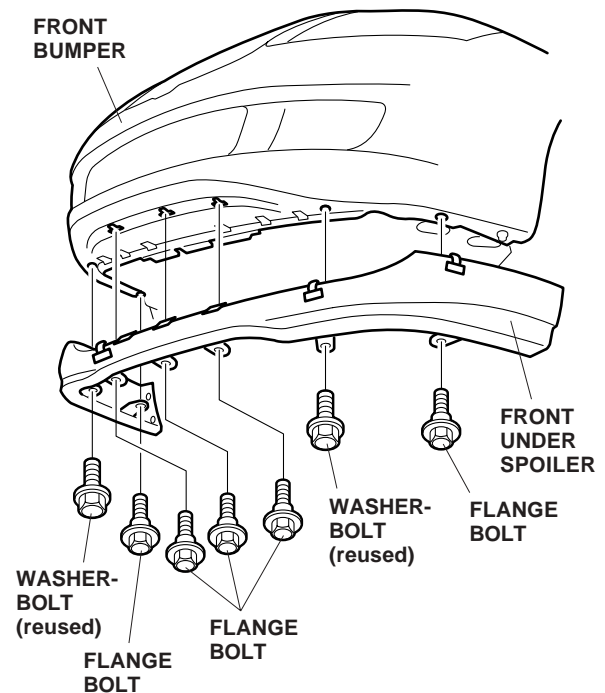
- Slide the four spring nuts (two on each side) over the holes in the front bumper. Slide the three rounded clip nuts onto the bottom flange of the front bumper through the cutouts. Slide the two square clip nuts onto the opening of the front inner fender. Note the direction of the clip nuts.



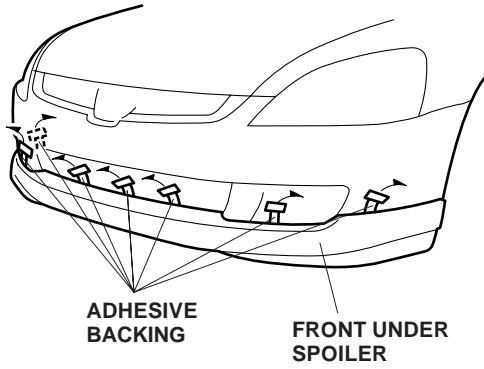
- Attach a strip of masking tape to the ends of the seven adhesive backings, and remove 40 to 50 mm of adhesive backing. Fold the ends back, and tape the ends to the front of the front under spoiler.



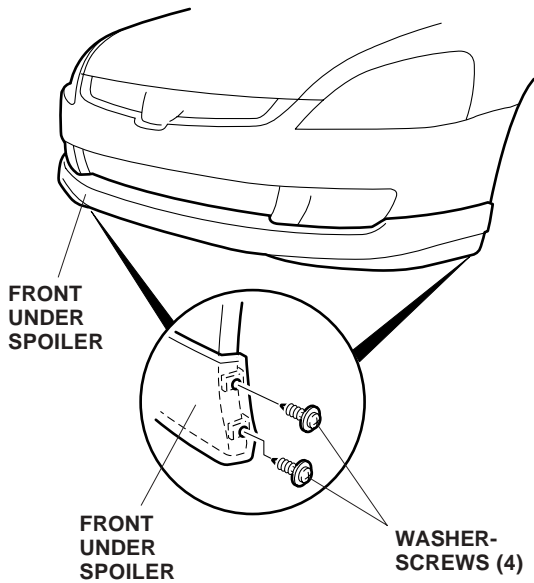
- Using isopropyl alcohol on a shop towel, thoroughly clean the area where the front under spoiler will attach.
- Position the front under spoiler on the front bumper, and install the five flange bolts and two washer-bolts removed in step 1.



- Starting in the center, work your way around the side. Hold light pressure on the front under spoiler, and carefully remove the adhesive backings from the front under spoiler in the direction shown. Using the palm of your hand, hold the front under spoiler firmly against the front bumper for 30 seconds.



- While holding the front under spoiler against the bumper, install the two washer-screws on each side.



Please give a copy of this page to your customer.

- Be sure to remove the front bumper and the front under spoiler when using the towing hooks. Damage to the front bumper, the front under spoiler and the body frame will result if this instruction is not followed.
- Have the front bumper and the front under spoiler removed and reinstalled by your authorized Honda dealer.

