



INSTALLATION INSTRUCTIONS

Accessory
PREMIUM FLOOR MATS
P/N 08P16-SDN-110
P/N 08P16-SDN-120

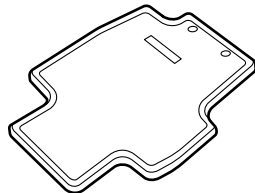
Application
2003 ACCORD
2-DOOR

Publications No.
All 24074
Issue Date
SEP 2002

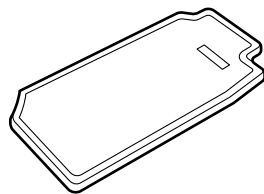
Keep this information in the glove box for future reference.

PARTS LIST

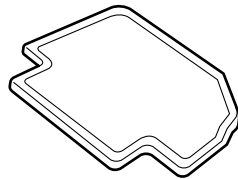
Driver's side floor mat



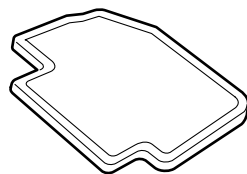
Passenger's side floor mat



Left rear floor mat



Right rear floor mat

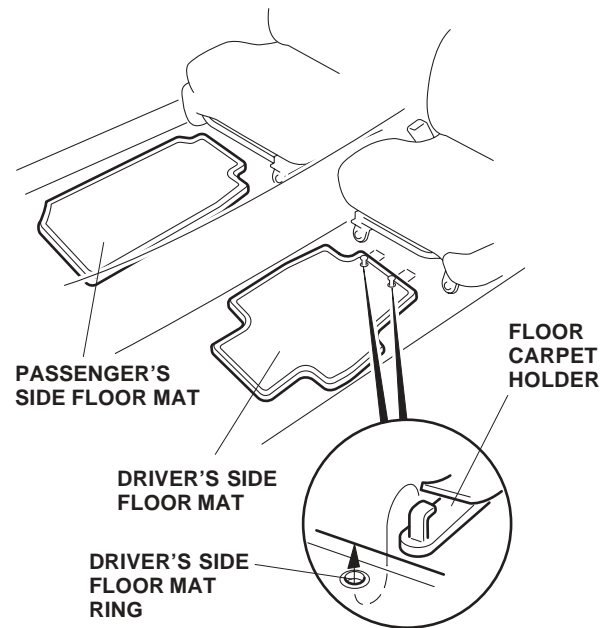


INSTALLATION

NOTE:

- Before installing, identify each floor mat.
- Remove the standard floor mats before installing these floor mats.
- The floor mat holders are required for the driver's side of the car; the holder prevents the driver's side floor mat from sliding forward and interfering with the pedals.

1. Install the driver's side floor mat by placing the rings in the floor mat around the two holders on the floor carpet.



2. Install the passenger's side floor mat on the floor carpet.
3. Install the rear floor mats on the floor carpet.

