

**INSTALLATION
INSTRUCTIONS**

Accessory

**EXHAUST PIPE TRIM
P/N 08F53-SDP-100**

Application

**2003 ACCORD
2-DOOR**

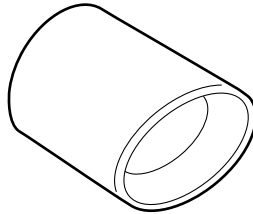
Publications No.

All 24072

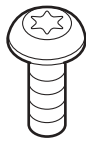
Issue Date

SEP 2002**Keep this information in the glove box for future reference.****PARTS LIST**

2 Exhaust pipe trims



2 Special bolts

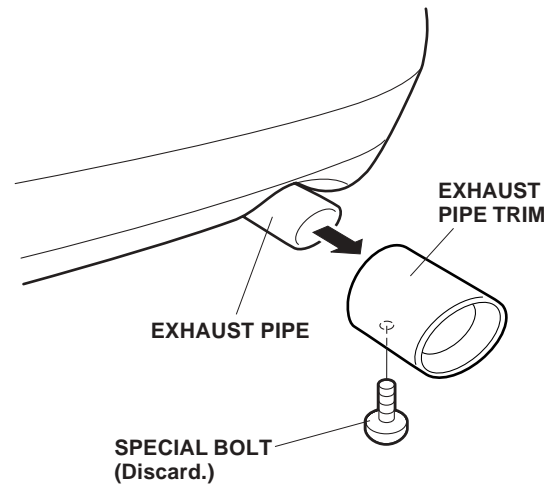
**TOOLS REQUIRED**

T-30 Torx driver

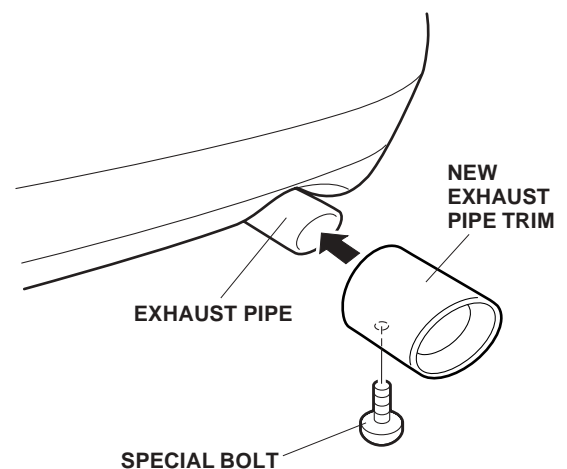
INSTALLATION**NOTE:**

- Allow the exhaust pipe to cool down before you install the exhaust pipe trims.
- These instructions show the right exhaust pipe trim being installed. The same procedure applies to installing the left exhaust pipe trim.
- This exhaust pipe finisher is for use with the rear under spoiler only.

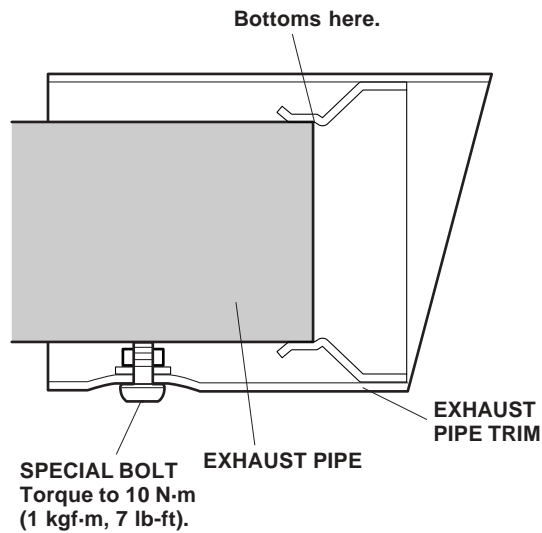
1. Remove the special bolt that fastens the existing exhaust pipe trim to the exhaust pipe, and remove the exhaust pipe trim.



2. Partially thread the special bolt supplied into the new exhaust pipe trim.



3. With the special bolt on the bottom, slide the exhaust pipe trim onto the exhaust pipe until it bottoms.



4. While pushing the exhaust pipe trim firmly against the exhaust pipe, tighten the special bolt. Torque to 10 N·m (1 kgf·m, 7 lb-ft).
5. Repeat steps 1 through 4 to install the other exhaust pipe trim.
6. Start the engine, and rev it up a few times. Listen for vibration from the exhaust pipe trim and adjust if necessary.