



INSTALLATION INSTRUCTIONS

Accessory

**SURFBOARD ATTACHMENT
P/N 08L05-SCV-100**

Application

2006 RIDGELINE

Publications No.

All 28629

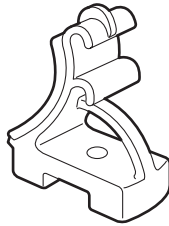
Issue Date

FEB 2005

Put this information in the glove box with the vehicle owner's manual.

PARTS LIST

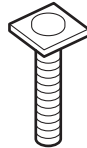
4 Bases



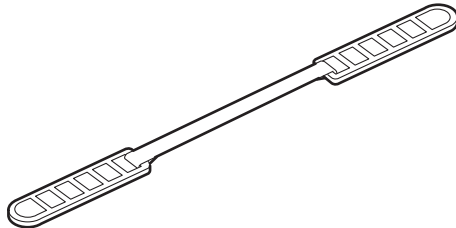
4 Knobs



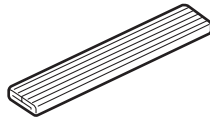
4 Bolts



2 Straps



2 Strap protectors



4 Spacers



4 Washers



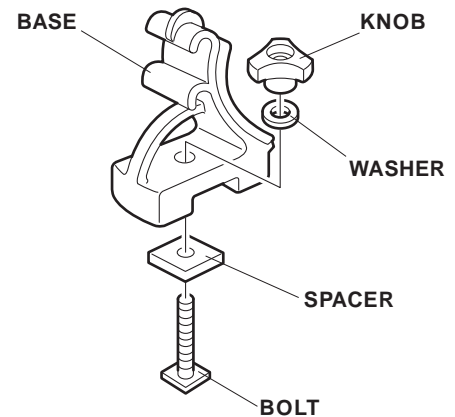
TOOLS REQUIRED

Phillips screwdriver

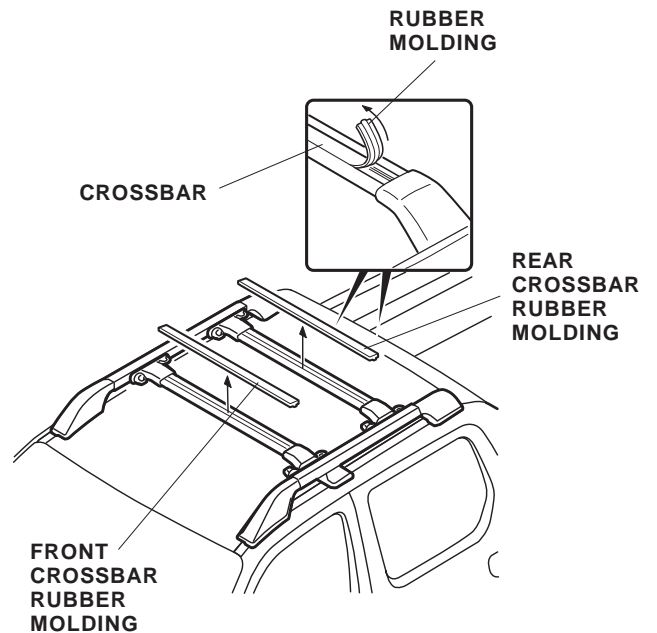
INSTALLATION

NOTE: Be careful not to damage the body paint finish.

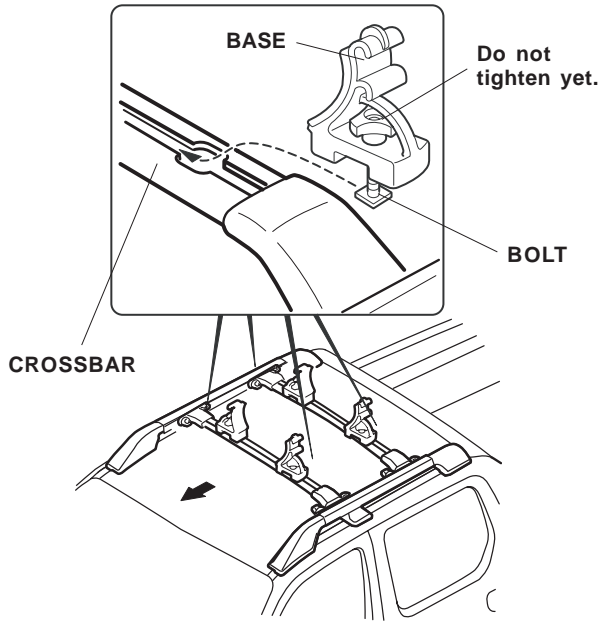
1. Loosely install the knobs, washers, spacers, and bolts into the bases as shown.



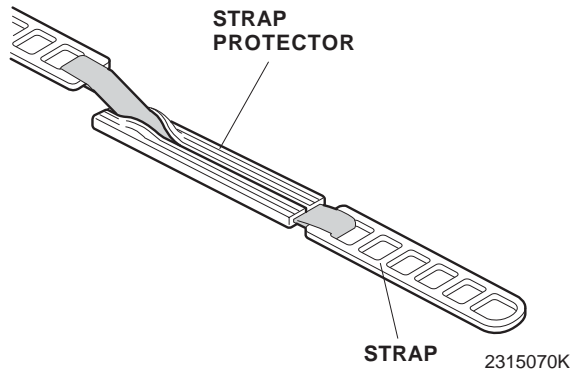
2. Remove the rubber moldings from the front and rear roof rack crossbars.



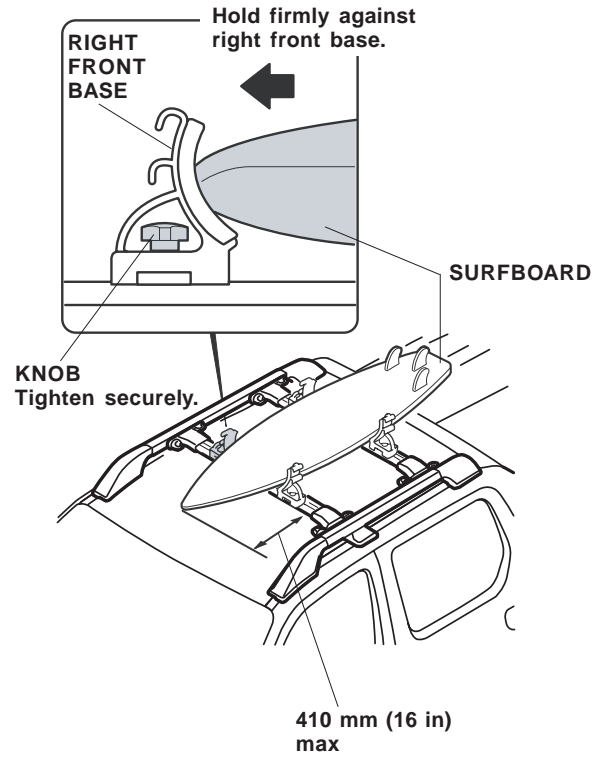
3. Insert the bolt head from the surfboard attachment into the channel of the crossbar. Do not tighten the bolt at this time.



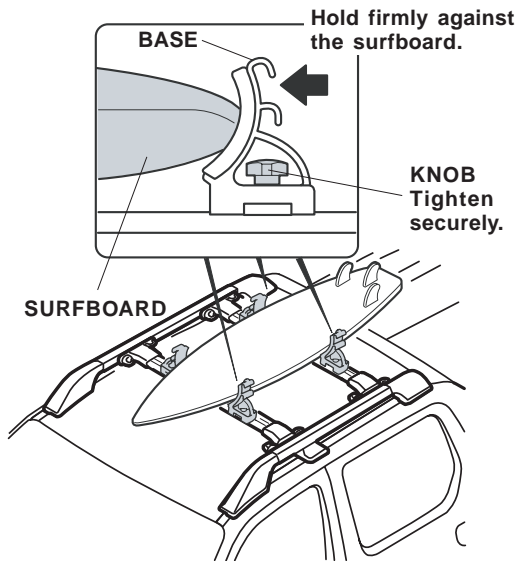
4. Attach the strap protectors to the straps.



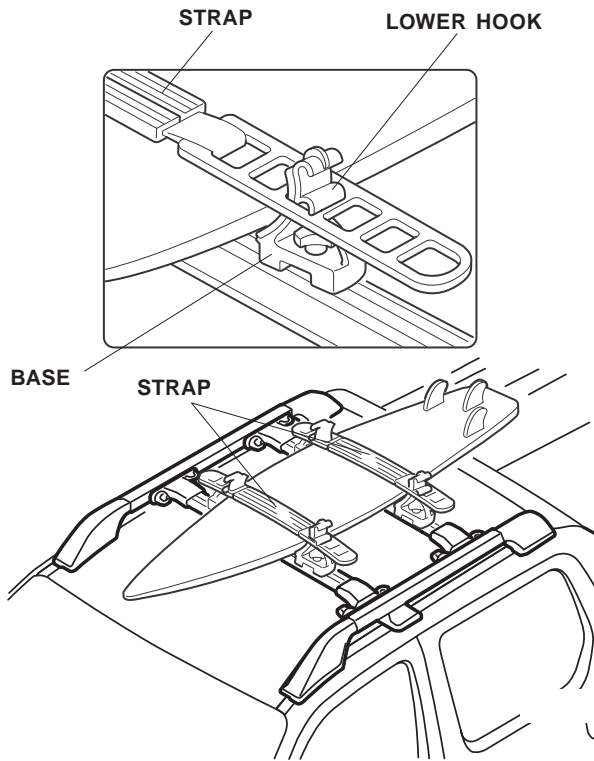
5. Tighten the right front base firmly to the crossbar. Mount the surfboard to the base with the nose forward and the fin up. Position the edge of the board so that it sits on the pad of the base. With no more than 410 mm (16 in.) of the surfboard overhanging the front crossbar.



- Position the left front base against the edge of the surfboard and tighten firmly. Position the rear bases against the rear of the surfboard firmly and tighten the knobs.



- Fasten the straps tightly across the surfboard using the lower hooks on each base.



- Recheck that the bases are installed securely, and tighten them if necessary.
- To prevent excess wind noise, cut each rubber molding, and install the cut pieces into the grooves in the crossbars.

