



INSTALLATION INSTRUCTIONS

Accessory

REAR CARGO TRAY
P/N 08U45-SJC-100

Application

2006 RIDGELINE

Publications No.

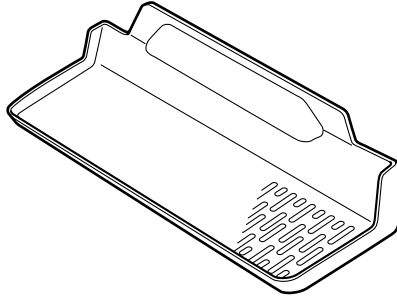
A11 28597

Issue Date

FEB 2005

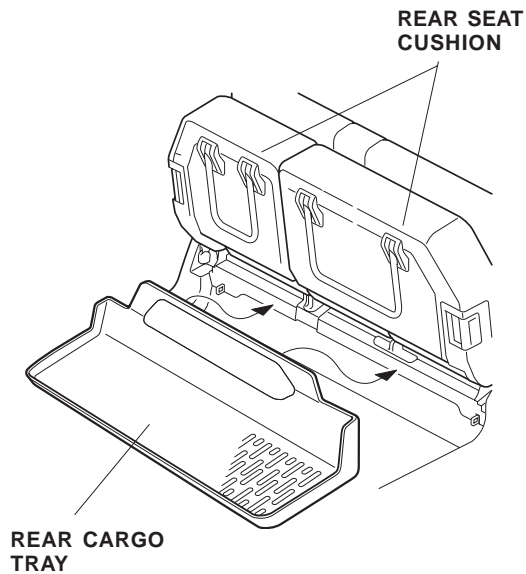
PARTS LIST

Rear cargo tray



INSTALLATION

1. Raise both rear seat cushions.
2. Position the rear cargo tray on the floor mat under the seat cushions.



3. Return the rear seat cushions to their original positions.