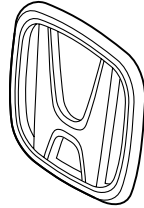
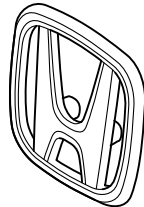


PARTS LIST

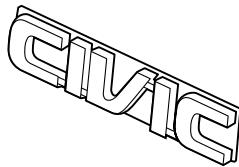
Front gold "H" emblem



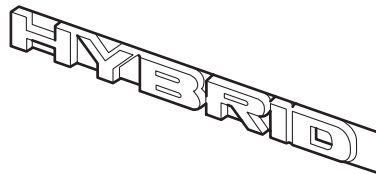
Rear gold "H" emblem



Rear gold "CIVIC" emblem



Rear gold "HYBRID" emblem



2 Push nuts



TOOLS AND SUPPLIES REQUIRED

- Stubby Phillips screwdriver
- Flat tip screwdriver
- Diagonal cutters
- Isopropyl alcohol
- Shop towel
- String
- Masking tape
- Long nose pliers
- Blanket

INSTALLATION

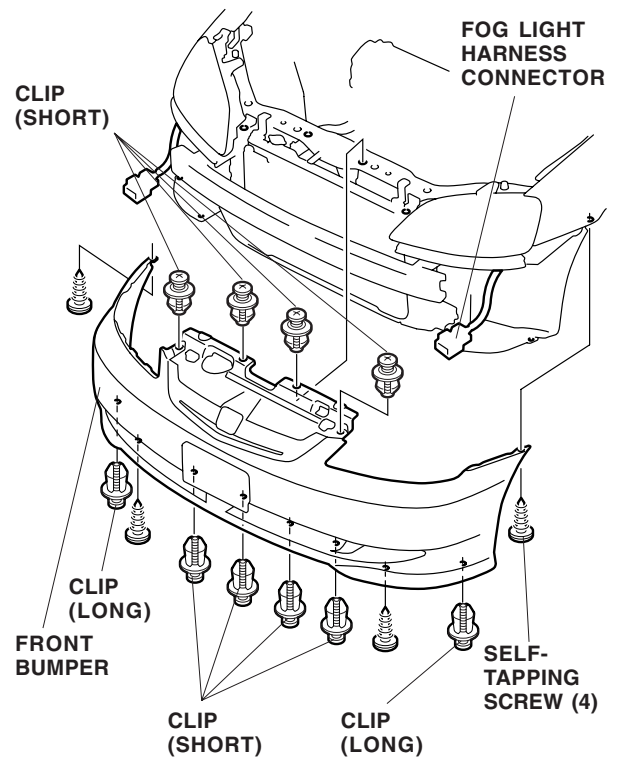
Customer Information: The information in this installation instruction is intended for use only by skilled technicians who have the proper tools, equipment, and training to correctly and safely add equipment to your vehicle. These procedures should not be attempted by "do-it-yourselfers."

NOTE:

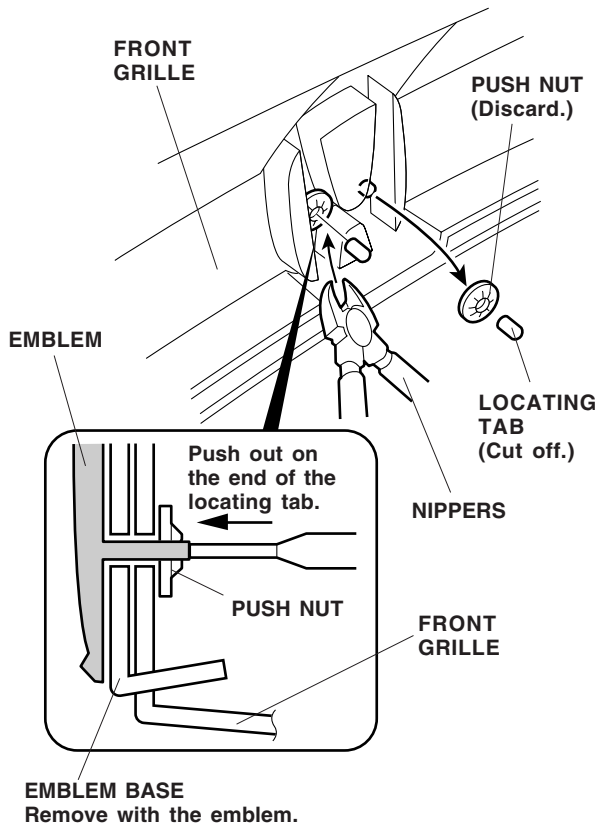
- Be careful not to damage the body finish when you remove and install the emblems.
- This emblem kit should be installed only when the ambient air temperature is 60°F (15°C) or above.
- To allow the adhesive to cure, do not wash the vehicle for 24 hours.

Installing the Front "H" Emblem

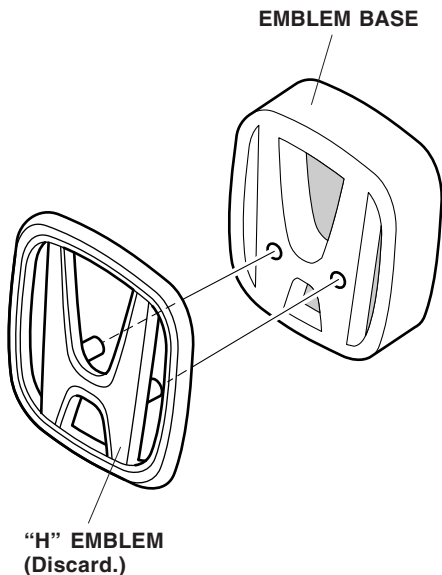
1. Remove the eight short clips securing the front bumper (four from the top and four from the bottom), two long clips, and four self-tapping screws, (two from the bottom and two from the ends) then pull the bumper out toward you. Disconnect the fog light connectors, and remove the front bumper.



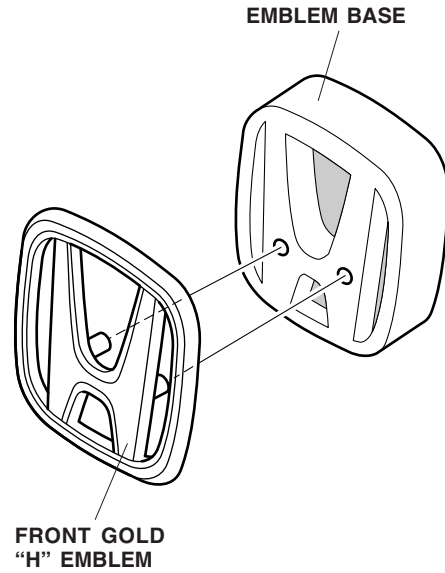
2. Behind the bumper grille, cut off the locating tabs and remove the emblem base. Push out on the ends of the locating tabs with the end of a flat-tip screwdriver.



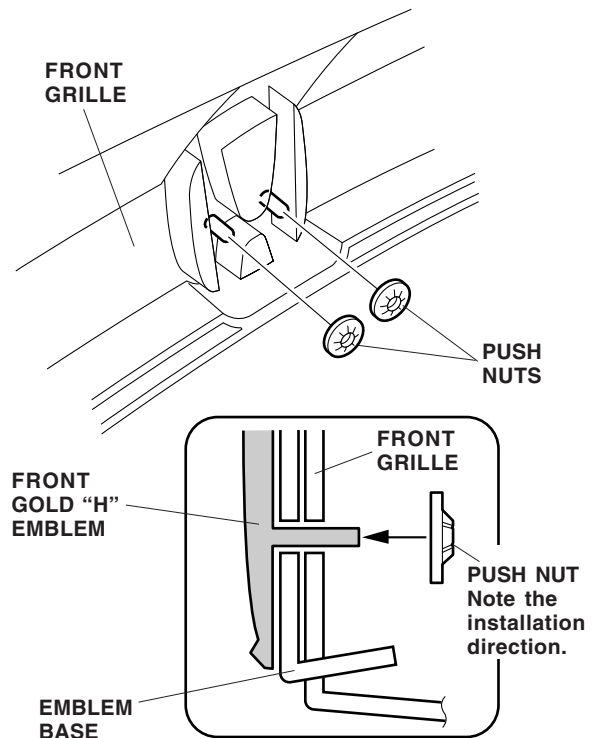
3. Remove the existing front "H" emblem from the emblem base. Using isopropyl alcohol, clean the area where the emblem was removed.



4. Position the front gold "H" emblem on the emblem base by aligning the locating tabs with the holes in the emblem base.

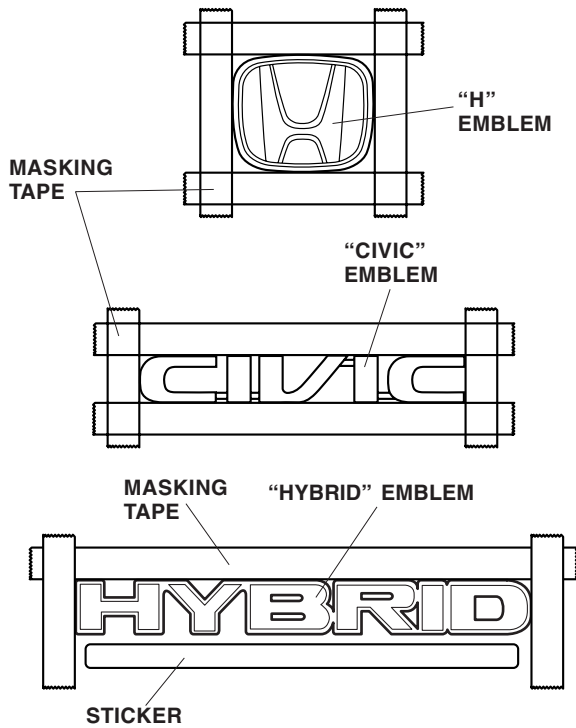


5. Attach the front gold "H" emblem and emblem base to the front grille by aligning the locating tabs with the holes in the front grille. Slide a push nut flat side first onto each locating tab.
6. Reinstall the front bumper.

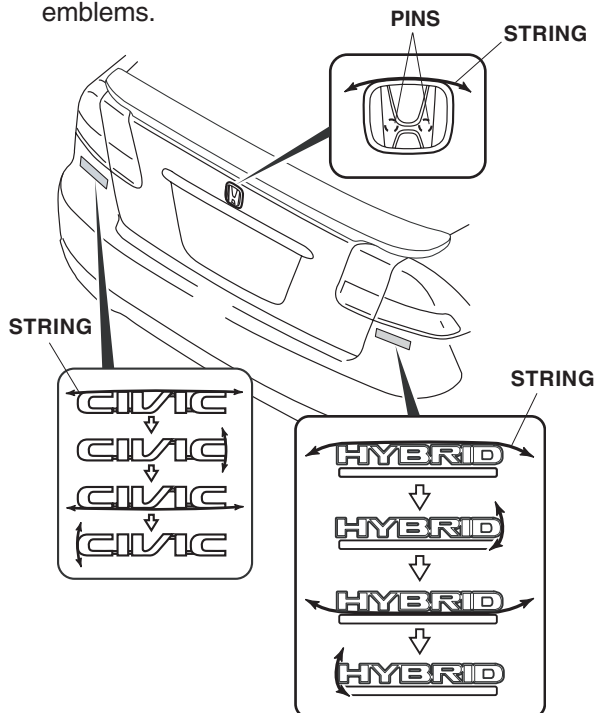


Installing the Rear "H," "CIVIC," and "HYBRID" Emblems

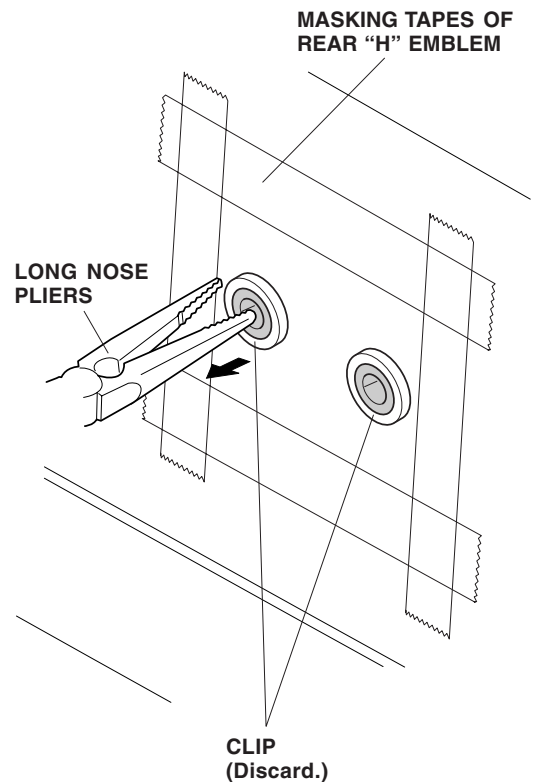
7. Mark the locations of the existing "H," "CIVIC," and "HYBRID" emblems by applying masking tape along the four edges of each emblem.



8. Remove the original rear emblems by cutting the outer edges with a piece of string.
 - Note the locations of the locating pins of the emblems.

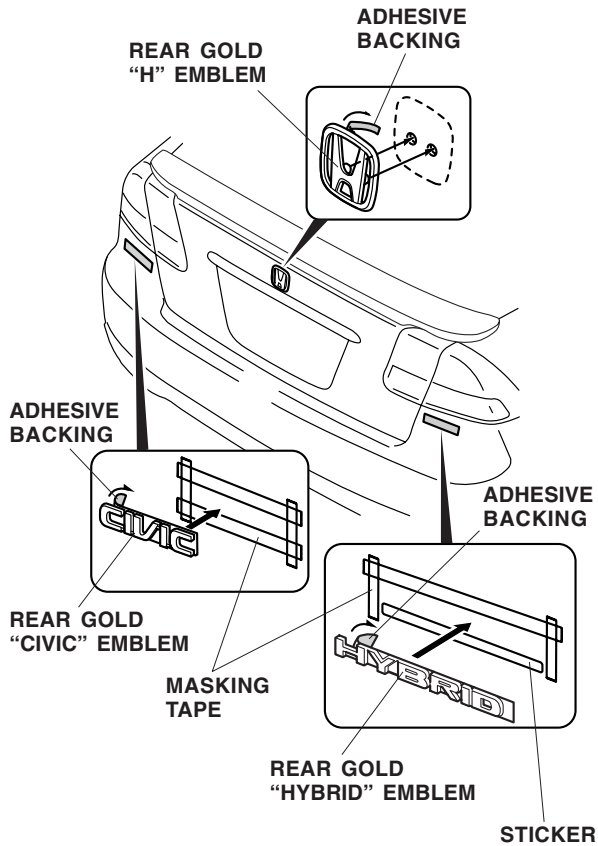


9. Remove the two clips from the trunk lid. Be careful not to damage the body.



10. Using isopropyl alcohol on a shop towel, clean the areas where the emblems were removed.

11. Remove the adhesive backings from the gold "H" emblem. Align the locating pins on the gold "H" emblem with the holes in the trunk lid, and attach the emblem to the trunk lid.



12. Remove the adhesive backings from the gold "CIVIC" and "HYBRID" emblem, and attach the emblems to the trunk lid.
13. Press each emblem firmly against the body with the palm of your hand for at least 30 seconds.
14. Remove the masking tape.

NOTE: After the emblem kit is installed, tell your customer not to wash the vehicle for 24 hours to give the adhesive time to cure.