



# INSTALLATION INSTRUCTIONS

Accessory

**GOLD TRUNK MOLDING  
P/N 08F21-S5D-100G**

Application

**2005 CIVIC  
4-DOOR**

Publications No.

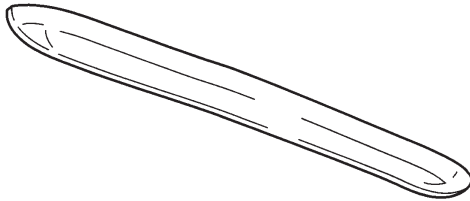
**All 27892**

Issue Date

**AUG 2004**

## PART LIST

Gold trunk molding



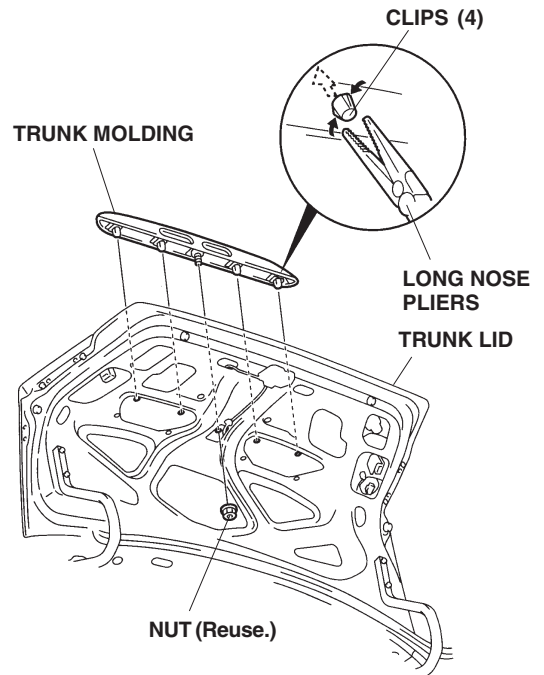
## TOOLS REQUIRED

Long nose pliers  
8 mm Socket  
Ratchet  
Extension

## INSTALLATION

**NOTE:** Be careful not to damage the body finish when installing the gold trunk molding.

1. Open the trunk lid, and remove the center nut from the existing trunk molding.



2. Using long nose pliers, remove the existing trunk molding by removing the four clips.
3. Position the gold trunk molding on the trunk lid, and install the four clips. Reinstall the center nut you removed in step 1.

