



INSTALLATION INSTRUCTIONS

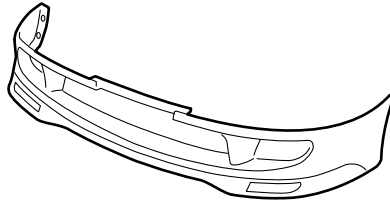
Accessory
FRONT UNDER SPOILER

Application
**2005 CIVIC
2-DOOR**

Publications No.
All 27886
Issue Date
AUG 2004

PARTS LIST

Front under spoiler



6 Clips



4 Self-tapping screws



4 Spring nuts



TOOLS AND SUPPLY REQUIRED

Flat-tip screwdriver

Phillips screwdriver

Ratchet

10 mm Socket

Blanket

Isopropyl alcohol

Shop towel

Double-sided adhesive tape

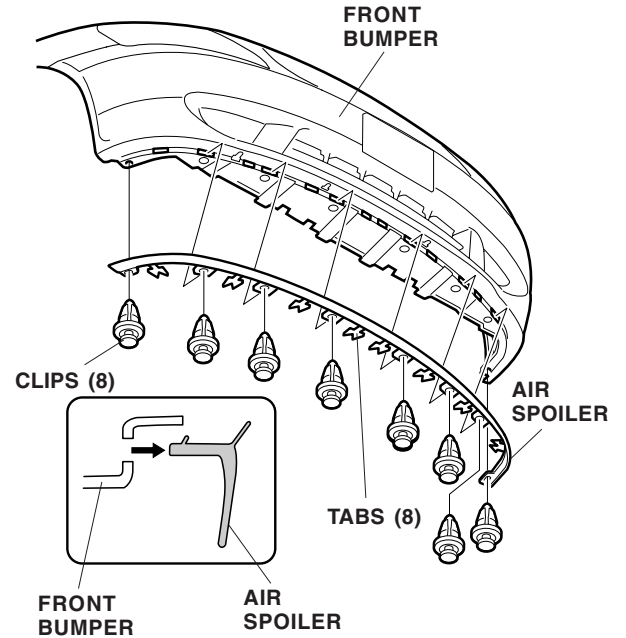
Electric drill motor

5 mm Drill bit

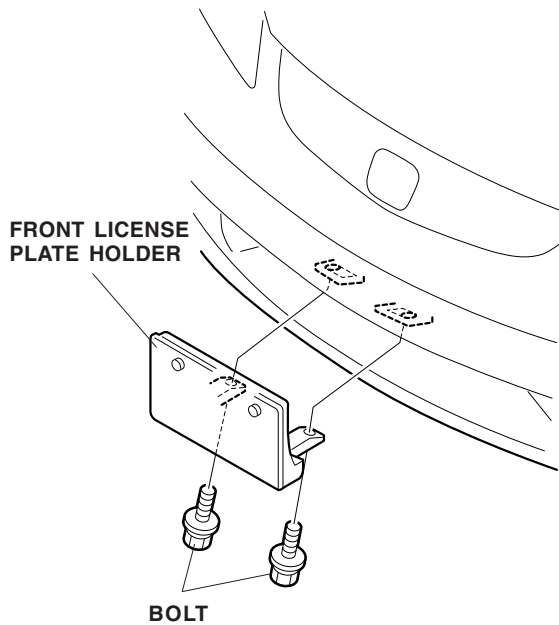
File

INSTALLATION

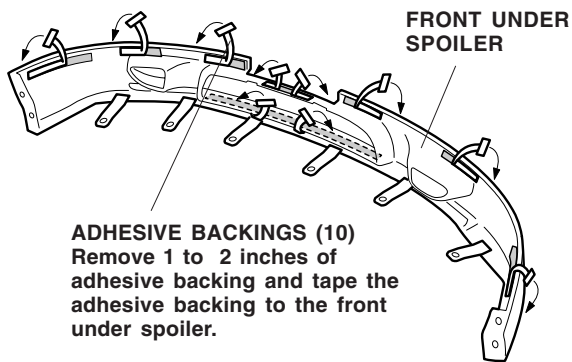
1. If equipped, remove the front air spoiler (eight clips and eight tabs). Set the air spoiler and clips aside; they will not be reused.



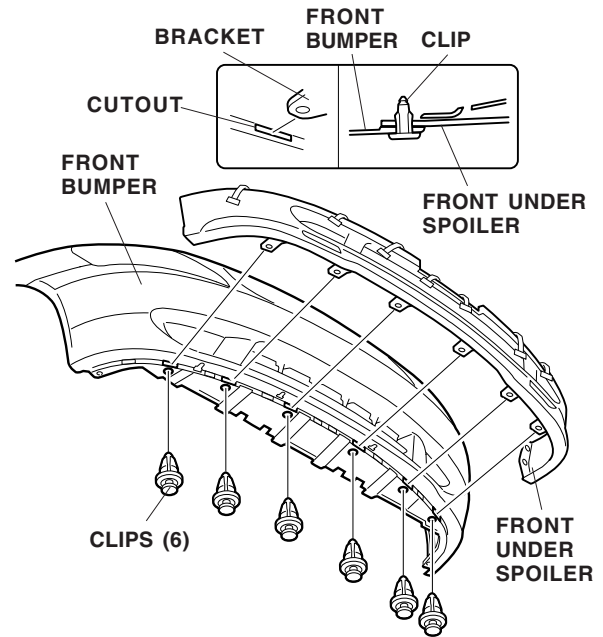
- Remove the front license plate holder (two bolts).



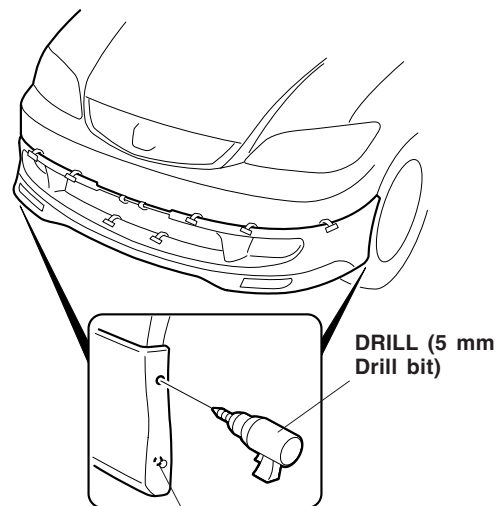
- On the inside of the front under spoiler, remove 1 to 2 inches of the adhesive backing from the end of each double-sided adhesive tape; fold each piece back, and tape the adhesive backing to the front surface of the front under spoiler.



- Using the isopropyl alcohol on a shop towel, clean the areas where the front under spoiler will be installed.

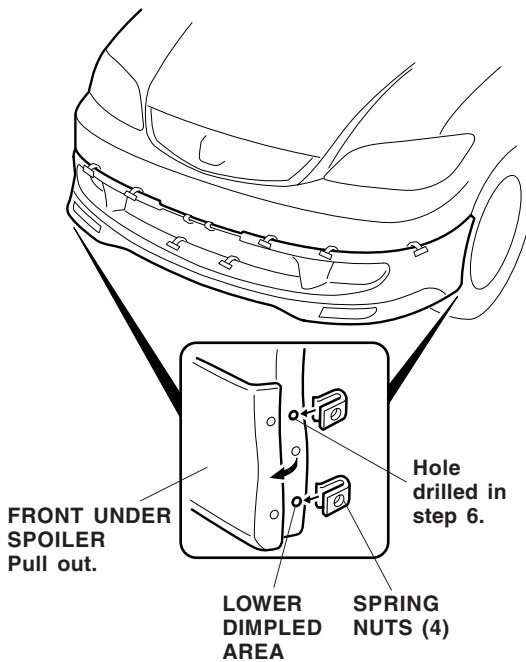


- Slide the brackets on the front under spoiler into the cutouts in the front bumper, and install the six clips.
- With the help of an assistant, align the lower holes in the right and left ends of the under spoiler with the recesses in the front bumper. While wearing eye protection, drill a 5 mm hole through the bumper at each upper hole in the under spoiler. After drilling, remove any burrs from the edges of the holes with a file.

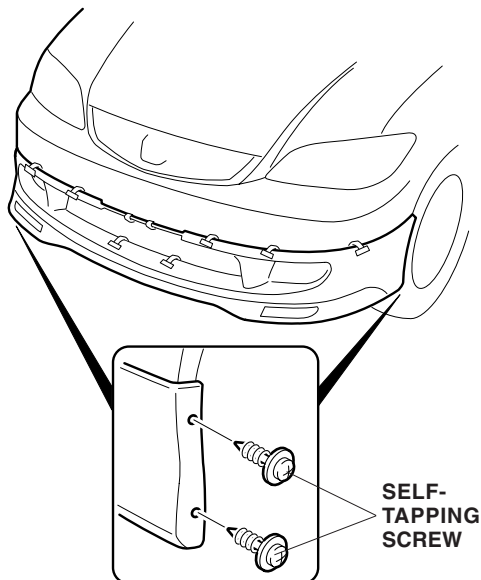


Align the lower holes in the under spoiler with the recesses in the front bumper.

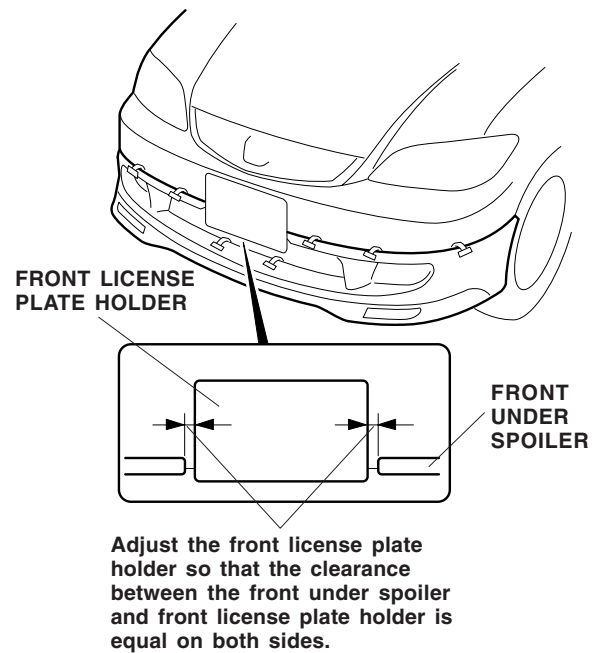
- Pull out on the right and left ends of the under spoiler, and slide one spring nut over the two upper holes you drilled, and one spring nut over the lower dimple in the front bumper on each side. Note the direction of the spring nuts.



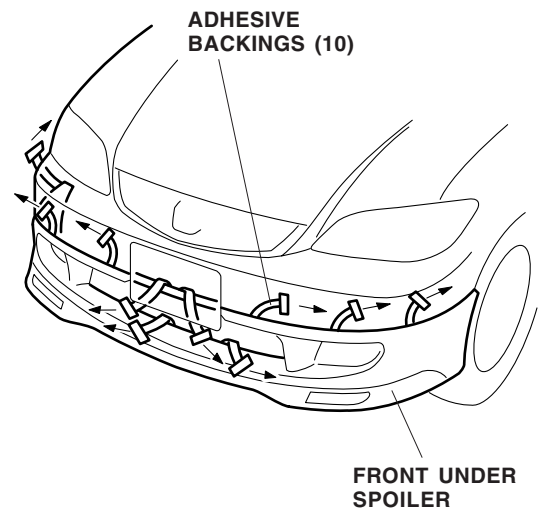
- Install the four self-tapping screws (two on each side) to hold the spoiler in place. Do not tighten the self-tapping screws yet.



- Reinstall the front license plate holder to the front bumper.



- Adjust the front license plate holder until the clearance between the front license plate holder and front under spoiler is equal on both sides.
- While holding pressure on the front under spoiler carefully remove the adhesive backing.



- Securely tighten the four self-tapping screws installed in step 8.

Please give copy of this page to your customer

- When towing a vehicle, follow the instructions described in the vehicle's Owner's Manual.
- Be sure to remove both the front bumper and front under spoiler when using the towing hook. Failure to observe this precaution can damage the vehicle, the front bumper and the front under spoiler.
- Actual vehicle may be different from this illustration.

